

## 2 PIECES CARBON STEEL TRUNNION BALL VALVE FLANGED CLASS 600 JC LONG PATTERN (ASME B16.10 TABLE 3-1) DEVLON SEAT

2 pieces split body trunnion ball valve JC with PTFE bearing, full bore for Chemical industries, petrochemical industries, hydraulic installation, heating, water distribution, compressed air.

Double block and bleed :

- To control the double tightness upstream/downstream of the valve
- Maximum safety for maintenance working downstream the valve

Low torque and high tightness even at low pressure. Seat installed on Inconel springs simple piston effect type (double piston effect on request).

Ball valve with firesafe certificate ISO 10497 and API 607 to reduce risks in case of fire.

Compatible with explosive atmosphere, ATEX Zone 1&21 and Zone 2&22 thanks to the antistatic device.

Handling possible with locking device, gearbox, oval handwheel or stem extension.

Thanks to the ISO 5211 plate, an actuator can be installed on the valve.



JC  
VALVES



**NACE MR01-75**

**Size :** DN50 to DN300 ( NPS 2" to 12" )  
**Connection :** Flanges Class 600 RF  
**Min Temperature :** -29°C  
**Max Temperature :** +125°C  
**Max Pressure :** 100 Bars  
**Specifications :** Trunnion ball valve on PTFE bearing  
 ISO 5211 mounting pad  
 Anti blow-out stem, full bore  
 Simple piston effect  
 Fire safe ISO 10497 and API 607

**Materials :** Forged carbon steel ASTM A105N

## 2 PIECES CARBON STEEL TRUNNION BALL VALVE FLANGED CLASS 600 JC LONG PATTERN (ASME B16.10 TABLE 3-1) DEVLON SEAT

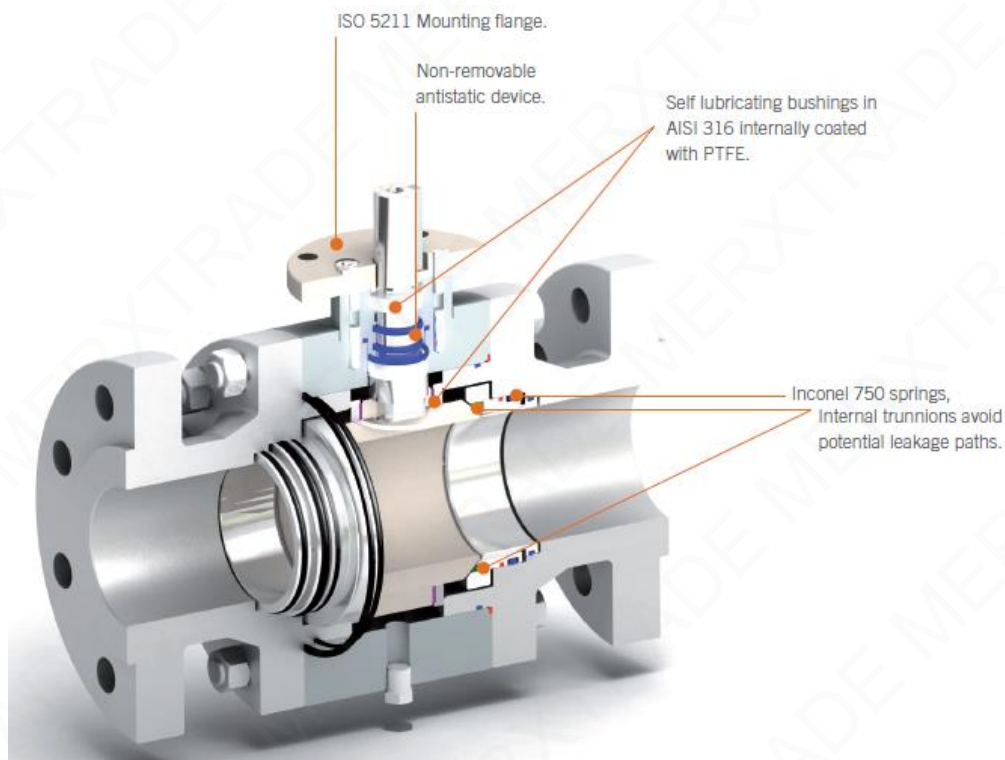
### SPECIFICATIONS :

- Trunnion ball valve on PTFE bearing
- DEVLON seat
- Forged carbon steel body
- Quadruple tightness on stem
- Inconel springs on seat
- Simple piston effect (double piston effect on request)
- With drain and blowhole
- Full bore
- Anti blow-out stem
- Locking device on request
- ISO 5211 mounting pad
- 3 pieces type
- Class 600 Flanges R.F.
- Antistatic device
- Fire safe ISO 10497 and API 607
- Fugitive emissions EN 15848-1 : 2006 and TA LUFT VDI 2440
- Graphite packing + 3 FKM O rings on stem
- Painting color RAL 5009, 15-50µ thickness

### USE :

- Chemical industries, petrochemical industries, hydraulic installation, heating, water distribution, compressed air
- Min and max Temperature Ts : -29°C to + 125°C
- Max Pressure Ps : 100 bars ( see graph )
- Vacuum 10<sup>-2</sup> torr
- Compressed air (ambient temperature) : 16 bars maximum

### SPECIFICATIONS :



**2 PIECES CARBON STEEL TRUNNION BALL VALVE FLANGED CLASS 600 JC  
LONG PATTERN (ASME B16.10 TABLE 3-1) DEVLON SEAT**

**SPECIFICATIONS (SUITE) :**

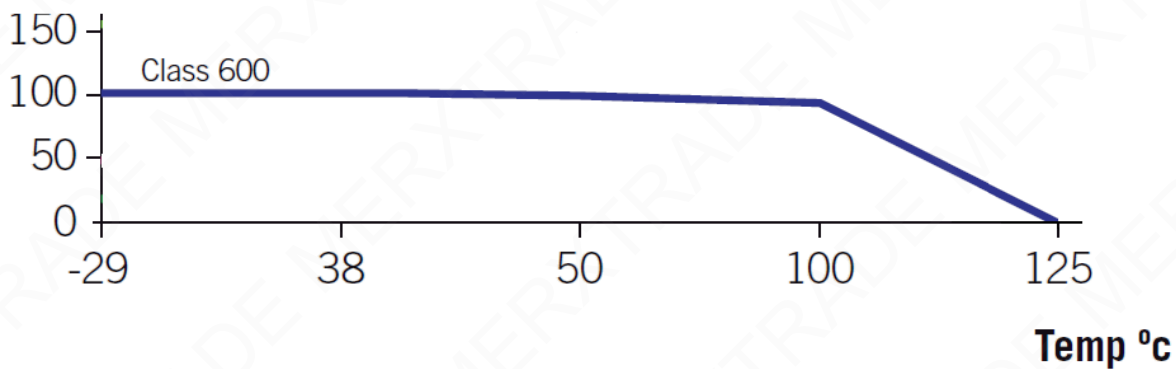


**ON REQUEST**



**PRESSURE / TEMPERATURE GRAPH ( STEAM EXCLUDED ) :**

Pressure (Bar)



**2 PIECES CARBON STEEL TRUNNION BALL VALVE FLANGED CLASS 600 JC  
LONG PATTERN (ASME B16.10 TABLE 3-1) DEVLON SEAT**

**FLOW COEFFICIENT Kvs (in m3/h) :**

NPS ( " )	2"	3"	4"	6"	8"	10"	12"
DN (mm)	50	80	100	150	200	250	300
Kvs ( m3 / h )	366	938	1465	3297	5861	9454	13631

**TORQUE VALUE ( in Nm without safety coefficient ) at 100 bars :**

NPS ( " )	2"	3"	4"	6"	8"	10"	12"
DN (mm)	50	80	100	150	200	250	300
Torque (Nm)	125	373	538	1343	2040	2836	3334

**RANGE :**

- Trunnion Carbon steel body ball valve with handle flanged Class 600 **Ref. 6060AIDV** from DN50 to DN100 (NPS 2" to 4")
- Trunnion Carbon steel body ball valve with gearbox flanged Class 600 **Ref. 6060AIDV** from DN150 to DN300 (NPS 6" to 12")

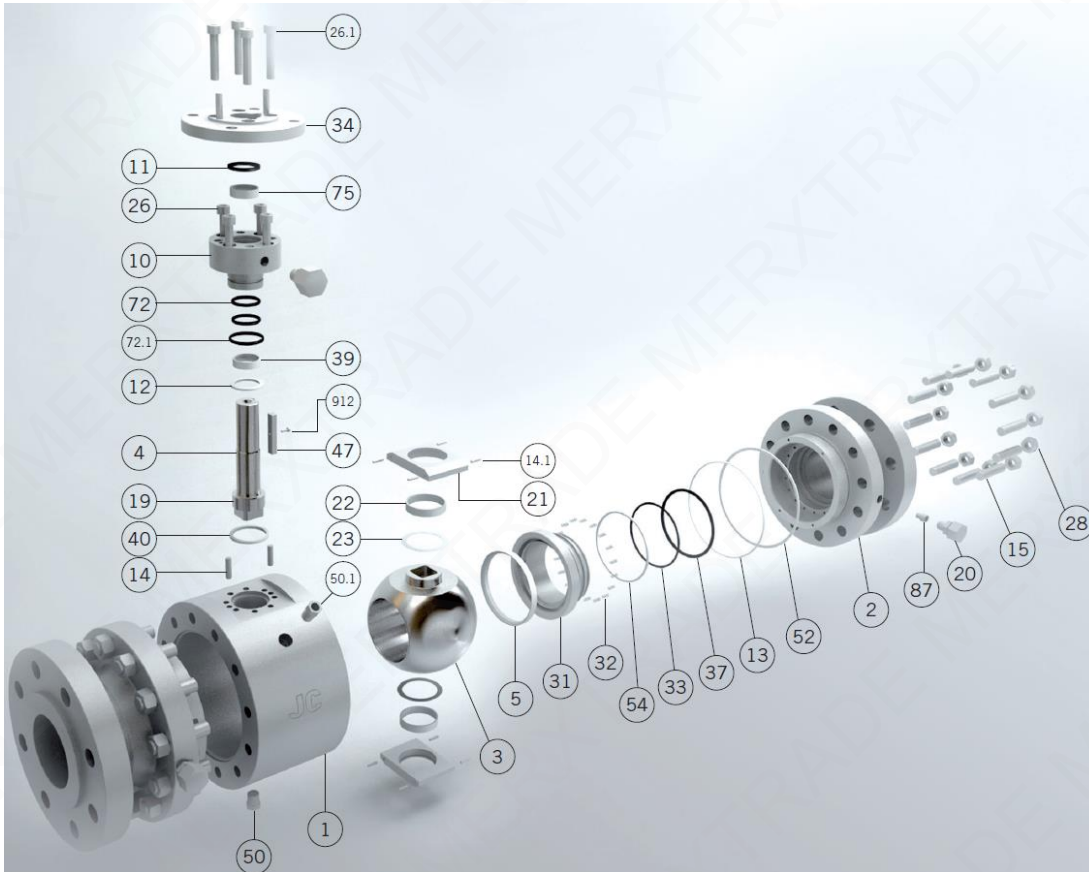
**ENDS:**

- Class 600 R.F. Flanges



**2 PIECES CARBON STEEL TRUNNION BALL VALVE FLANGED CLASS 600 JC  
LONG PATTERN (ASME B16.10 TABLE 3-1) DEVLON SEAT**

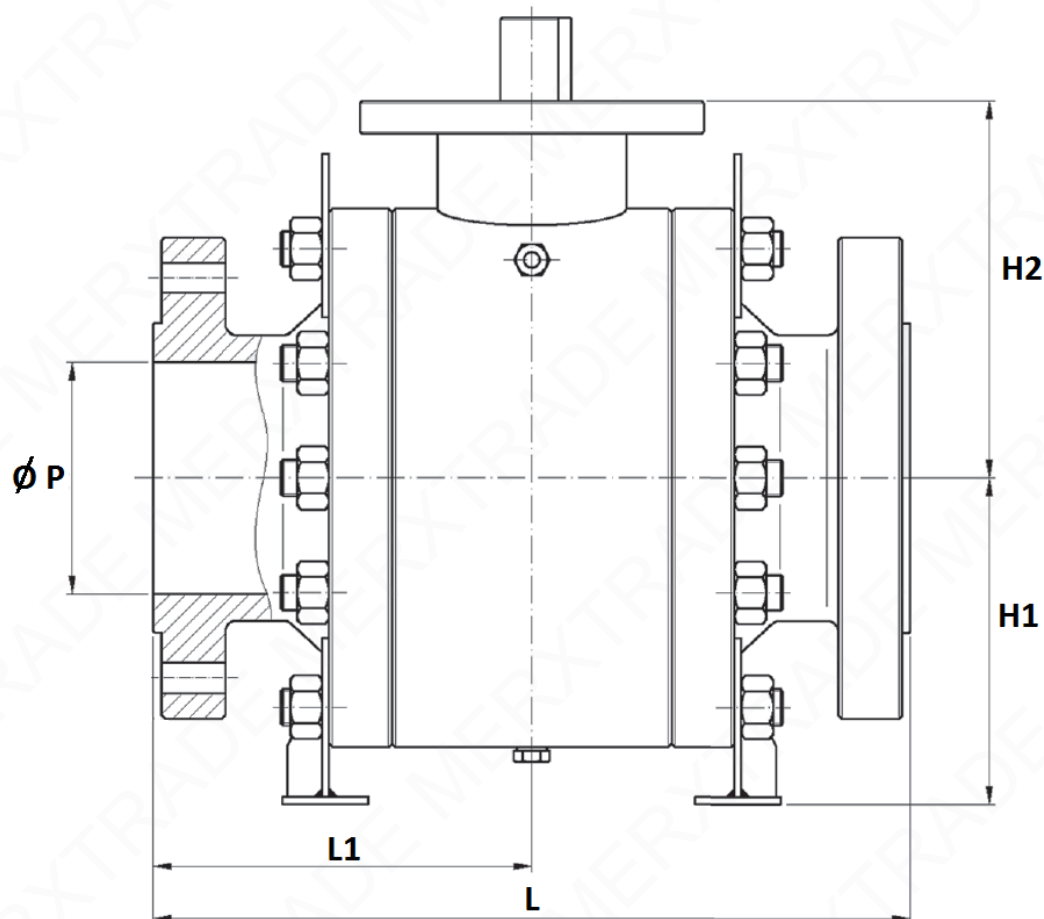
**MATERIALS :**



Item	Designation	Materials	Item	Designation	Materials
1	Body	ASTM A105N	28	Nut	A 194 Gr.2HM zinc dichr.
2	Ends		31	Seat	A479 TP.316/A182 F316
3	Ball	ASTM A351 CF8M	32	Spring	Inconel – 750
4	Stem	ASTM A479 Tp.316	33	O ring	FKM
5	Seat	DEVLON	34	Flange	ASTM A105N
10	Packing gland	ASTM A105N	37	O ring	FKM
11	Packing	Graphite	39	Stem bushing	AISI 316 with inside in PTFE
12	Thrust washer	PTFE filled with 25% glass fiber	40	Gasket	Graphite
13	Body gasket	Graphite	47	Pin	Carbon steel
14-14.1	Pin	Carbon steel	50	Draining cap	ASTM A105
15	Stud	A 193 Gr.B7M zinc dichr.	50.1	Cap	
19	Antistatic device	Stainless steel	52	O ring	FKM
20	Sealant injector	Carbon steel	54	Seat carrier seal	Graphite
21	Ball trunnion	A479 Tp.316	72-72.1	O ring	FKM
22	Trunnion bearing	AISI 316 with inside in PTFE	75	Stem bushing	AISI 316 with inside in PTFE
23	Bearing	PTFE	87	Check valve	Stainless steel
26-26.1	Bolt	A 193 Gr.B7M zinc dichr.	912	Bolt	DIN 912 A2

**2 PIECES CARBON STEEL TRUNNION BALL VALVE FLANGED CLASS 600 JC  
LONG PATTERN (ASME B16.10 TABLE 3-1) DEVLON SEAT**

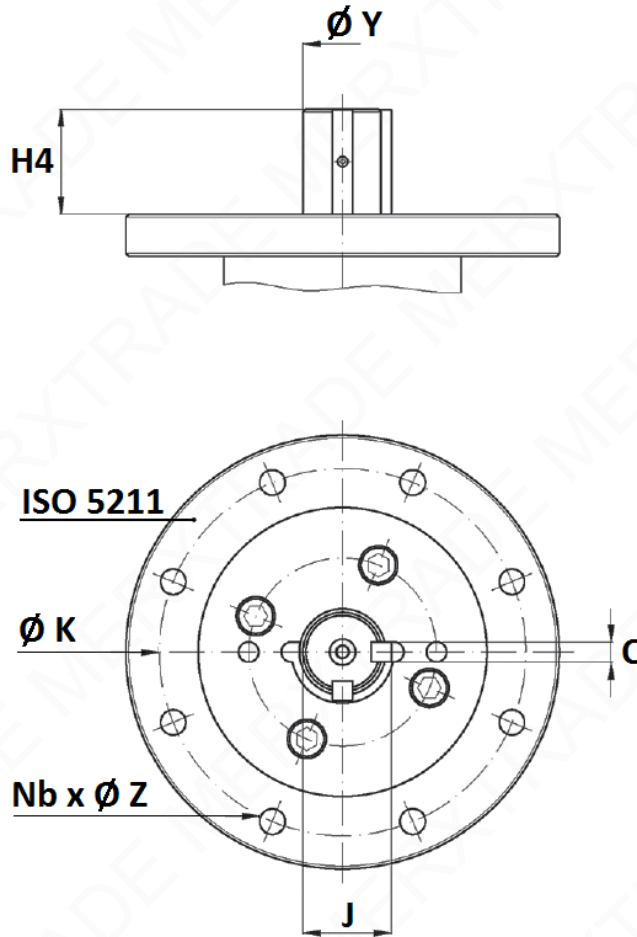
SIZE ( in mm ) :



NPS ( " )	2"	3"	4"	6"	8"	10"	12"
DN (mm)	50	80	100	150	200	250	300
Ø P	49	76	102	152	203	254	305
L	292	356	432	559	660	787	838
L1	146	178	216	279.5	330	393.5	419
H1	100	138.5	164	277.5	296	365	418
H2	125	156.5	175	268.5	325	362	423
Weight (in Kg)	33	75	136	300	561	828	1238
Ref.	6060AIDV050	6060AIDV080	6060AIDV100	6060AIDV150	6060AIDV200	6060AIDV250	6060AIDV300

**2 PIECES CARBON STEEL TRUNNION BALL VALVE FLANGED CLASS 600 JC  
LONG PATTERN (ASME B16.10 TABLE 3-1) DEVLON SEAT**

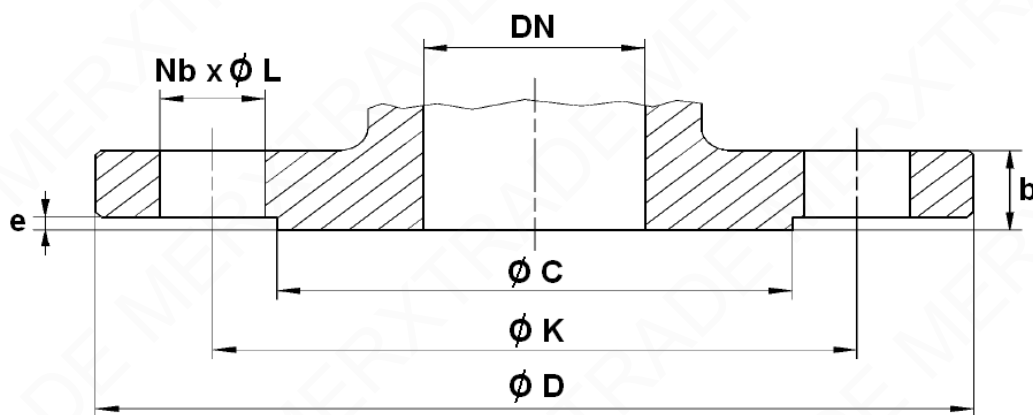
STEM AND ISO PLATE SIZE ( in mm ) :



NPS ( " )	2"	3"	4"	6"	8"	10"	12"
DN (mm)	50	80	100	150	200	250	300
H4	36.5	37.5	54	71	77	84.5	104
C	8	10	10	14	14	16	18
J	22.5	30	34	48.9	58.4	67	78
Ø Y	20	26	30	44.9	54.9	59.9	69.9
Ø K	102	125	125	165	254	254	254
ISO	F10	F12	F12	F16	F25	F25	F25
N x Ø Z	4 x 11	4 x 13	4 x 13	4 x 22	8 x 18	8 x 18	8 x 18

**2 PIECES CARBON STEEL TRUNNION BALL VALVE FLANGED CLASS 600 JC  
LONG PATTERN (ASME B16.10 TABLE 3-1) DEVLON SEAT**

FLANGES SIZE ( in mm ) :



NPS ( " )	2"	3"	4"	6"	8"	10"	12"
DN (mm)	50	80	100	150	200	250	300
Ø C	92.1	127	157.2	215.9	269.9	323.8	381
Ø D	165	210	275	355	420	510	560
Ø K	127	168.3	213.9	292.1	349.2	431.8	489
Nb x Ø L	8 x 19	8 x 22.2	8 x 25.4	12 x 28.5	12 x 31.8	16 x 34.9	20 x 34.9
b	31.4	38.4	44.4	54.4	62.4	70.4	73.4
e	6.4						



## 2 PIECES CARBON STEEL TRUNNION BALL VALVE FLANGED CLASS 600 JC LONG PATTERN (ASME B16.10 TABLE 3-1) DEVLON SEAT

### STANDARDS :

- Manufacturer certified ISO 9001:2015 and ISO 14001 : 2015
- DIRECTIVE 2014/68/EU : CE N° 0056  
Risk Category IV module H1
- Certificate 3.1 on request
- Valve designing according to ISO 17292, API 6D and ASME B16.34
- Body design according to ASME VIII Div.1
- Materials according to NACE MR 01-75
- Pressure Tests according to API 598
- Marking according to EN 19
- Fire safe according to ISO 10497 : 2004 and API 607 5<sup>th</sup>
- Fugitive Emissions according to EN 15848-1 : 2006 B Class and TA LUFT VDI 2440
- SIL2 according to IEC/EN 61508, SIL 3 possible according to the type of installation
- Flanges R.F. type B1 Class 600 according to ASME B16.5
- ISO 5211 mounting pad
- Length according to ASME B16.10 Table 3 Column 1 (EN 558 series 5)
- ATEX Group II Category 2 G/2Dc Zone 1 & 21 Zone 2 & 22 ( optional marking ) according to directive 2014/34/EU
- Russian certificate TRCU 10, TRCU 12 and TRCU 32 (EAC marking and declaration **on request**)

**ADVICE :** Our opinion and our advice are not guaranteed and MERXTRADE shall not be liable for the consequences of damages. The customer must check the right choice of the products with the real service conditions.