

# Butterfly valves 1150-1183 + Actuator AQ

## CHARACTERISTICS

Butterfly valves 1150-1183 are intended for the automatic opening / closing of a wide variety of fluid lines. The valve body is made of GS cast iron. Different configurations of the butterfly and cuff materials allow it to be used in many applications. Type "wafer" with centering lugs, the assembly is done between flanges PN10 / 16 and ANSI 150. The plate ISO 5211 allows the direct assembly of the servo motor AQ. It is perfectly suited for industrial use indoors and outdoors.



## LIMITS OF USE

<b>Max pressure: PS</b>	16 bar until DN 300 10 until DN 400
<b>Max temperature: TS</b>	See table below
<b>Ambiant temperature</b>	-20°C / +60°C
<b>Service factor</b>	S4-30%- 360 démarrages/h



## AVAILABLE MODELS

DN 32 until DN 350.

Connections between PN10 / 16 and ANSI 150 RF flanges.

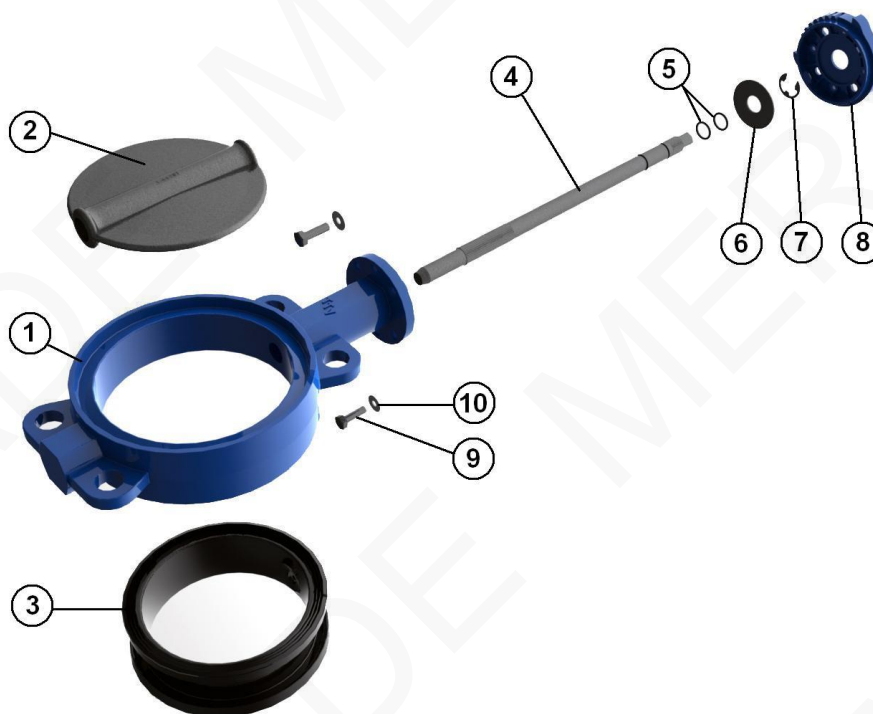
Supply voltages: 24Vdc, 230Vac, and Tri 400Vac.

Ref.	Butterfly	Liner	Example of applications	WT min	WT max
1141	GS cast iron	NBR	Natural gas - NF-ROB GAZ authorisation 5 bar	-10°C	+60°C
1147	GS cast iron	NBR carboxyl	Powder - abrasive	-10°C	+90°C
1149	316 SS	EPDM heat	Hot water	-10°C	+130°C
1150	GS cast iron	EPDM	Cold water – warm water (110°C at peak) - ACS	-10°C	+90°C
1151	316 SS	NBR	Hydrocarbon, natural gas, compressed air	-10°C	+90°C
1152	GS cast iron	NBR	Hydrocarbon, natural gas, compressed air	-10°C	+90°C
1153	316 SS	EPDM	Demineralized water - Alkaline (110 ° C peak) - ACS	-10°C	+90°C
1154	316 SS	FPM	Compatible aggressive fluids, gasoline	-5°C	+150°C
1156	316 SS	White NBR	Compatible aggressive fluids, gasoline	-10°C	+80°C
1157	316 SS	SILICONE	Oils and fat	-15°C	+150°C
1158	Copper-alu	NBR	Seawater	-10°C	+80°C
1183	Polished stainless steel	SILICONE Food	Food fluids (FDA certificate)	-15°C	+150°C

# BUTTERFLY VALVES 1150-1183 + ACTUATOR AQ

## DIRECTIVES AND MANUFACTURING STANDARDS

OBJECT	Standard	ON	OBJECT	Standard
CE pressure directive 2014/68	Cat. III modules B+C1	0409	Final test	ISO 5208
ATEX Directive	II 2G/D Tx zones 1,2,21 et 22	0038	Face/to/face dimension	ISO 5752 series 20
Flange dimension	EN 1092-1		Connection motorisation	ISO 5211
Sanitary conformity	ACS N° 07 ACC LY 504			



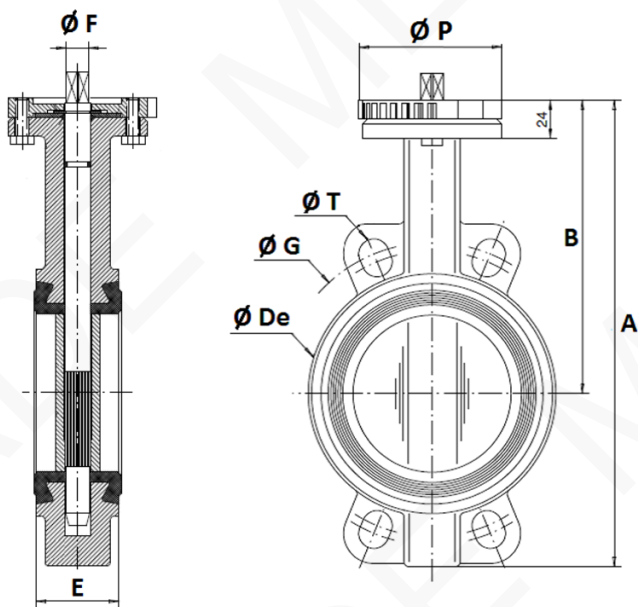
## CONSTRUCTION

Item	Name	1147	1149	1141	1150	1152	1151	1153	1154	1156	1157	1183	1158	
1	Body	GS EN GJS-500-7												
2	Butterfly DN32-100	1.4408 SS												
3	Butterfly DN125-400	GS cast iron	SS	GS EN GJS-500-7			1.4408 SS						Micropolished St.st	Cupro- alu
3	Liner	NBR carboxyl	EPDM heat	NBR Gas	EPDM	NBR	NBR	EPDM	FPM	White NBR	Silicone	Silicone alimentaire	NBR	
4	Stem	304 SS	304 SS	304 SS	420 SS	420 SS	304 SS	304 SS	304 SS	304 SS	304 SS	304 SS	304 SS	
5	O-ring	NBR	NBR	NBR	EPDM	NBR	NBR	EPDM	FPM	NBR	EPDM	EPDM	NBR	
6	Ring	Steel												
7	Circlips	Steel												
8	ISO mounting pad	aluminium												
9	Screw	Steel 5.6												
10	Washer	Steel												

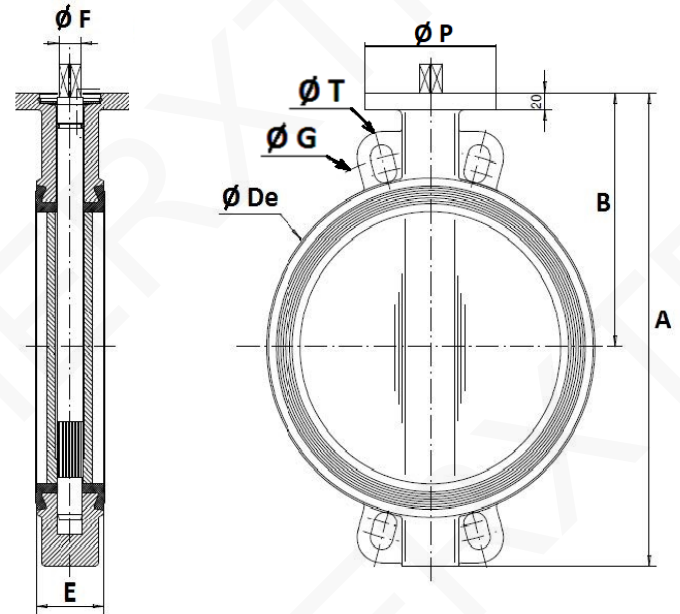
# BUTTERFLY VALVES 1150-1183 + ACTUATOR AQ

## DIMENSIONS (mm)

DN 32 à DN 200



DN 250 à DN 400



DN	32-40	50	65	80	100	125	150	200	250	300	350	400
A	206	228	243	265	298	331	349	430	461	524	570	644
B	140	156	161	169	187	206	215	255	248	280	300	340
Ø De	82	102	119	135	155	185	208	270	328	381	437	486
E	33	43	46	46	52	56	56	60	68	78	78	102
Ø F	9.5	9.5	12	14	14	18	18	22	25	28	28	35
Ø G	110	125	145	160	180	210	240	295	350	400	460	515
Ø P	88	88	88	88	88	105	105	105	150	150	170	170
Ø T	18	18	18	18	18	18	23	23	23	23	23	17
Poids (kg)	2,46	3,66	4,40	4,60	6	7,60	9,20	14,7	24,7	33	39	52

## COEFFICIENT DE DEBIT Kv (m<sup>3</sup>/h)

DN	32-40	50	65	80	100	125	150	200	250	300	350	400
Kv	70	109	200	334	551	901	1427	2383	3825	5659	8177	10659

# BUTTERFLY VALVES 1150-1183 + ACTUATOR AQ

## AQ ELECTRICAL MOTORISATION

The standard AQ motorization is intended for:

- IP68 epoxy coated aluminum housing servomotor and steel reducer,
- minimum safety factor 1,3 compared to the nominal torque of the valve,
- upstream / downstream pressure difference  $\Delta P = 10$  bar max.
- The mounting of the actuator is:
  - direct mounting type with aluminum motorization plate for DN 100 to 200,
  - of the arch type + stainless steel coach according to standard EN 15081 for DN 250 to 350.

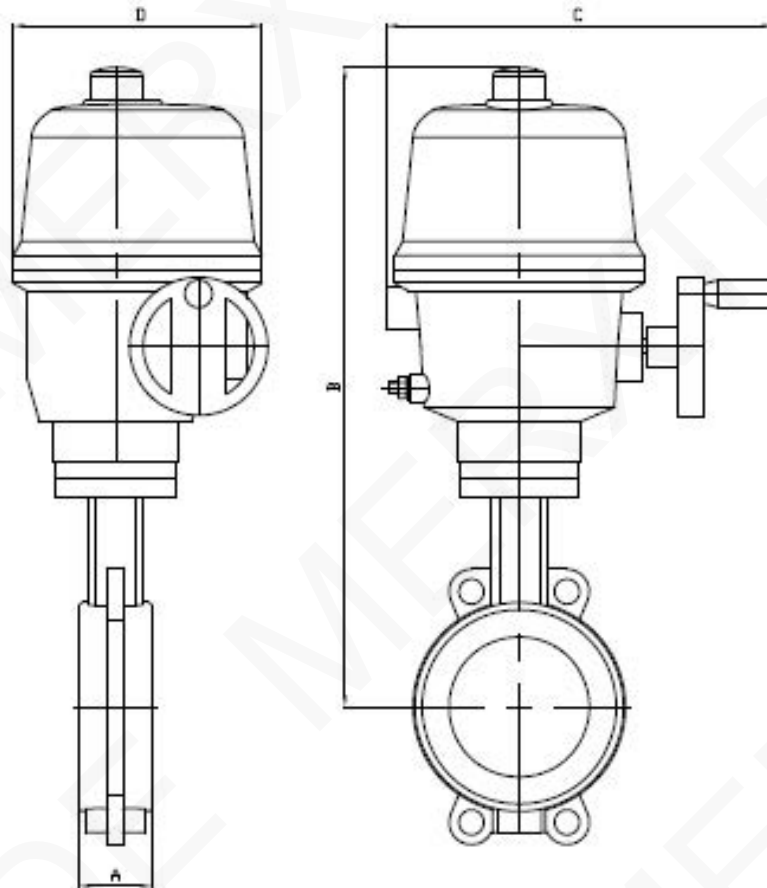
DN	Actuator	Power (W)	Time (s)*	Standard equipment of the actuator
32-40	AQ 5	15	16	2 adjustable limit switches + 2 dry auxiliaries Anti-condensation resistance Visual position indicator Motor thermal protection AQ 5 to AQ 15 Torque limiter from AQ 25 Racc. electric: 2 M20 x 1.5 cable glands Manual emergency control by disengageable flywheel
50	AQ 5	15	16	
65	AQ 5	15	16	
80	AQ 5	15	16	
100	AQ 5	15	16	
125	AQ 10	15	25	
150	AQ 15	30	25	
200	AQ 25	40	30	
250	AQ 30	40	35	
300	AQ 50	60	35	

For any other service condition, please contact us.\* indicative time of the vacuum actuator

## MOTORISATION OPTIONS

There are many options for which we ask you to consult our sales department:

OPTIONS ON THE VALVE	
1	Body in carbon steel, stainless steel 304 and 316, bronze and aluminum
2	Butterfly in carbon steel, stainless steel 304 and 316, cupro-alu, uranus, hastelloy
3	Hypalon cuffs, vapor silicone, white EPDM, natural rubber, neoprene, vulcanized
4	Axes in stainless steel 420, 304, 316, hastelloy



DN	32-40	50	65	80	100	125
SERVO	AQ5	AQ5	AQ5	AQ5	AQ5	AQ10
A	33	43	46	46	52	56
B	426	442	447	455	473	492
C	280	280	280	280	280	280
D	184	184	184	184	184	184
KG	12.7	13.6	14.3	14.7	16.1	17.9
DN	150	200	250	300		
SERVO	AQ15	AQ25	AQ30	AQ50		
A	56	60	68	78		
B	501	572	576	608		
C	280	379	427	427		
D	184	224	260	260		
KG	20.6	26.6	41.3	50.2		