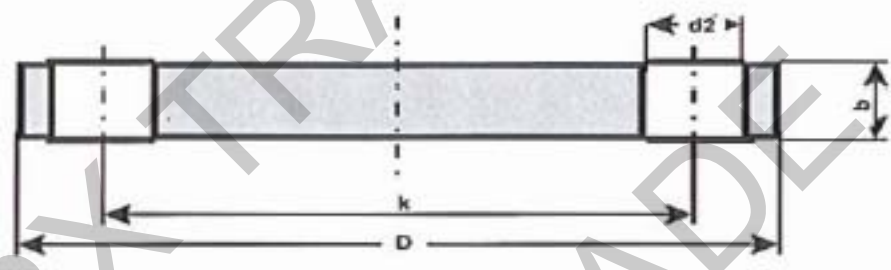


Flanges-Blind-DIN.2527-Steel.37.2



Body material	Steel-St.37.2
Connection size	DIN
Pressure rating	PN 16
Operation	
Note	



DN	D	b	k	d2	Bolts	Weight
15	95	14	65	14	4	0,72
20	105	16	75	14	4	1,01
25	115	16	85	14	4	1,23
32	140	16	100	18	4	1,80
40	150	16	110	18	4	2,09
50	165	18	125	18	4	2,88
65	185	18	145	18	8	3,66
80	200	20	160	18	8	4,77
100	220	20	180	18	8	5,65
125	250	22	210	18	8	8,42
150	285	22	240	22	8	10,40
200	340	24	295	22	12	16,10
250	405	26	355	26	12	24,90
300	460	28	410	26	12	35,10
350	520	30	470	26	16	47,80

Information provided as an indication and subject to possible modification