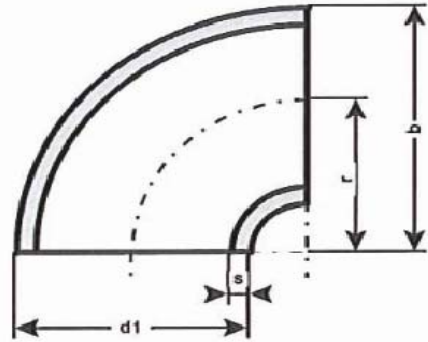
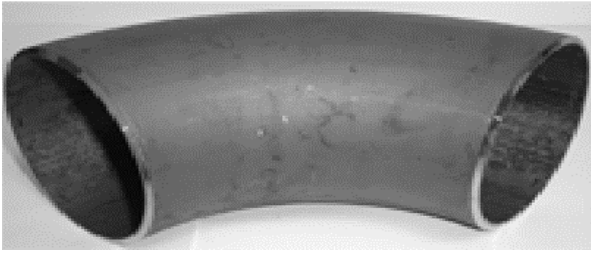


MXT-101-2605

Elbow-Seamless-S3-DIN2605-Carbon.St-ST37.0-Black



MXT-CODE	DISCRPTION	DN	d1	S3	r	b	weight/gram
MXT-101-2605-21.3X2.0	ELBOW-SEAMLESS-3S DIN 2605 - (1/2") 21,3X2,0MM	15	21,3	2,0	28	38,0	40
MXT-101-2605-26.9X2.3	ELBOW-SEAMLESS-3S DIN 2605 - (3/4") 26.9X2,3MM	20	26,9	2,3	29	43,0	60
MXT-101-2605-31.8X2.6	ELBOW-SEAMLESS-3S DIN 2605 - 31,8X2,6MM		31,8	2,6	35	51,0	100
MXT-101-2605-33.7X2.6	ELBOW-SEAMLESS-3S DIN 2605 - (1") - 33,7X2,6MM	25	33,7	2,6	38	56,0	120
MXT-101-2605-38.0X2.6	ELBOW-SEAMLESS-3S DIN 2605 - 38.0X2,6MM		38,0	2,6	45	64,0	160
MXT-101-2605-42.4X2.6	ELBOW-SEAMLESS-3S DIN 2605 - (5/4") 42,4X2,6MM	32	42,4	2,6	48	69,0	190
MXT-101-2605-44.5X2.6	ELBOW-SEAMLESS-3S DIN 2605 - 44.5X2,6MM		44,5	2,6	51	73,0	220
MXT-101-2605-48.3X2.6	ELBOW-SEAMLESS-3S DIN 2605 - (1.1/2") 48,3X2,6MM	40	48,3	2,6	57	82,0	260
MXT-101-2605-51.0X2.6	ELBOW-SEAMLESS-3S DIN 2605 - 51.0X2,6MM		51,0	2,6	64	88,0	310
MXT-101-2605-57.0X2.9	ELBOW-SEAMLESS-3S DIN 2605 - 57.0X2,9MM		57,0	2,9	72	100,0	440
MXT-101-2605-60.3X2.9	ELBOW-SEAMLESS-3S DIN 2605 - (2") - 60,3X2,9MM	50	60,3	2,9	76	106,0	490
MXT-101-2605-63.5X2.9	ELBOW-SEAMLESS-3S DIN 2605 - 63,5X2,9MM		63,5	2,9	83	114,0	560
MXT-101-2605-70.0X2.9	ELBOW-SEAMLESS-3S DIN 2605 - 70.0X2,9MM		70,0	2,9	92	127,0	690
MXT-101-2605-76.1X2.9	ELBOW-SEAMLESS-3S DIN 2605 - (2.1/2") 76.1X2,9MM	65	76,1	2,9	95	133,0	780
MXT-101-2605-82.5X3.2	ELBOW-SEAMLESS-3S DIN 2605 - 82.5X3,2MM		82,5	3,2	108	149,0	1060
MXT-101-2605-88.9X3.2	ELBOW-SEAMLESS-3S DIN 2605 - (3") - 88.9X3,2MM	80	88,9	3,2	114	159,0	1220
MXT-101-2605-95.0X3.6	ELBOW-SEAMLESS-3S DIN 2605 - 95.0X3,6MM		95,0	3,6			1690
MXT-101-2605-101.6X3.6	ELBOW-SEAMLESS-3S DIN 2605 - 101.6X3,6MM		101,6	3,6	134	184,0	1820
MXT-101-2605-108.0X3.6	ELBOW-SEAMLESS-3S DIN 2605 - 108.0X3,6MM		108,0	3,6	143	196,0	2070
MXT-101-2605-114.3X3.6	ELBOW-SEAMLESS-3S DIN 2605 - (4") - 114.3X3,6MM	100	114,3	3,6	152	210,0	2350
MXT-101-2605-121.0X4.0	ELBOW-SEAMLESS-3S DIN 2605 - 121.0X4,0MM		121,0	4,0			3080
MXT-101-2605-127.0X4.0	ELBOW-SEAMLESS-3S DIN 2605 - 127.0X4,0MM		127,0	4,0	175	238,0	3340
MXT-101-2605-133.0X4.0	ELBOW-SEAMLESS-3S DIN 2605 - 133.0X4,0MM		133,0	4,0	181	247,0	3620
MXT-101-2605-139.7X4.0	ELBOW-SEAMLESS-3S DIN 2605 - (5") - 139.7X4,0MM	125	139,7	4,0	190	260,0	4010
MXT-101-2605-152.4X4.5	ELBOW-SEAMLESS-3S DIN 2605 - 152.4X4,5MM		152,4	4,5	215	291,0	5540
MXT-101-2605-159.0X4.5	ELBOW-SEAMLESS-3S DIN 2605 - 159.0X4,5MM		159,0	4,5	216	294,0	5820
MXT-101-2605-168.3X4.5	ELBOW-SEAMLESS-3S DIN 2605 - 168.3X4,5MM	150	168,3	4,5	229	313,0	6520
MXT-101-2605-193.7X5.6	ELBOW-SEAMLESS-3S DIN 2605 - 193.7X5,6MM		193,7	5,6	270	367,0	10600
MXT-101-2605-219.1X6.3	ELBOW-SEAMLESS-3S DIN 2605 - 219.1X6,3MM	200	219,1	6,3	305	414,0	14900
MXT-101-2605-273.0X6.3	ELBOW-SEAMLESS-3S DIN 2605 - 273.0X6,3MM	250	273,0	6,3	381	518,0	24800
MXT-101-2605-323.9X7.1	ELBOW-SEAMLESS-3S DIN 2605 - 323.9X7,1MM	300	323,9	7,1	457	619,0	39800
MXT-101-2605-355.6X8.0	ELBOW-SEAMLESS-3S DIN 2605 - 355.6X8,0MM	350	355,6	8,0	533	711,0	57500
MXT-101-2605-406.4X8.8	ELBOW-SEAMLESS-3S DIN 2605 - 406.4X8,8MM	400	406,4	8,8	610	813,0	82600
MXT-101-2605-508.0X11.0	ELBOW-SEAMLESS-3S DIN 2605 - 508.0X11,0MM	500	508,0	11,0	762	1016,0	161000