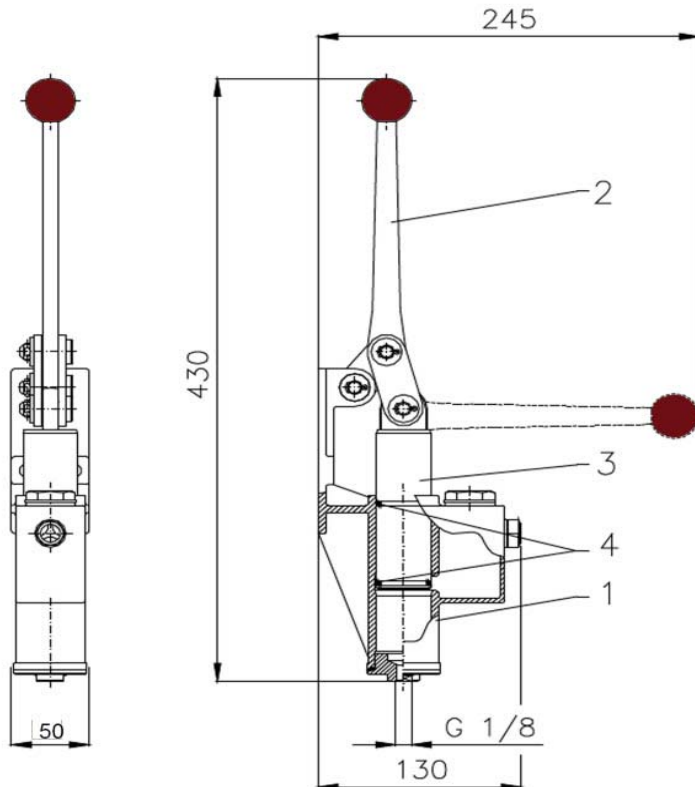


Hydraulic Impuls unit for quick closing valves-Body Stainless.Steel

Single version



Application:

Hydraulic remote control for quick closing valves.
The impuls hand pump unit can be positioned well away from dangerous areas.
The pump unit can operate completely independent.

Maximum quick closing valve connections:
1 pulse unit max 6 quick closing valves

Stroke	35 mm
Stroke-volume	30 cm ³
Tank volume	110 cm ³
Max: hydro press.	20 bar

Body	GX5CrNiMo 19-11-2
Lever	X6CrNiMoTi 17-12-2
Piston	CuZn39Pb 3
O-rings	FPM

Information provided as an indication and subject to possible modification