

MUD BOX (BASKET STRAINER)
STRAIGHT TYPE

Technical Features

Design	DIN 87151 D - With fixed studs and nuts
Face to Face	DIN 87151 - Straight Type
Flange Dimension	DIN Flanges acc. to EN 1092/B (DIN 2501)
Pressure Rating	PN 2.5 / PN 4
Temperature Range	-10 °C...+120 °C
Options	Brass bow nuts, CuNiFe basket or special perforation air plug or air vent valve on the cover, mounting feed
Flange Options	Special flange drilling acc. to ANSI or JIS

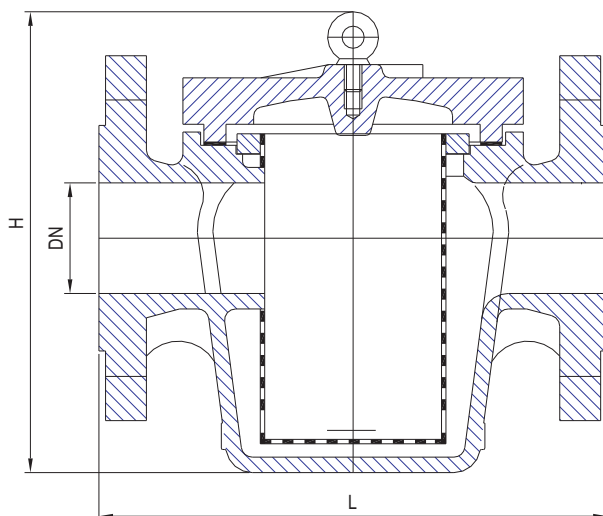
- Iron & Steel mud boxes with DIN face to face length and drain plug are installed in suction pipes board vessels to protect pumps against large solids.
The standart perforation of the basket is 5 mm square for DN 25 to DN 65 and 8 mm square for DN 80 to DN 750. As an option basket perforation can be 3 mm or other special perforation.
The cover is mounted with studs and hexagon nuts.
- Application: Especially for suction and discharge lines for sea cooling water and bilge systems.

Pressure and temperature range

Bore	Pressure and temperature range
DN 25 - DN 450	PN 4 - 120 °C
DN 500 - DN 750	PN 2.5 - 120 °C

Material specifications

Body	Cast Iron	Ductile Iron	Cast Steel	Stainless Steel
	EN-GJL250 (GG25)	EN-GJS400-18-LT (GGG40.3)	GP240GH (GSC25)	AISI 316 (1.4408)
Cover	EN-GJL250 (GG25)	EN-GJS400-18-LT (GGG40.3)	GP240GH (GSC25)	AISI 316 (1.4408)
Basket	AISI 316 (1.4401)	AISI 316 (1.4401)	AISI 316 (1.4401)	AISI 316 (1.4401)
Cover sealing	NBR	NBR	NBR	NBR
Stud bolts, nuts	Steel	Steel	Steel	A4 (AISI 316)
Drain plug	Brass	Brass	Brass	AISI 316 (1.4401)

Dimensions


DN [mm]	Pressure rating	ØD		L [mm]	H [mm]	Weight [kg]
		PN 10	PN 16			
25	PN 4	115	115	160	180	5.0
32	PN 4	140	140	200	210	8.0
40	PN 4	150	150	200	210	10
50	PN 4	165	165	230	215	14
65	PN 4	185	185	290	265	22
80	PN 4	200	200	310	300	26
100	PN 4	220	220	350	340	37
125	PN 4	250	250	400	415	55
150	PN 4	285	285	480	465	70
175	PN 4	315	315	600	500	125
200	PN 4	340	340	600	580	140
250	PN 4	395	405	600	620	150
300	PN 4	445	460	700	660	190
350	PN 4	505	520	610/690/800*	750	200
400	PN 4	565	580	740	900	305
450	PN 4	615	640	1000	1000	500
500	PN 2.5	670	715	1100	1210	765
600	PN 2.5	780	840	1100	1100	830
700	PN 2.5	895	910	1250	1150	900
750	PN 2.5	965	975	1350	1200	

* STANDARD LENGTH