

CARBON STEEL Y STRAINER FLANGED PN 40 DIN 3202-1 F1

Carbon steel Y strainer flanged PN40 for filtration of high temperature network, hot water, steam, compressed air, water treatment and irrigation.

Strainer with removable filter and bolted bonnet

Threaded BSP draining cap allowing to install a draining valve.



Size : DN15 to DN300
Connection : Flanges RF PN25/40
Min Temperature : -29°C
Max Temperature : +425°C
Max Pressure : 40 Bars
Specifications : Removable stainless steel filter
Bolted bonnet with draining cap
Blue painting RAL 5002

Materials : Carbon steel ASTM A216 WCB

CARBON STEEL Y STRAINER FLANGED PN 40 DIN 3202-1 F1

SPECIFICATIONS :

- Removable stainless steel filter
- R.F. Flanged PN25/40 , PN40 from DN200 to 300
- Horizontal or vertical position with descendant fluid (respect the flow direction indicated by the arrow)
- Mesh 1mm up to DN 50 , 1.25 mm from DN 65 to 80, 1.6 mm from DN100 to 200, 4 mm over
- Bolted bonnet with draining cap threaded BSP
- Blue painting RAL 5002, 80 µm thickness

USE :

- For all common fluids of 2nd group
- Min Temperature Ts : - 29°C
- Max Temperature Ts :+ 425°C
- Max Pressure Ps : 40 bars (see graph)

PRESSURE / TEMPERATURE RELATION (STEAM EXCLUDED) :

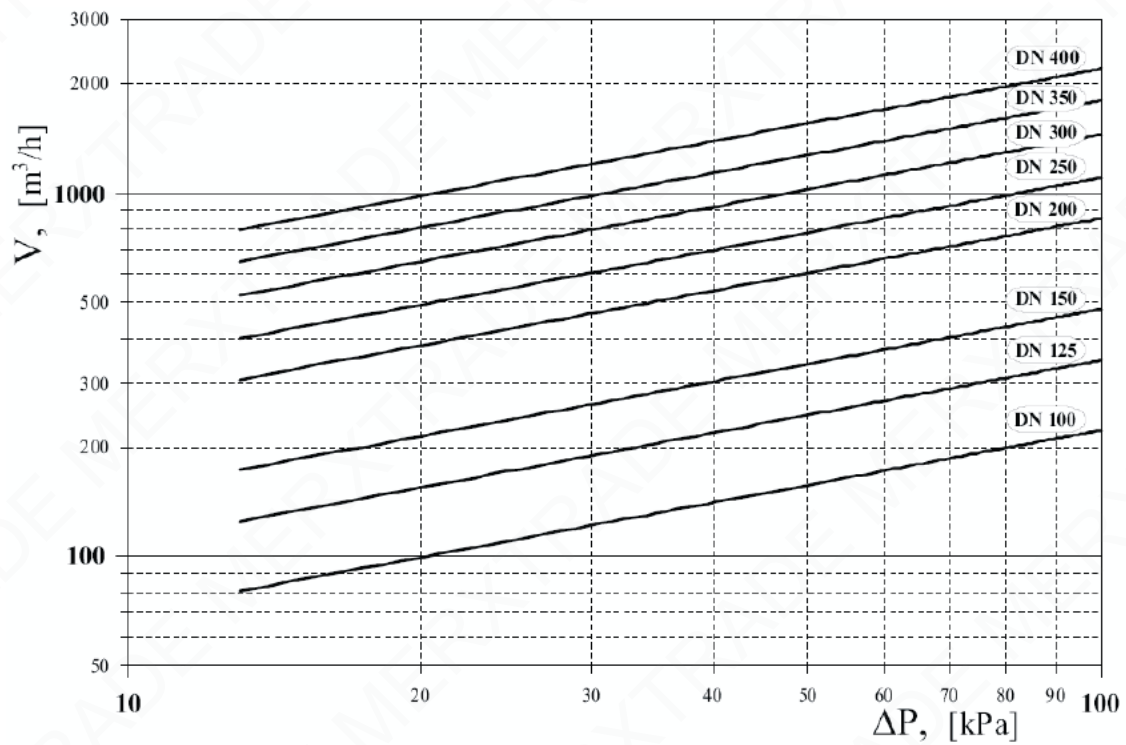
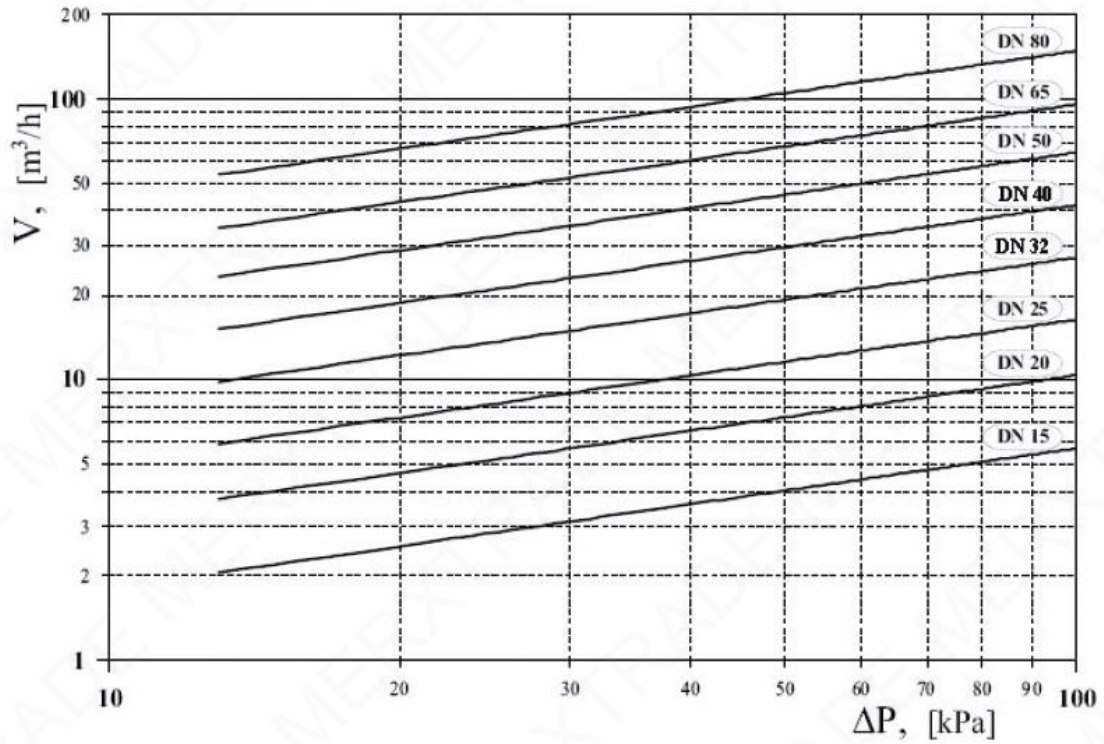
| Temperature (°C) | -29 | -10 | 120 | 200 | 250 | 300 | 350 | 400 | 425 |
|------------------|------|-----|-----|------|------|-----|-----|-----|-----|
| Pressure (Bar) | 25.8 | 40 | 40 | 34.7 | 31.4 | 28 | 24 | 21 | 18 |

FLOW COEFFICIENT Kvs (M3 / h) :

| DN | 15 | 20 | 25 | 32 | 40 | 50 | 65 | 80 | 100 | 125 | 150 | 200 | 250 | 300 |
|--------------|-----|------|------|------|------|----|------|-----|-----|-----|-----|-----|------|------|
| Kvs (m3/h) | 6.2 | 10.8 | 16.8 | 26.1 | 36.7 | 61 | 98.6 | 146 | 234 | 376 | 405 | 752 | 1220 | 1865 |

CARBON STEEL Y STRAINER FLANGED PN 40 DIN 3202-1 F1

HEAD LOSS:

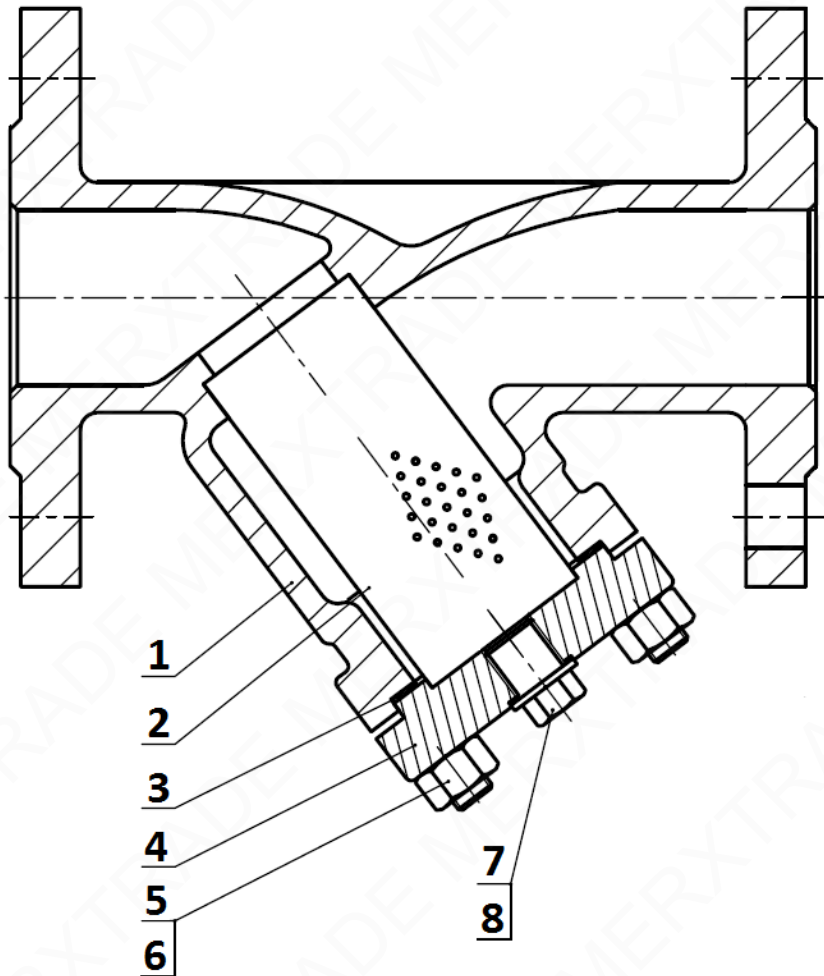


CARBON STEEL Y STRAINER FLANGED PN 40 DIN 3202-1 F1

RANGE :

- Carbon steel flanged R. F. PN25/40 DN 15 up to DN 150 and PN40 from DN200 to DN300 Ref.235

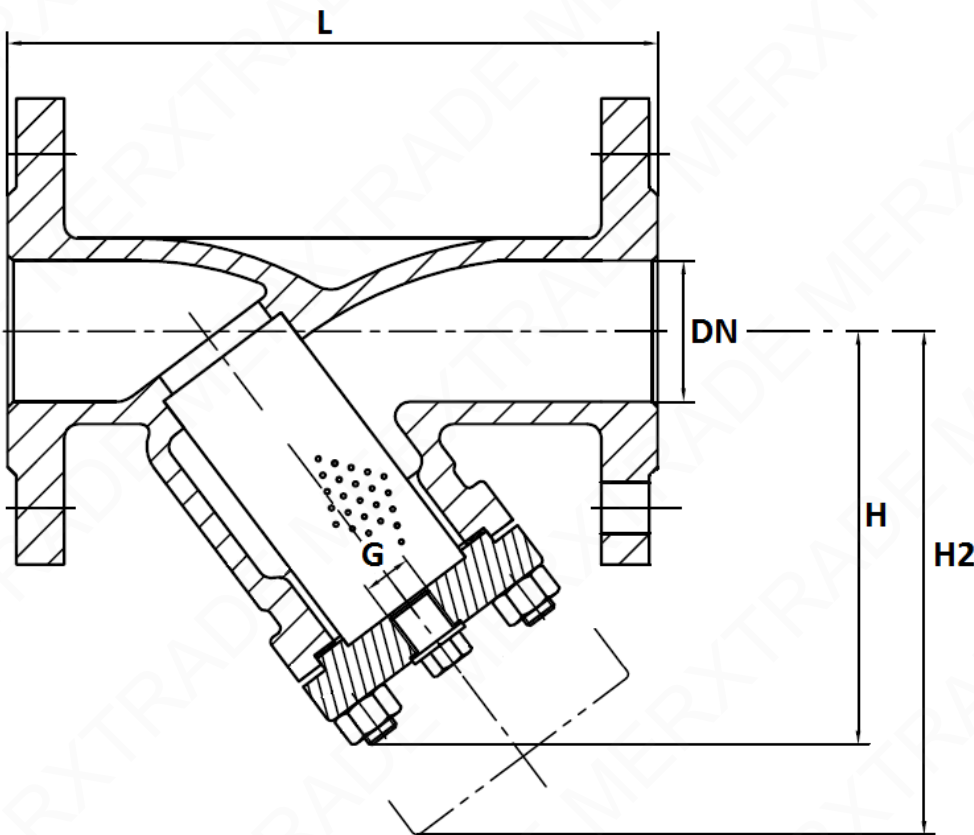
MATERIALS :



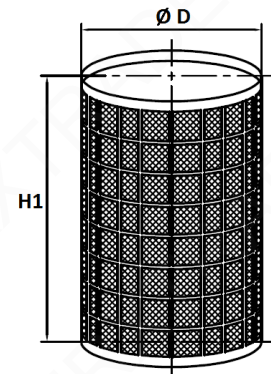
| Item | Designation | Materials |
|------|---------------|---------------------|
| 1 | Body | ASTM A 216 WCB |
| 2 | Filter | AISI 304 |
| 3 | Bonnet gasket | Graphite + AISI 304 |
| 4 | Bonnet | ASTM A216 WCB |
| 5 | Stud | A193-B7 |
| 6 | Nut | A194-2H |
| 7 | Plug | A105 |
| 8 | Plug gasket | Graphite + AISI 304 |

CARBON STEEL Y STRAINER FLANGED PN 40 DIN 3202-1 F1

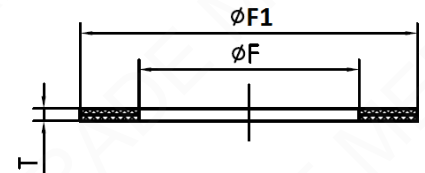
SIZE (in mm) :



Filter size :



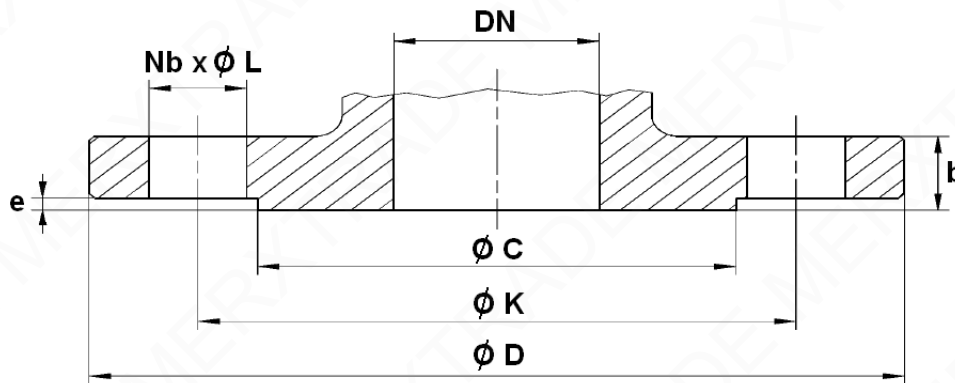
Gasket size :



| DN | 15 | 20 | 25 | 32 | 40 | 50 | 65 | 80 | 100 | 125 | 150 | 200 | 250 | 300 |
|---------------|--------|--------|--------|--------|--------|--------|--------|--------|--------|--------|--------|--------|--------|--------|
| L | 130 | 150 | 160 | 180 | 200 | 230 | 290 | 310 | 350 | 400 | 480 | 600 | 730 | 850 |
| H | 98 | 97 | 108 | 113 | 138 | 147 | 170 | 204 | 240 | 288 | 334 | 380 | 535 | 640 |
| H2 | 106 | 115 | 122 | 130 | 155 | 165 | 190 | 225 | 265 | 310 | 360 | 427 | 590 | 710 |
| G (drain BSP) | 3/8" | 3/8" | 3/4" | 3/4" | 1" | 1" | 1" | 1" | 1"1/2 | 1"1/2 | 1"1/2 | 1"1/2 | 2" | 2" |
| Ø D | 22 | 22 | 29 | 35 | 42 | 52 | 58 | 75 | 104 | 124 | 150 | 190 | 243 | 295 |
| H1 | 48 | 59 | 75 | 85 | 97 | 105 | 121 | 150 | 175 | 205 | 240 | 310 | 390 | 458 |
| Mesh | 1 | 1 | 1 | 1 | 1 | 1 | 1.25 | 1.25 | 1.6 | 1.6 | 1.6 | 1.6 | 4 | 4 |
| Ø F1 | 50 | 50 | 56 | 56 | 68 | 75 | 92 | 106 | 135 | 170 | 195 | 250 | 335 | 385 |
| Ø F | 40 | 40 | 44 | 44 | 52 | 60 | 75 | 92 | 116 | 150 | 165 | 220 | 295 | 345 |
| T | 1.5 | 1.5 | 1.5 | 1.5 | 1.5 | 1.5 | 1.5 | 1.5 | 1.5 | 1.5 | 1.5 | 1.5 | 1.5 | 1.5 |
| Weight (Kg) | 2.8 | 3.5 | 4.9 | 6.6 | 8.7 | 10.9 | 18.5 | 21 | 37 | 55 | 71 | 115 | 201 | 255 |
| Ref. | 235015 | 235020 | 235025 | 235032 | 235040 | 235050 | 235065 | 235080 | 235100 | 235125 | 235150 | 235200 | 235250 | 235300 |

CARBON STEEL Y STRAINER FLANGED PN 40 DIN 3202-1 F1

SIZE FLANGES RF TYPE B (in mm) :



| DN | 15 | 20 | 25 | 32 | 40 | 50 | 65 | 80 | 100 | 125 | 150 | 200 | 250 | 300 |
|----------|--------|--------|--------|--------|--------|--------|--------|--------|--------|--------|--------|---------|---------|---------|
| Ø C | 45 | 58 | 68 | 78 | 88 | 102 | 122 | 138 | 162 | 188 | 218 | 285 | 345 | 410 |
| Ø D | 95 | 105 | 115 | 140 | 150 | 165 | 185 | 200 | 235 | 270 | 300 | 375 | 450 | 515 |
| Ø K | 65 | 75 | 85 | 100 | 110 | 125 | 145 | 160 | 190 | 220 | 250 | 320 | 385 | 450 |
| Nb x Ø L | 4 x 14 | 4 x 14 | 4 x 14 | 4 x 18 | 4 x 18 | 4 x 18 | 8 x 18 | 8 x 18 | 8 x 22 | 8 x 26 | 8 x 26 | 12 x 30 | 12 x 33 | 16 x 33 |
| b | 16 | 18 | 18 | 18 | 18 | 20 | 22 | 24 | 24 | 26 | 28 | 34 | 38 | 42 |
| e | 2 | 2 | 2 | 2 | 3 | 3 | 3 | 3 | 3 | 3 | 3 | 3 | 3 | 4 |
| Ref. | 235015 | 235020 | 235025 | 235032 | 235040 | 235050 | 235065 | 235080 | 235100 | 235125 | 235150 | 235200 | 235250 | 235300 |

CARBON STEEL Y STRAINER FLANGED PN 40 DIN 3202-1 F1

STANDARDS :

- Manufacturer certified ISO 9001 : 2015 and ISO 14001 :2015
- Design according to DIN 3356
- DIRECTIVE 2014/68/EU : CE N° 0036
Risk Category III Module H
- Certificate 3.1 on request
- Tests according to DIN 3230
- Length according to EN 558 series 1 (DIN 3202-1 F1 – NF 29354)
- Flanges R.F. according to EN 1092-1 PN40

INSTALLATION POSITIONS :

Vertical position (descendand fluid)



Horizontal position



ADVICE : Our opinion and our advice are not guaranteed and MERXTRADE shall not be liable for the consequences of damages. The customer must check the right choice of the products with the real service conditions.