

FORGED CARBON STEEL GATE VALVE A105N CLASS 800 TRIM16 SW

Forged carbon steel gate valve TRIM16 SW Class 800 standard bore for petroleum industry, steam, oil and gas and high pressure.

Rising non rotating stem (OS&Y) with bolted bonnet.

Graphite packing and stainless steel + graphite bonnet gasket.

Compatible with explosive atmosphere, ATEX Zone 1&21 and Zone 2&22.



Size : DN10 to DN50 (NPS 3/8" to 2")

Connection : SW

Min Temperature : -29°C

Max Temperature : +425°C

Max Pressure : 136 Bars (Class 800)

Specifications : Rising non rotating stem (OS&Y)

Bolted bonnet and gland pack

Standard port

Materials : Forged carbon steel ASTM A105N

FORGED CARBON STEEL GATE VALVE A105N CLASS 800 TRIM16 SW

SPECIFICATIONS :

- Standard port
- Rising stem non rotating (OS&Y)
- Bolted bonnet and gland pack
- Forged Carbon steel
- TRIM 16
- Class 800

USE :

- Petroleum industry, steam, high pressure
- Min and max Temperature Ts : - 29°C to + 425°C
- Max Pressure Ps : 136 bars (see graph)

FLOW COEFFICIENT Kvs (M3 / h) :

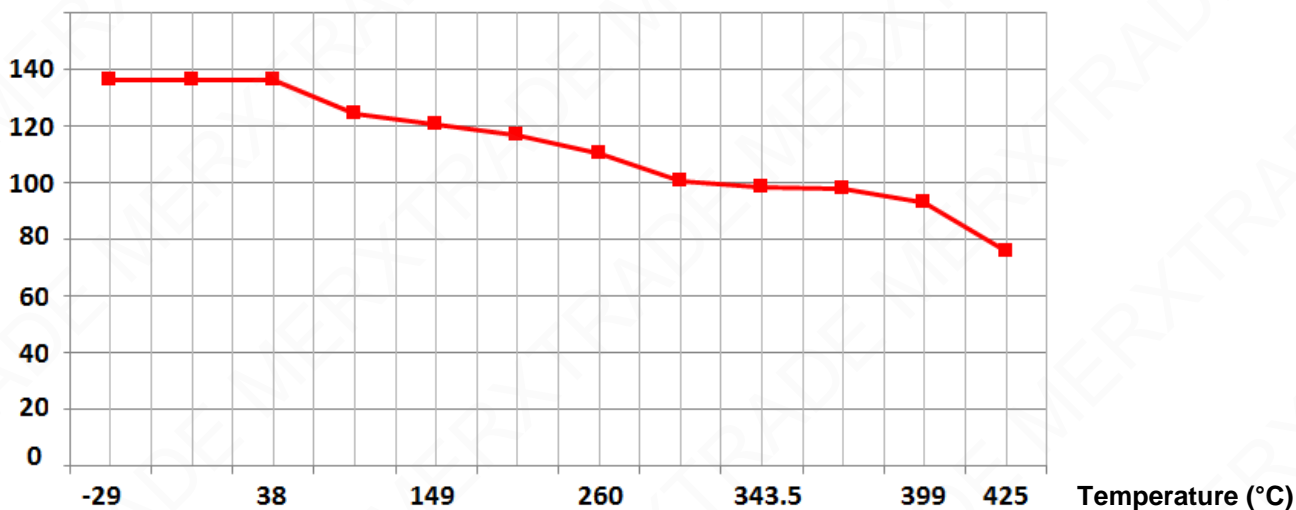
DN	10	15	20	25	32	40	50
NPS	3/8"	1/2"	3/4"	1"	1"1/4	1"1/2	2"
Kvs (m3/h)	3.7	4.8	10.4	23.4	47.6	69.2	90.8

PRESSURE / TEMPERATURE RELATION :

Pressure (bar)	136.2	136.2	136.2	124,1	120,7	116,6	110	100,7	98,6	97,9	92,7	75,9
Temperature (°C)	-29	0	38	93,5	149	204,5	260	315,5	343,5	371	399	425

PRESSURE / TEMPERATURE GRAPH :

Pressure (Bars)

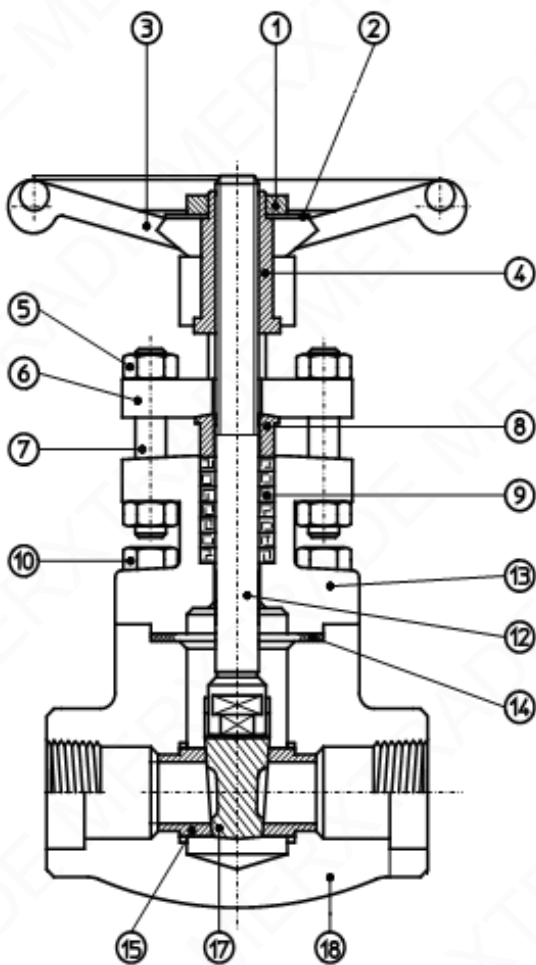


FORGED CARBON STEEL GATE VALVE A105N CLASS 800 TRIM16 SW

RANGE :

- Forged A105N carbon steel gate valve TRIM 16 with Socket Welding ends **Ref. 111** DN 10 to DN 50 (NPS 3/8" to DN 2")

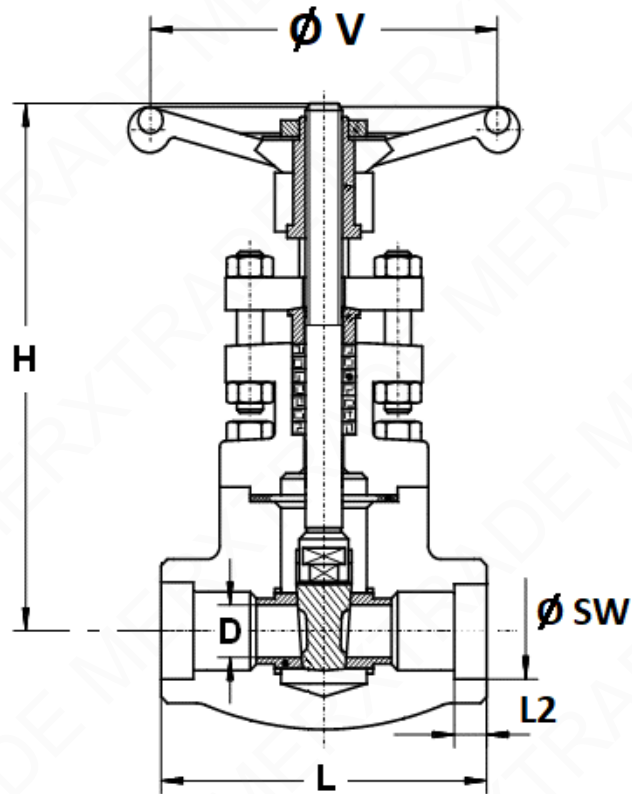
MATERIALS:



Item	Designation	Materials
1	Wheel nut	Carbon steel
2	Name plate	Aluminium
3	Handwheel	Carbon steel
4	Yoke nut	ASTM A582 type 416
5	Gland nut	ASTM A193 B7M
6	Gland flange	ASTM A105
7	Gland stud	ASTM A193 B7M
8	Gland	ASTM A276 type 410
9	Packing	Graphite
10	Bolts	ASTM A193 B7M
12	Stem	AISI 316
13	Bonnet	ASTM A105N
14	Gasket	AISI 316 + graphite spiral wound
15	Seat	AISI 316 + Stellite GR.6
17	Wedge	AISI 316 + Stellite GR.6
18	Body	ASTM A105N

FORGED CARBON STEEL GATE VALVE A105N CLASS 800 TRIM16 SW

SIZE (in mm) :



DN (mm)	10	15	20	25	40	50
NPS (")	3/8"	1/2"	3/4"	1"	1"1/2"	2"
Ø D	9.6	9.6	14	18	30	36.5
L	80	80	90	110	127	127
H (opened)	148	148	163	178	243	262
Ø V	90	90	90	110	130	130
L2 (SW)	11.1	12.7	14.5	16	19	22
Ø SW	17.6	21.8	27.2	33.9	48.8	61.2
Weight (in Kg)	1.8	1.8	3.6	5.2	9.4	15.5
Ref.	111010	111015	111020	111025	111040	111050

FORGED CARBON STEEL GATE VALVE A105N CLASS 800 TRIM16 SW

STANDARDS :

- Manufacturer certified **ISO 9001 : 2015**
- **DIRECTIVE 2014/68/EU : CE N° 0036**
Risk category III module H
- Certificate 3.1 on request
- Designing according to **ISO 15761** and **API 602 8th**
- Materials according to **NACE MR 01-75**
- Pressure tests according to **API 598, table 6**
- Valves approved by the main oil industries (certificates on request)
- **ATEX Group II Category 2 GD T3 Zone 1 & 21 Zone 2 & 22** (optional marking) according to directive 2014/34/EU
- Socket Welding ends according to **ISO 15761**

ADVICE : Our opinion and our advice are not guaranteed and MERXTRADE shall not be liable for the consequences of damages. The customer must check the right choice of the products with the real service conditions.