

MXT-113060001

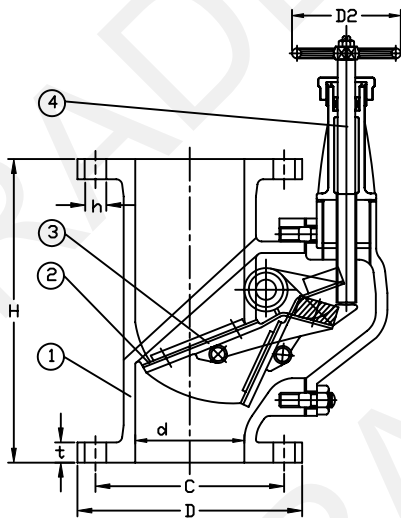
F3059 - JIS 5K Cast Steel Vertical Storm Valve

MXT-113060201

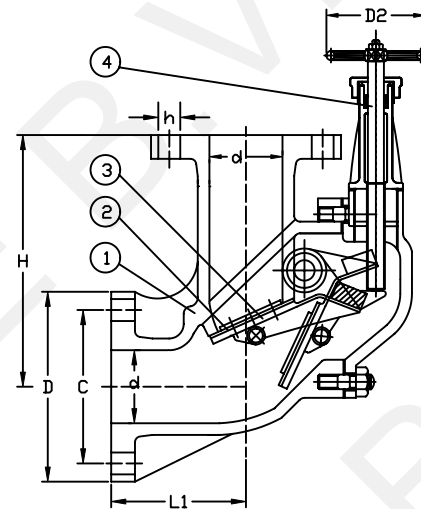
F3060 - JIS 5K Cast Steel Angle Storm Valve

Accordance to JIS F7400

Flanges as per JIS B2220 - 5K



MXT-113060101
F3059



MXT-113060201
F3060

Part Nr.	Material	Code
1 - Body	Cast Steel	SC49
2 - Seat	Rubber	NBR
3 - Disc	Bronze	BC6
4 - Stem	Stainless Steel	SUS403

Nominal Dia	Test pressure [kgf/cm ²]
50 to 200	5.1

Type	Size	H	D	C	No.	h	t	L1	D2	Kg
F3059 Vertical	050	210	130	105	4	15	16	-	100	11.5
	065	240	155	130	4	15	18	-	100	16.5
	080	260	180	145	4	19	18	-	125	21.6
	100	280	200	165	8	19	20	-	125	29.6
	125	330	235	200	8	19	20	-	125	43.6
	150	360	265	230	8	19	22	-	125	51.6
	200	459	320	280	8	23	24	-	125	106.5
F3060 Angle	050	170	130	105	4	15	16	90	100	13
	065	200	155	130	4	15	18	110	100	19
	080	220	180	145	4	19	18	120	125	23.8
	100	250	200	165	8	19	20	130	125	34.5
	125	270	235	200	8	19	20	150	125	50
	150	310	265	230	8	19	22	170	125	67
	200	400	320	280	8	23	24	190	125	111