

MXT-113060101

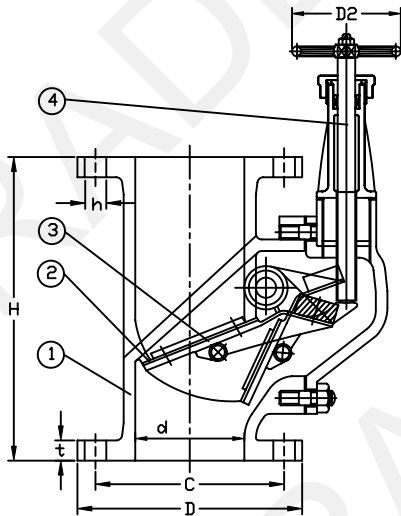
F3059 - JIS 10K Cast Steel Vertical Storm Valve

MXT-113060301

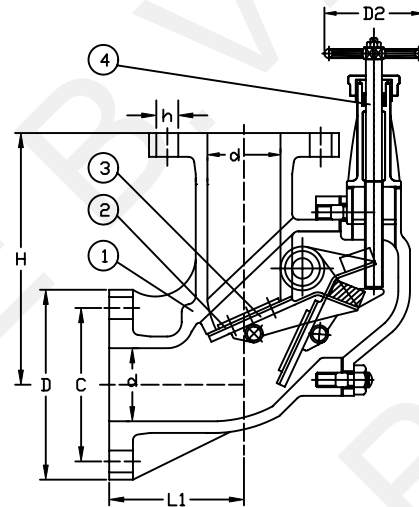
F3060 - JIS 10K Cast Steel Angle Storm Valve

Accordance to JIS F7400

Flanges as per JIS B2220-10K



MXT-113060101
Series F3059



MXT-113060301
Series F3060

Part Nr.	Material	Code
1 - Body	Cast Steel	SC49
2 - Seat	Rubber	NBR
3 - Disc	Bronze	BC6
4 - Stem	Stainless Steel	SUS403

Nominal Dia	Test pressure [kgf/cm ²]
50 to 200	5.1

Type	Size	H	D	C	No.	h	t	L1	D2	Kg
F3059 Vertical	050	210	155	120	4	19	16	-	100	11.5
	065	240	175	140	4	19	18	-	100	16.5
	080	260	185	150	8	19	18	-	125	21.6
	100	280	210	175	8	19	18	-	125	29.6
	125	330	250	210	8	23	20	-	125	43.6
	150	360	280	240	8	23	22	-	125	51.6
	200	459	330	290	12	23	22	-	125	106.5
F3060 Angle	050	170	155	120	4	19	16	90	100	13
	065	200	175	140	4	19	18	110	100	19
	080	220	185	150	8	19	18	120	125	23.8
	100	250	210	175	8	19	18	130	125	34.5
	125	270	250	210	8	23	20	150	125	50
	150	310	280	240	8	23	22	170	125	67
	200	400	330	290	12	23	22	190	125	111

Information provided as an indication and subject to possible modification.
Colours and details can be different then shown in data sheets or pictures.
Merxtrade BV has no liability for any damages by use off any information,
displayed on these pages.