

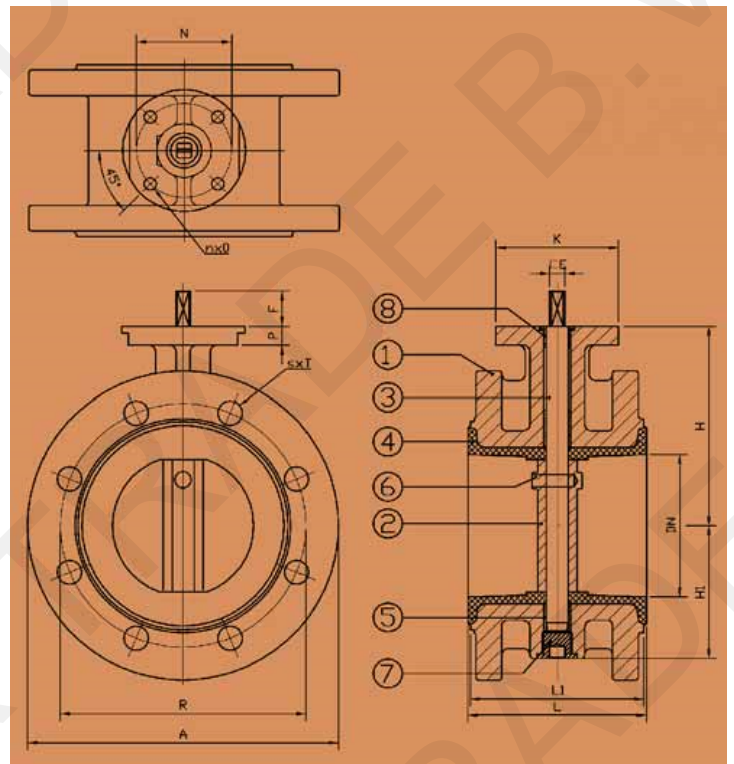
DOUBLE FLANGED BUTTERFLY VALVE



Technical information

- Max. working pressure** 10bar
 - Max. working temperature** 80°C NBR
 - Mounting top flange acc. to** ISO 5211
 - Face to face dimension to** ISO 5752 EN558 S13 DIN3202 F16
 - Flange connection** DIN2501 PN10/16
- (from DN200 PN10 drill)

NR	QTY	Part name	Material
8	1	Supp bearing	PA66
7	1	Cover plug	PA66
6	2	Cil.Pin.	Monel K500
5	2	Bearingbush	EN1982-CuSn7ZnPb
4	1	Seat material	NBR
3	1	Shaft	EN10088-3-1.4122
2	1	Disc material	Aluminium bronze BS1400-AB
1	1	Body material	Ductile Iron (Nodular)



DN	ØA	□E	F	H	H1	ØK	L	L1	N	n x	P	R	SxT
(mm)	(mm)	(mm)	(mm)	(mm)	(mm)	(mm)	(mm)	(mm)	(mm)		(mm)	(pcd)	
50	165	11	25	118	67	90	109.8	108	70	4xø9	12	125	4xø18
65	185	11	25	126	74	90	113.8	112	70	4xø9	12	145	4xø18
80	200	11	25	133	82	90	115.8	114	70	4xø9	14	160	8xø18
100	228	11	25	147	100	90	129.0	127	70	4xø9	14	180	8xø18
125	250	14	28	160	112	90	142.2	140	70	4xø9	14	210	8xø18
150	285	14	28	180	134	90	142.4	140	70	4xø9	14	240	8xø18
200	340	17	28	204	159	90	155.0	152	70	4xø9	14	295	8xø22
250	395	22	30	245	195	125	168.0	165	102	4xø11	15	350	12xø22
300	445	22	30	270	220	125	181.2	178	102	4xø11	15	400	12xø22

Information provided as an indication and subject to possible modification. Colours and details can be different then shown in data sheets or pictures. Merxtrade BV has no liability for any damages by use off any information, displayed on these pages.