

Carbon steel Y strainer flanged Class 300 PN50 for water distribution, gas oil, steam, petrochemical, petroleum industry and gas.

Removable stainless steel filter and bolted bonnet.

Draining cap threaded NPT.



PED 2014/68/UE



**Size :** DN50 to DN400 (NPS 2" to 16")

**Connection :** Flanges RF Class 300 PN50

**Min Temperature :** -29°C

**Max Temperature :** +425°C

**Max Pressure :** 50 Bars

**Specifications :** Removable stainless steel filter

Bolted bonnet with draining cap threaded NPT

**Materials :** Carbon steel ASTM A216 WCB

**SPECIFICATIONS :**

- Removable stainless steel filter
- Flanges R.F. Class 300 (PN50)
- Horizontal or vertical position with descendant fluid (respect the flow direction indicated by the arrow )
- Mesh 1 mm for DN50 (2"), 1.5 mm from DN65 to 400 (2"1/2 to 16")
- Bolted bonnet with draining cap threaded NPT
- Grey acrylic painting RAL 7001 color, 60 µm thickness

**USE :**

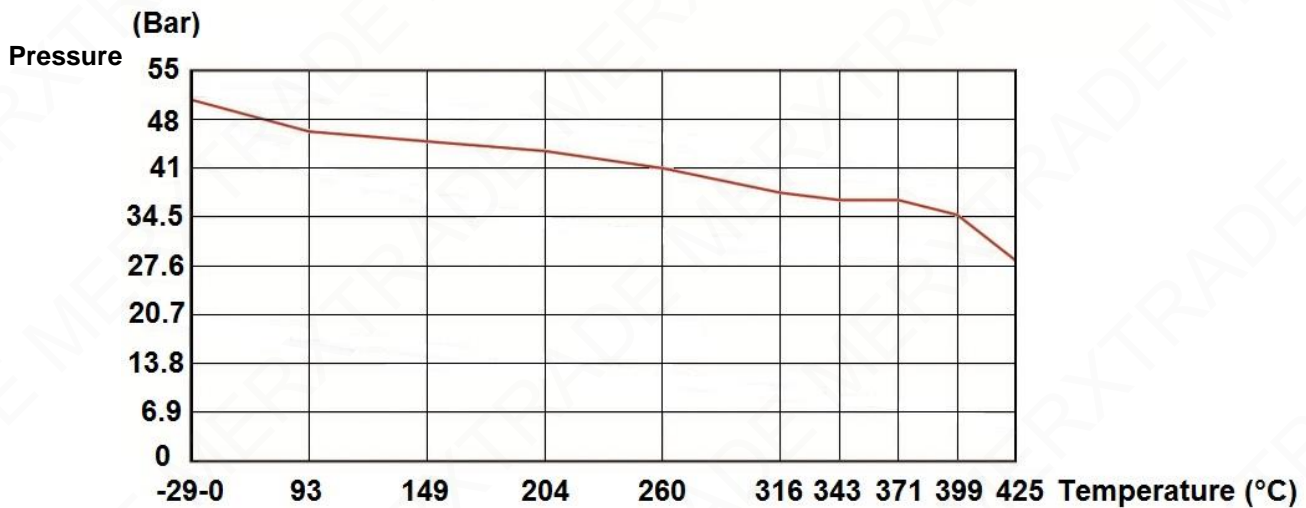
- Water distribution, gas oil, steam, petrochemical, petroleum industry, gas
- Min Temperature Ts : - 29°C
- Max Temperature Ts :+ 425°C
- Max Pressure Ps : 50 bars

**PRESSURE / TEMPERATURE RELATION :**

( According to AMSE B16-34 for A216 WCB )

Pressure ( Bar )	51.1	51.1	46.2	45.1	43.8	41.3	37.9	36.9	36.9	34.8	28.2
Temperature ( °C )	-29	38	93	149	204	260	316	343	371	399	425

**PRESSURE / TEMPERATURE GRAPH :**



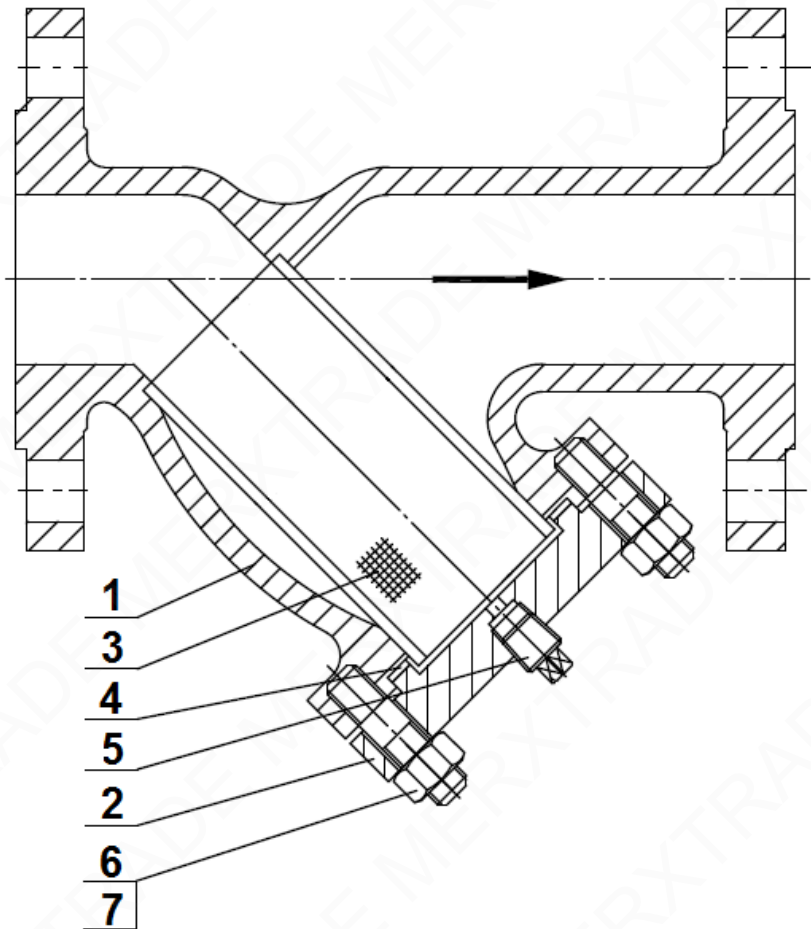
**FLOW COEFFICIENT Kvs ( M3 / h ) :**

DN (mm)	50	65	80	100	150	200	250	300	350	400
NPS (")	2"	2"1/2	3"	4"	6"	8"	10"	12"	14"	16"
Kvs ( m3/h )	32.4	54.8	83.1	129.7	291.2	518.8	810.7	1167.4	1447.1	1923

**RANGE :**

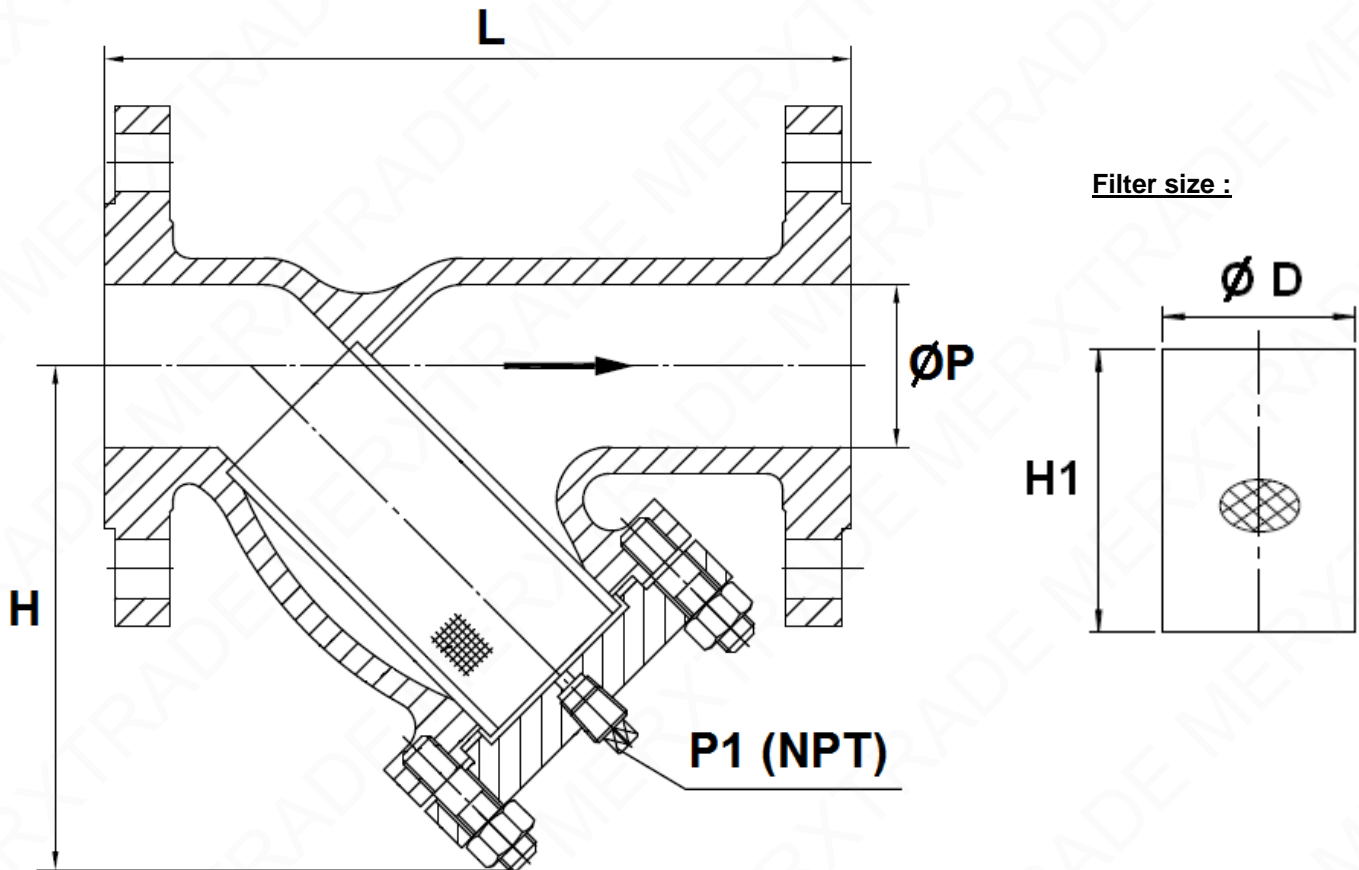
- Carbon steel strainer flanged R.F. Class 300 (PN50) **Ref. 244** from DN 50 to DN 400 ( NPS from 2" to 16" )

**MATERIALS :**

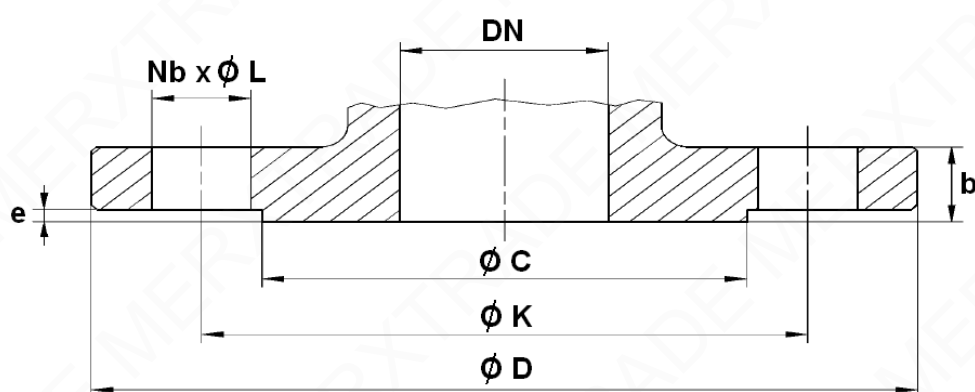


Item	Designation	Materials
1	Body	ASTM A216 WCB
2	Bonnet	ASTM A216 WCB
3	Filter	AISI 304
4	Bonnet gasket	Graphite + AISI 304
5	Draining cap	Steel
6	Stud bolt	ASTM A193 Gr.B7
7	Nut	ASTM A194 Gr.2H

**SIZE ( in mm ) :**



DN (mm)	50	65	80	100	150	200	250	300	350	400
NPS (")	2"	2" 1/2	3"	4"	6"	8"	10"	12"	14"	16"
Ø P	51	64	76	102	152	203	254	305	350	400
L	267	292	318	356	444	559	622	711	838	864
H	140	155	185	225	290	396	485	610	650	740
P1 ( drain NPT )	1/2"	1/2"	1/2"	1/2"	3/4"	3/4"	1"	1"	1" 1/2	1" 1/2
Ø D	55	65	80	105	150	190	235	280	340	390
H1	110	120	135	175	210	275	355	365	435	465
Mesh	1	1.5	1.5	1.5	1.5	1.5	1.5	1.5	1.5	1.5
Weight ( Kg )	11	15	20	34	60	101	154	218	490	620
Ref.	244050	244065	244080	244100	244150	244200	244250	244300	244350	244400

**FLANGES SIZE ( in mm ) :**


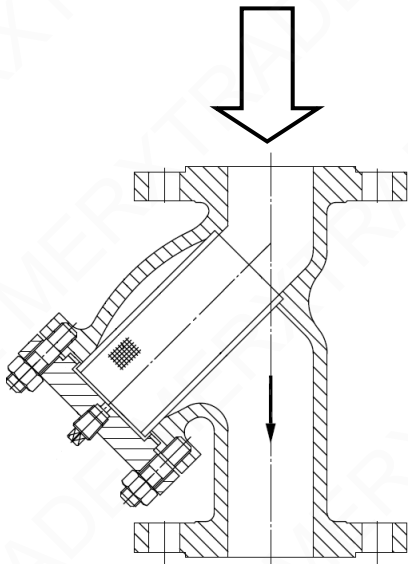
DN (mm)	50	65	80	100	150	200	250	300	350	400
NPS (")	2"	2"1/2	3"	4"	6"	8"	10"	12"	14"	16"
$\varnothing C$	92.1	104.8	127	157.2	215.9	269.9	323.8	381	412.8	469.9
$\varnothing D$	165	190	210	255	320	380	445	520	585	650
$\varnothing K$	127	149.2	168.3	200	269.9	330.2	387.4	450.8	514.4	571.5
Nb x $\varnothing L$	8 x 19	8 x 22	8 x 22	8 x 22	12 x 22	12 x 26	16 x 29	16 x 32	20 x 32	20 x 35
b	22.7	25.9	29	32.2	37	41.7	48.1	51.3	54.4	57.6
e	2	2	2	2	2	2	2	2	2	2

**STANDARDS :**

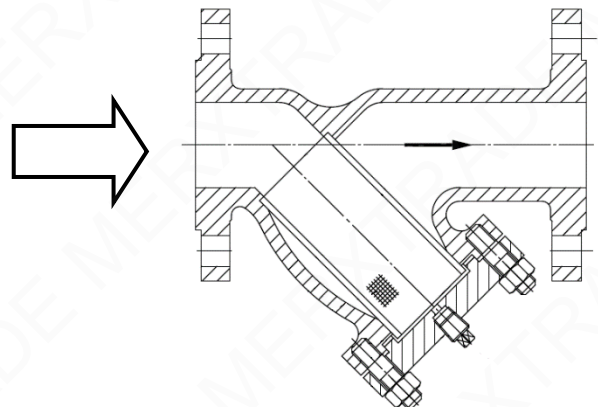
- Manufacturer certified ISO 9001: 2015 and ISO 14001: 2015
- DIRECTIVE 2014/68/EU : CE N° 0036  
Risk category III module H
- Certificate 3.1 on request
- Designing according to ASME B16.34
- Pressure tests according to API 598, table 6
- Length according to ASME B16.10 table 2 series 15 up to DN300, series 17 from DN350 to 400, EN 558 series 21 excepted DN200
- Flanges R.F. according to ASME B16.05 Class 300
- Materials according to NACE MR 01-75 **on request**

**INSTALLATION POSITIONS :**

**Vertical position ( descendand fluid )**



**Horizontal position**



**ADVICE :** Our opinion and our advice are not guaranteed and MERXTRADE shall not be liable for the consequences of damages. The customer must check the right choice of the products with the real service conditions.