

## Water pressure regulator

For high pressures



# Water pressure regulator

## 1. content

1. content
2. Water pressure regulator
  - 2.1. Description
  - 2.2. Technical specifications
  - 2.3. setting
  - 2.4. Installation instructions
  - 2.5. spare Parts
3. Flow diagrams
4. Measurements
  - 4.1. Water pressure regulator

## 2. Water pressure regulator

### 2.1. description

Pressure regulators protect water installations from excessive line pressure. They can also be used for industrial and commercial use in compliance with specifications. In use, pressure fluctuations are avoided and water consumption is reduced. The set pressure is kept constant at different pressures. At the same time, disturbing flow noise is reduced.

### 2.2. Technical specifications

#### Water pressure regulator for high pressures

**max 40 bar**

Design: non-reversible (without secondary venting)  
 Materials: Body: brass, diaphragm and seals: NBR  
 Temperature range: 0 ° C to max. + 90 ° C  
 Input pressure: max. 40 bar  
 Pressure gauge connection: G 1/4 "  
 Control Board Thread: 1/4 G: M 20 x 1.5, DRW 3/4 G: M 28 x 1.5 "  
 Media: Water

Optional: other control ranges: 0.5 - 6 bar -6, 0.5 - 16 bar -16, 0.5 - 25 bar -25

Typ	Thread	D	L	H	H1	Pressure-range	Manometer - range
Flow 2,5 l/min*	G 1/4"	36	45	104	23	0,5 - 6-10-16-25 bar	0 - 25 bar
Flow 15 l/min*	G 1/2"	67	72	145	30	0,5 - 6-10-16-25 bar	0 - 25 bar
Flow 24 l/min*	G 1"	116	83	216	41	0,5 - 6-10-16-25 bar	0 - 25 bar
Flow 56 l/min*	G 1 1/2"	116	114	240	50	0,5 - 6-10-16-25 bar	0 - 25 bar

\*measure point P<sub>1</sub> = 7 bar, P<sub>2</sub> = 6 bar, Δp = 1 bar



### 2.3. setting

Turn the handwheel (at 25 bar set screw) clockwise until the desired pressure is indicated. The setting should be secured by the locknut.

### 2.4. Installation instructions

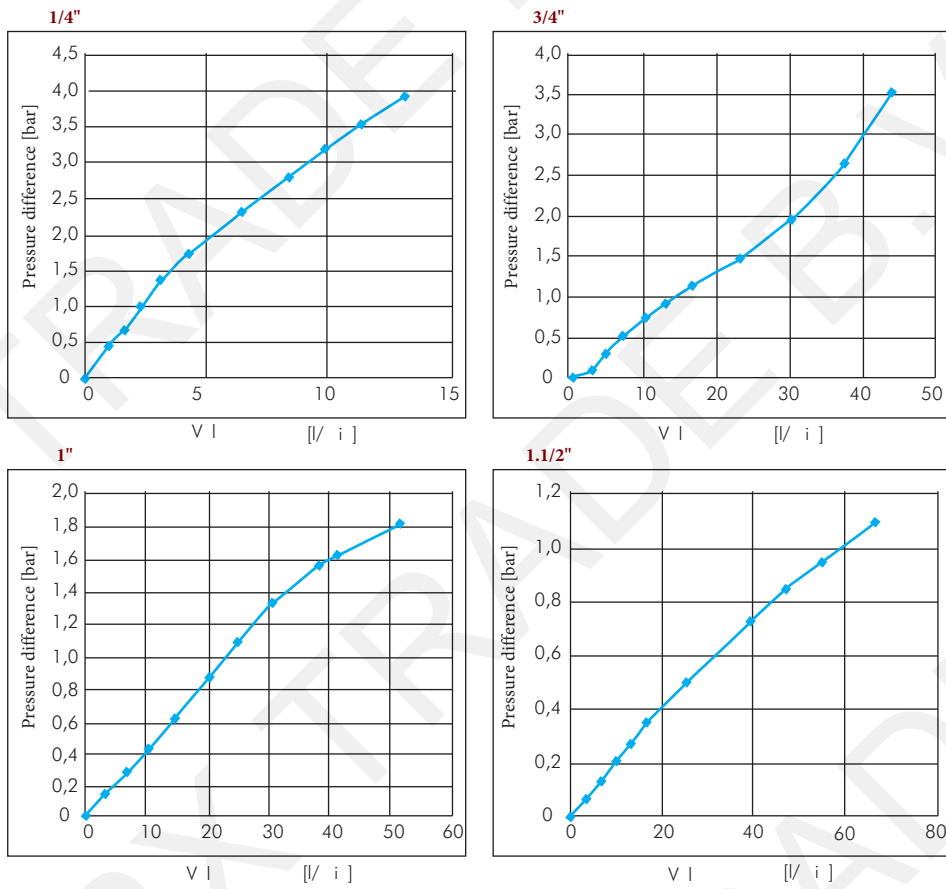
It is recommended to connect a filter. Install in the house connection directly after the filter. Installation belie-big. Pay attention to the correct flow direction.

### 2.5. Spare Parts

Seal cone complete  
 Membrane complete

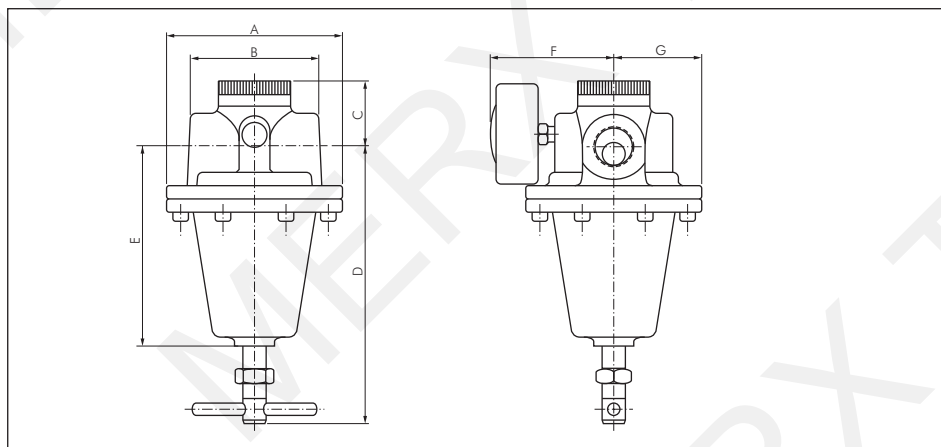
# Water pressure regulator

## 3. Volume flow diagrams



## 4. Measurements

### 4.1. Water pressure regulator



	A	B	C	D	E	F	G
G 1/4"	45	45	23	81	56	50	18
G 1/2"	72	72	30	115	76	55	36
G 1"	116	83	41	175	125	80	58
G 1 1/2"	116	114	50	190	140	80	58