

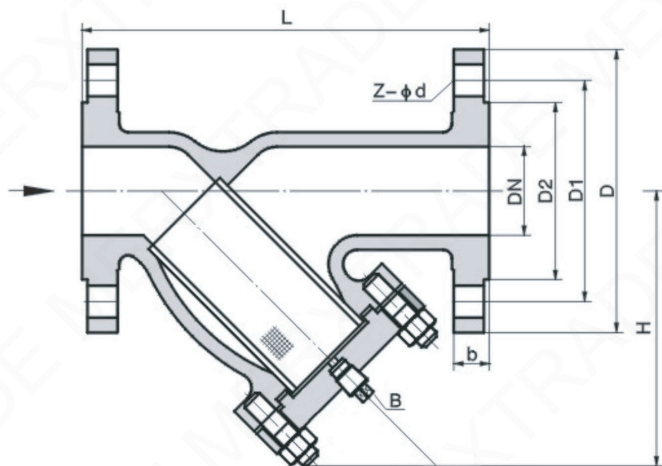
## Stainless Steel Y Strainer - Flanged PN16

Flanged PN16, CF8M Stainless Steel Body, 316 Stainless Steel Cover & Screen



Pressure / Temperature Specifications	
Pressure	PN16
Temperature	-20°C to 180°C

Material Specifications	
1. Body	CF8M Stainless Steel
2. Filter	316 Stainless Steel
3. Gasket	PTFE
4. Cover	316 Stainless Steel



Dimensions										
DN	L	D	D1	D2	b	Z - Ød	H	B	Mesh	Kg
½"	130	95	65	45	14	4 - 14	70	-	40	2.0
¾"	150	105	75	55	14	4 - 14	70	-	40	2.7
1"	160	115	85	68	14	4 - 14	80	-	40	3.5
1½"	200	145	110	88	16	4 - 18	100	½" BSPT	40	6.1
2"	230	160	125	120	16	4 - 18	130	½" BSPT	40	8.1
2½"	290	160	125	120	16	4 - 18	130	½" BSPT	40	12.3
3"	310	180	145	122	18	4 - 18	165	½" BSPT	40	15.5
4"	350	195	160	138	20	8 - 18	195	½" BSPT	40	22.0
6"	480	215	180	158	22	8 - 18	230	½" BSPT	40	45.1

