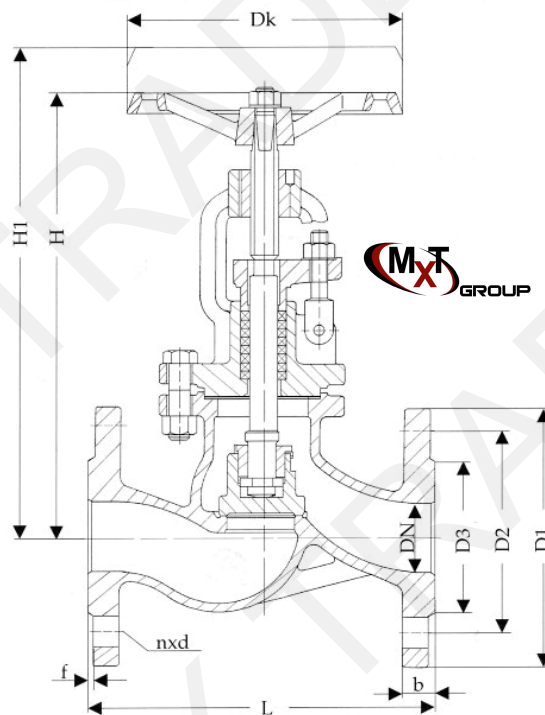


Globe valve Stainless-steel straight fixed disc.

Pressure class PN 40
 Complete in stainless steel 1.4408
 DIN 86251-01 (except hand wheel)
 Face to face acc. to DIN 3202/EN 558 F1/F32
 Flanges acc. to DIN PN 40
 Working pressure and temperature acc. to DIN 2401

material specification:

body:	<u>GX5CrNiMo19-11-2</u>	<u>Stainless-steel 1.4408</u>
bonnet:	<u>GX5CrNiMo19-11-2</u>	<u>Stainless-steel 1.4408</u>
seat:	<u>GX5CrNiMo19-11-2</u>	<u>Stainless-steel 1.4408</u>
disc:	<u>X6CrNiMoTi17-12-2</u>	<u>Stainless-steel 1.4571</u>
stem:	<u>X6CrNiMoTi17-12-2</u>	<u>Stainless-steel 1.4571</u>



NW/DN	L	D1	D2	Holes	H	H1	DK	KG
15	130	95	65	4 x 14	190	198	120	3,8
20	150	105	75	4 x 14	230	240	120	5,4
25	160	115	85	4 x 14	230	240	140	6,0
32	180	140	100	4 x 18	235	255	140	8,3
40	200	150	110	4 x 18	265	290	160	11
50	230	165	125	4 x 18	285	310	160	14
65	290	185	145	8 x 18	285	315	180	18
80	310	200	160	8 x 18	310	350	200	27
100	350	235	190	8 x 22	340	370	225	38
125	400	270	220	8 x 26	405	445	225	66
150	480	300	250	8 x 26	470	520	300	104