

BRASS SWING CHECK VALVE METAL SEAT FEMALE BSP PN10

Brass swing check valve for water distribution, watering and heating.
Brass CW617N-4MS body, strainer and disc for a better strength mechanical.
Metal seat
Horizontal or Vertical position with ascendant fluid.



Size : DN3/8" to DN4"

Connection : Female BSP

Min Temperature : +0°C

Max Temperature : +90°C

Max Pressure : 10 Bars

Specifications : Horizontal or Vertical Position with ascending fluid
Swing type
Metal seat

Materials : Brass CW617N-4MS according to EN 12165

BRASS SWING CHECK VALVE METAL SEAT FEMALE BSP PN10

SPECIFICATIONS :

- Brass CW617N-4MS
- Vertical position with ascendant fluid or horizontal position (respect the flow direction indicated by the arrow)
- Cylindrical threaded female BSP ends
- Swing type
- Metal / metal tightness

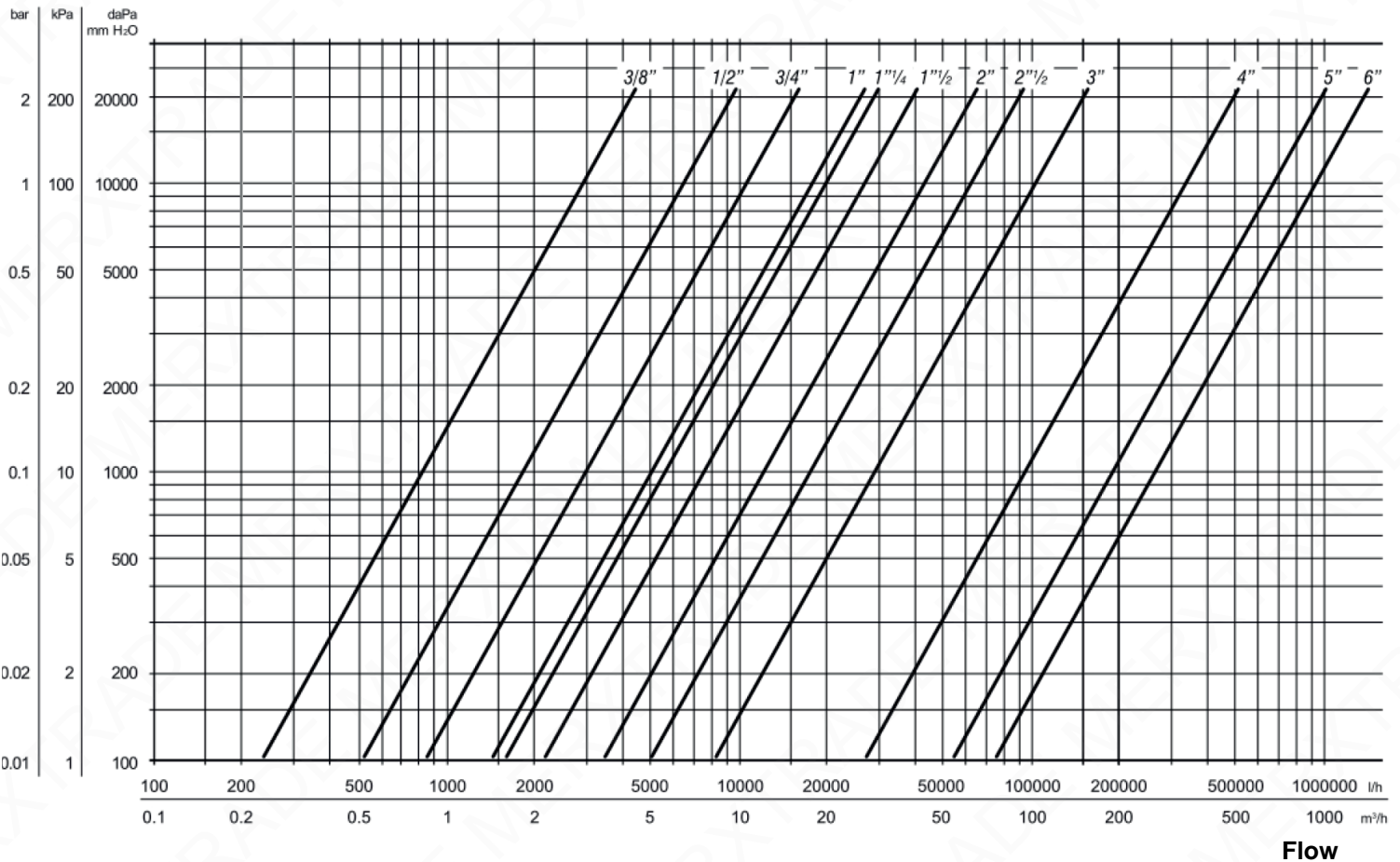
USE :

- Heating, water distribution and watering
- Min Temperature Ts : + 0°C
- Max Temperature Ts :+ 90°C
- Max Pressure Ps : 10 bars

RANGE :

- Swing check valve threaded BSP cylindrical ends with metal/metal tightness PN10 from DN3/8" to DN4" **Ref. 301**

HEAD LOSS GRAPH :

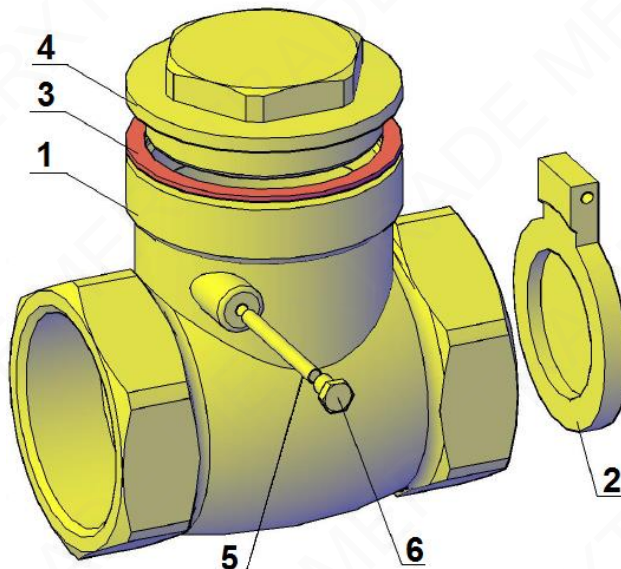


BRASS SWING CHECK VALVE METAL SEAT FEMALE BSP PN10

FLOW COEFFICIENT Kvs (M3 / h) :

DN	3/8"	1/2"	3/4"	1"	1"1/4	1"1/2	2"	2"1/2	3"	4"
Kvs (m3/h)	2.9	6.5	10.5	17.8	19.8	26.7	42.8	61.4	103	336

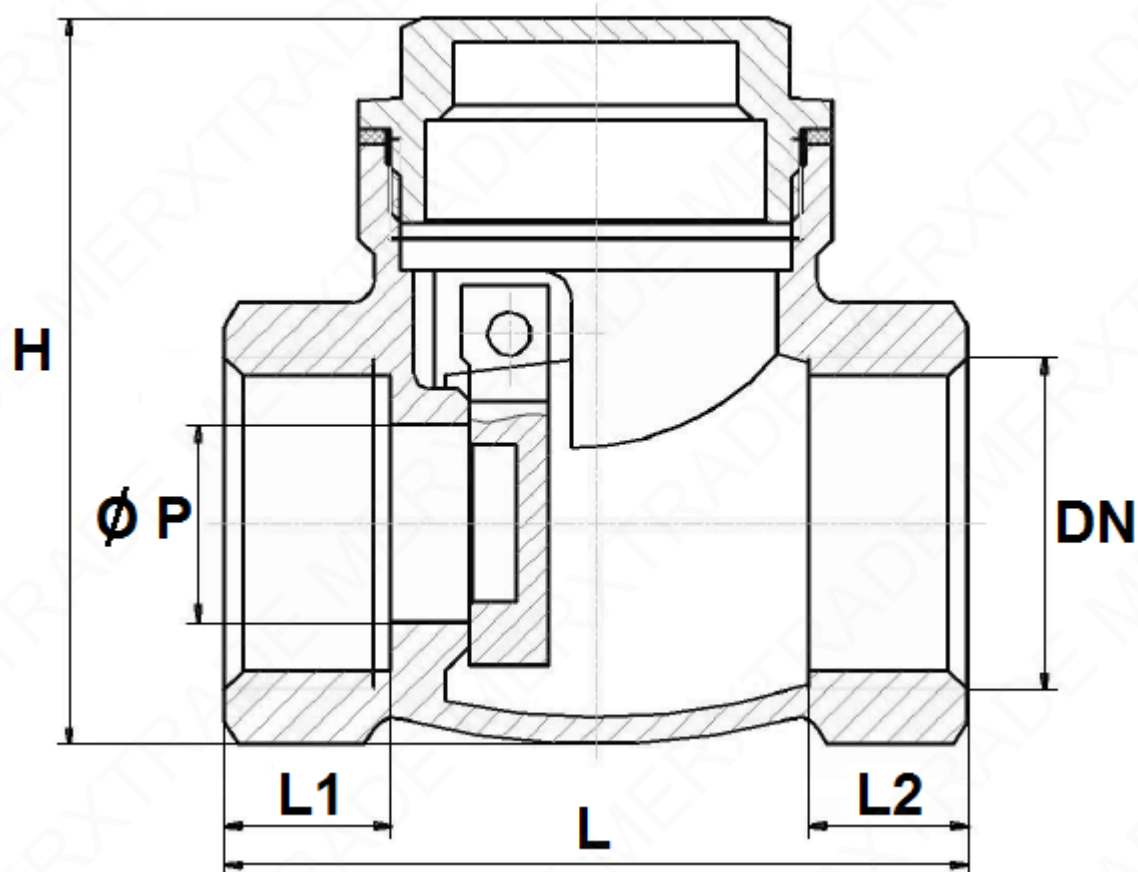
MATERIALS :



Item	Designation	Materials DN3/8" to DN2"	Materials DN2"1/2 to DN4"
1	Body	Brass CW617N-4MS according to EN 12165	
2	Disc		
3	Bonnet gasket	Fibers	NBR
4	Bonnet	Brass CW617N-4MS according to EN 12165	
5	Stem	Brass Hpb59-1	
6	Stem screw		

BRASS SWING CHECK VALVE METAL SEAT FEMALE BSP PN10

SIZE (in mm) :



DN	3/8"	1/2"	3/4"	1"	1"1/4	1"1/2	2"	2"1/2	3"	4"
Ø P	12	12.5	18.5	23.5	30	35	47	55	68	88
L	47	47	53	63	70	88	97	116	135	164
L1	10.5	10.5	12	13.5	17	18	19.5	16	16	20
L2	10.5	10	12	12	14.5	17	19.5	16	16	20
H	46	46	52	62	73	92	102	113	133	166
Weight (Kg)	0.12	0.14	0.20	0.34	0.43	0.76	1	1.57	1.88	3.76
Ref.	301003	301004	301005	301006	301007	301008	301009	301010	301011	301012

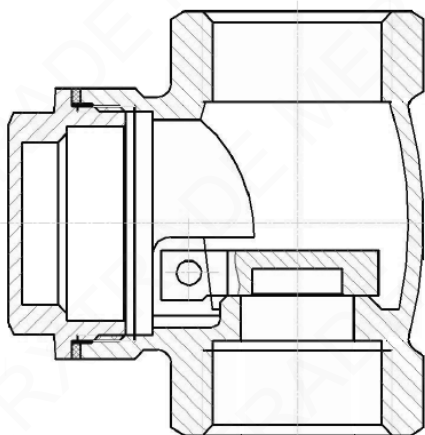
BRASS SWING CHECK VALVE METAL SEAT FEMALE BSP PN10

STANDARDS :

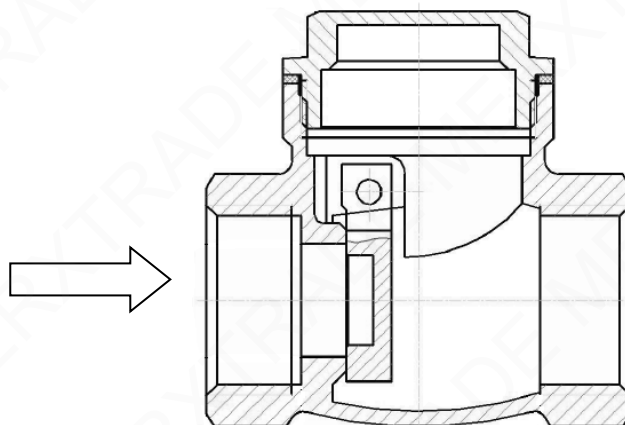
- Manufacturer certified ISO 9001:2015
- DIRECTIVE 2014/68/UE : Products excluded from directive (Article 1, § 2.b)
- Threaded female BSP cylindrical ends according to ISO 228-1

INSTALLATION POSITIONS :

Vertical position (ascendant fluid)



Horizontal position



ADVICE : Our opinion and our advice are not guaranteed and MERXTRADE shall not be liable for the consequences of damages. The customer must check the right choice of the products with the real service conditions.