

STAINLESS STEEL SIGHT GLASS WITH DOME AND ROTOR

FEATURES

The MXT sight glass with dome and rotor is designed for the visual inspection of flow for fluids inside piping. Made of stainless steel with a PP rotor and a glass dome, it is especially designed for process fluids. The dome type provides particularly easy visibility. Horizontal mounting on installations. Unidirectional operation.

AVAILABLE MODELS

MXT-2: G 1/4" to G 1" G thread connections



LIMITS OF USE

Fluid WP:	16 bar
Fluid WT°:	-5°C / +80°C



DIRECTIVES AND MANUFACTURING STANDARDS

OBJECT	Standard
Pressure Equipment Directive 97/23/EC	A3 § 3 non-submitted
Stainless steel grade	EN 10213-4
Threaded connection	BSPP-ISO 228

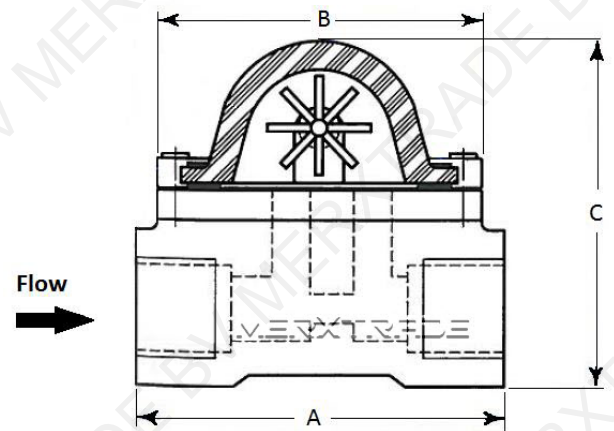
FLOW-RATE TABLE

DN	Minimum flow-rate (l/minute)	Maximum flow-rate (l/minute)	ΔP (v = 2 m/s) bar
G 1/4"	0.8	31	0.15
G 3/8"	0.9	41	0.18
G 1/2"	1.1	56	0.21
G 3/4"	1.4	95	0.2
G 1"	2.0	145	0.5

MXT-2 STAINLESS STEEL SIGHT GLASS WITH DOME AND ROTOR

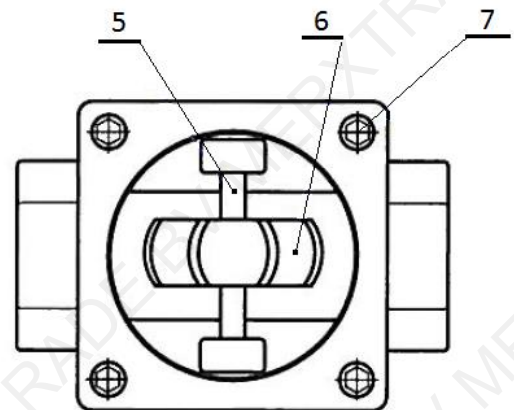
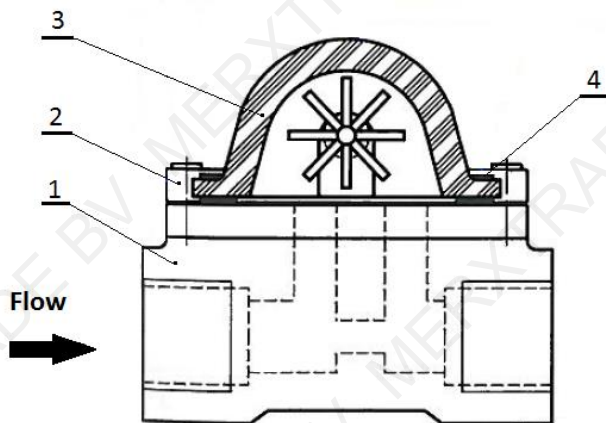
DIMENSIONS (mm) AND WEIGHT (kg)

DN	A	B	C	Weight (kg)
G 1/4"	76	63	65	0.5
G 3/8"	76	63	65	0.7
G 1/2"	76	63	65	1.1
G 3/4"	89	63	83	1.2
G 1"	89	63	83	1.4



CONSTRUCTION

No.	Name	Material
1	Body	1.4408 SS
2	Cover	1.4408 SS
3	Dome	Toughened glass
4	Gasket	FPM
5	Rotor guide	1.4408 SS
6	Rotor	PP + 10% glass fibre
7	Bolt	Stainless steel



ASSEMBLY AND SERVICING

Cut-off the piping upstream and downstream, depressurize, bleed and wait for it to cool down at ambient temperature before installation.

Loosen bolts, remove the cover, clean the glass dome and the internal parts.

Reassemble the parts in the reverse order.

Put the installation back in operation.