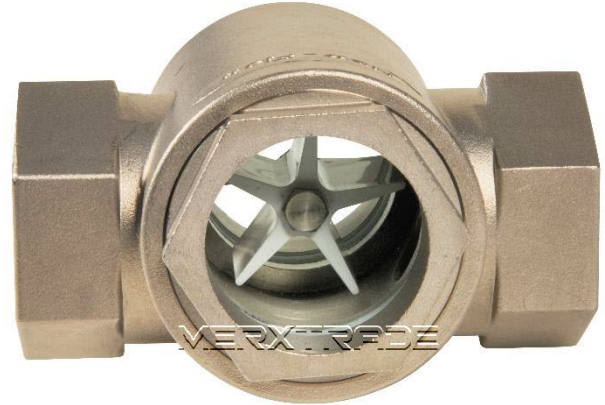


STAINLESS STEEL DOUBLE-WINDOW SIGHT GLASS WITH ROTOR

FEATURES

The MXT sight glass is designed for the visual inspection of flow for fluids inside piping. Made of 316 stainless steel with an ABS rotor, it is especially designed for process fluids. The double-window type sight glass provides particularly easy visibility.

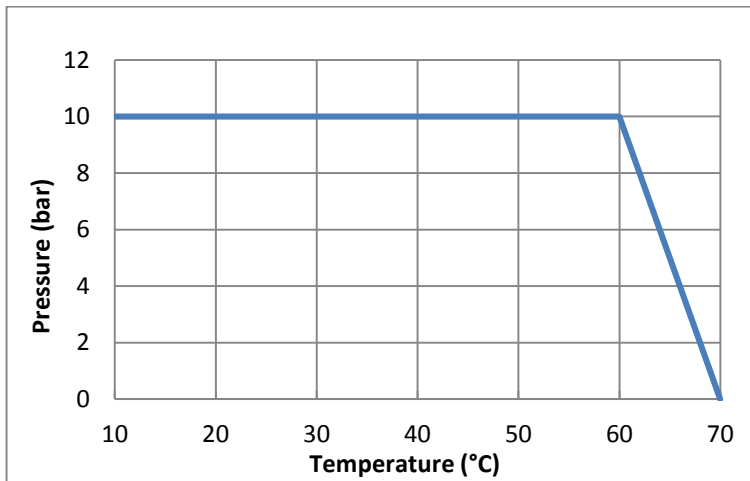


AVAILABLE MODELS

DN 15 to DN 50.
G threaded connection.

LIMITS OF USE

Fluid WP:	10 bar
Fluid WT°:	- 10 °C / + 70 °C



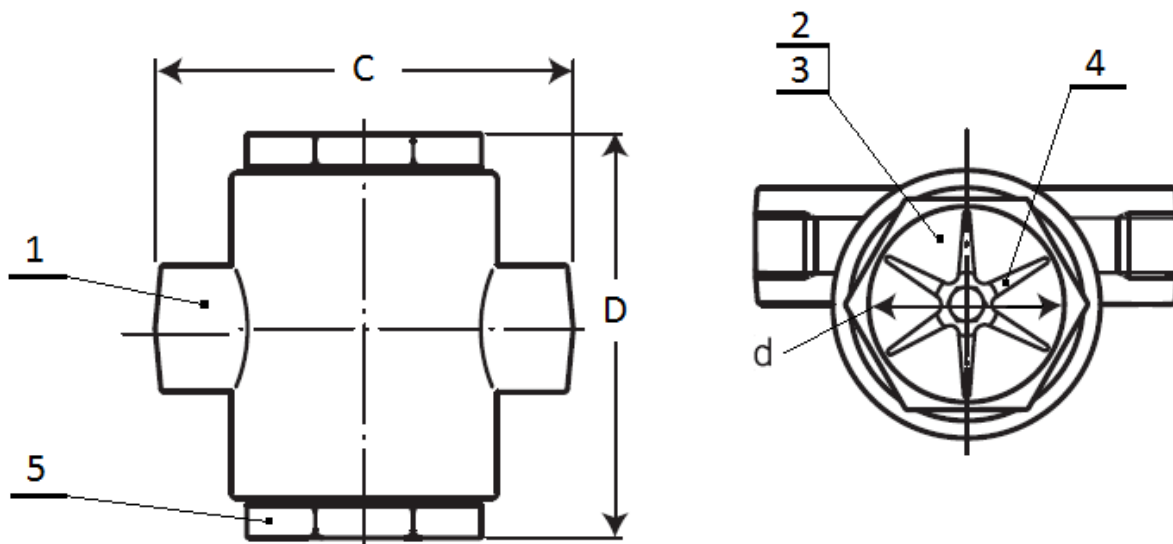
DIRECTIVES AND MANUFACTURING STANDARDS

OBJECT	Standard	ON	OBJECT	Standard
Pressure Equipment Directive 97/23/EC	DN 15 and 25: not subject	1128	Stainless steel grades	EN 1503-1
	DN 32 to 50 : category I		Size	EN 12516-4
G thread-BSPP	BSPP-ISO 228		Material certificate	EN 10204 § 3.1

STAINLESS STEEL DOUBLE-WINDOW SIGHT GLASS WITH ROTOR

DIMENSIONS (mm) AND CONNECTIONS

DN	15	20	25	32	40	50
C	100	100	109	109	150	150
D	80	80	96	96	110	110
d	40	40	40	40	57	57
G	1/2"	3/4"	1"	1"1/4	1"1/2	2"
Weight (kg)	1	1.1	01:23	2.8	2.5	4.1

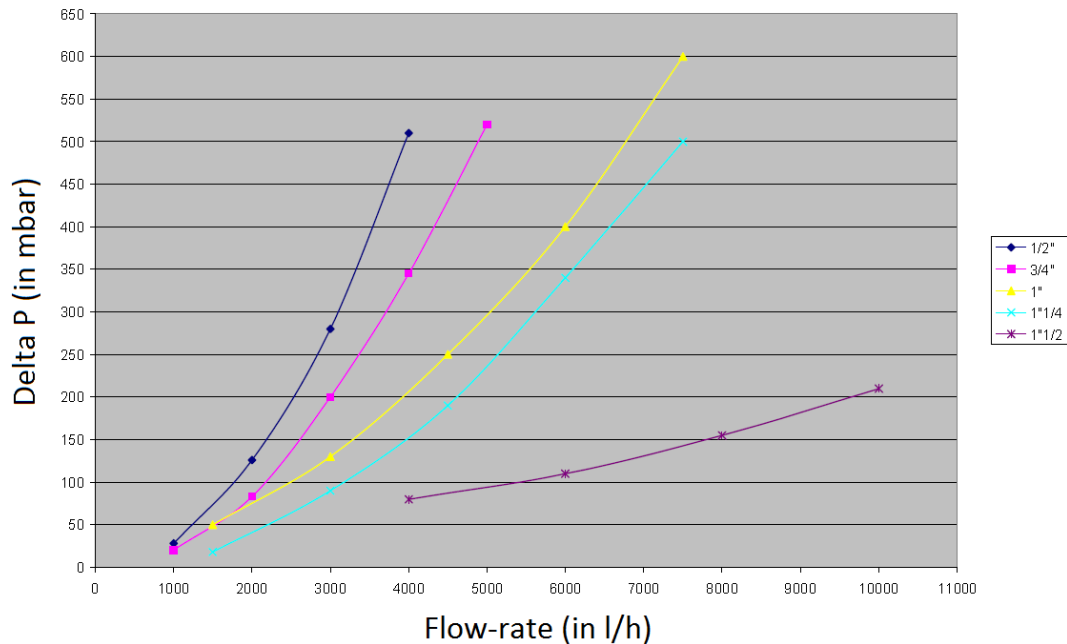


CONSTRUCTION

No.	Name	Qty	Material
1	Body	1	1.4408 SS
2	Window gasket	4	PTFE
3	Window	2	Toughened glass
4	Rotor	1	White ABS
5	Tightening nut	2	1.4408 SS

STAINLESS STEEL DOUBLE-WINDOW SIGHT GLASS WITH ROTOR

PRESSURE DROP DIAGRAM (mbar)



INSTALLATION

- 1 - Before any installation, cut-off the piping upstream and downstream.
- 2 - Depressurize and drain the piping.
- 3 - Wait for it to cool down to ambient temperature.
- 4 - Wear the safety equipment required for this type intervention (gloves and goggles).
- 5 - Horizontal or vertical installation.
- 6 - Screw the sight glass onto the piping using a suitable gasket.
- 7 - Position the device so as to make the windows visible to operators.

SERVICING

- 1 - Unscrew the tightening nuts and remove the gaskets and the windows.
- 2 - Clean the internal parts.
- 3 - Check the state of the window, detect any beginning of corrosion or erosion, and replace it if needed.
- 4 - Put the installation back in service.

SPARE PARTS

spare kit (2 x windows - 4 x Gaskets - 1 x Rotor)			
DN	Ø	Thickness (mm)	Code
15	52	6	981050
20	52	6	
25	52	6	
32	52	6	981051
40	73	10	981052
50	73	10	