

FORGED Y PATTERN GLOBE VALVE CARBON STEEL A105N CLASS 1500 TRIM 5 SW

Forged carbon steel Y pattern gate valve TRIM5 Class 1500 full bore for petroleum industry, steam, oil and gas and high pressure.

Rising and rotating stem (OS&Y) with welded bonnet.

Graphite packing.

Compatible with explosive atmosphere, ATEX Zone 1&21 and Zone 2&22.



PED 2014/68/UE



Size : DN15 to DN50 (NPS 1/2" to 2")

Connection : SW

Min Temperature : -29°C

Max Temperature : +425°C

Max Pressure : 255 Bars (Class 1500)

Specifications : Rising and rotating stem (OS&Y)

Welded bonnet

Full bore

Materials : Forged carbon steel ASTM A105N

FORGED Y PATTERN GLOBE VALVE CARBON STEEL A105N CLASS 1500 TRIM 5 SW

SPECIFICATIONS :

- Respect the flow direction (indicated by the arrow)
- Full bore
- Rising stem (OS&Y)
- Welded bonnet
- Bolted gland pack
- Forged carbon steel A105N
- Full stellite (Trim 5)
- Class 1500

USE :

- Petroleum industry, steam, high pressure
- Min and max Temperature Ts : - 29°C to + 425°C
- Max Pressure Ps : 255 bars (see graph)

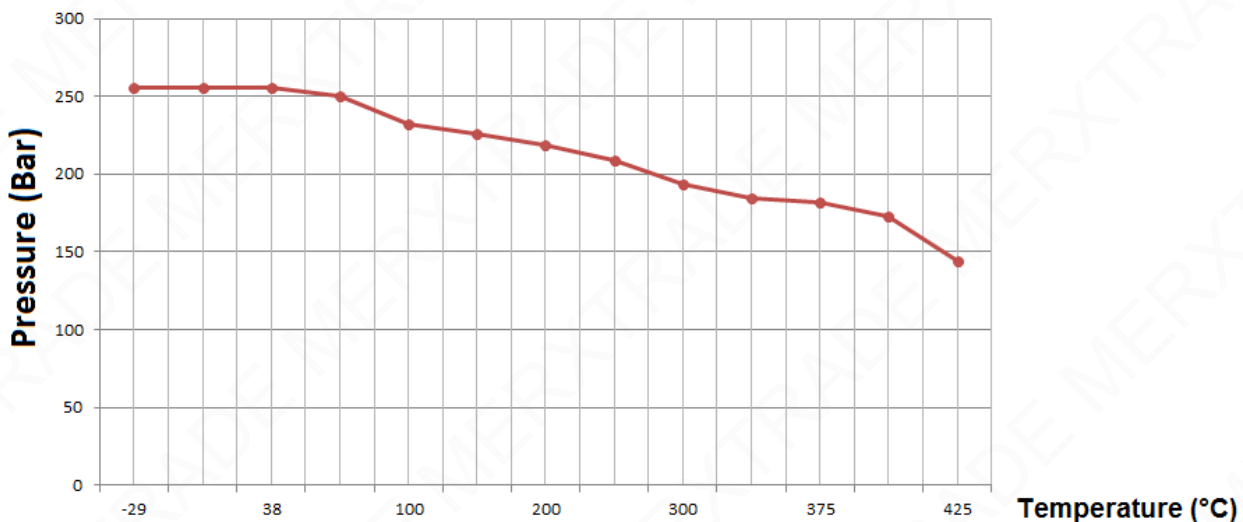
FLOW COEFFICIENT Kvs (M3 / h) :

DN (mm)	15	20	25	32	40	50
NPS (")	1/2"	3/4"	1"	1"1/4"	1"1/2"	2"
Kvs (m3/h)	3.9	8.7	13.8	19.9	40.7	69.3

PRESSURE / TEMPERATURE RELATION :

Pressure (bar)	255.3	255.3	255.3	250.4	231.9	226.1	219.1	208.6	193.7	184.8	182.3	172.5	143.8
Temperature (°C)	-29	0	38	50	100	150	200	250	300	350	375	400	425

PRESSURE / TEMPERATURE GRAPH :

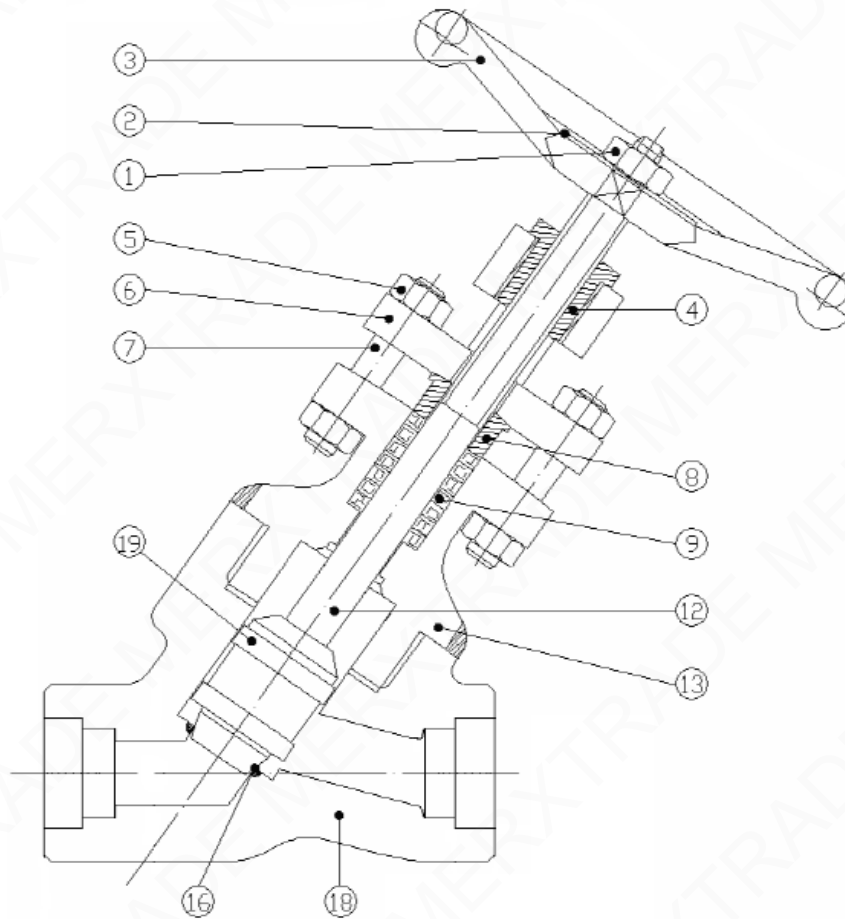


FORGED Y PATTERN GLOBE VALVE CARBON STEEL A105N CLASS 1500 TRIM 5 SW

RANGE :

- Forged Y pattern globe valve A105N with Socket Welding ends **Ref.405** from DN 15 to 50 (NPS 1/2" to 2")

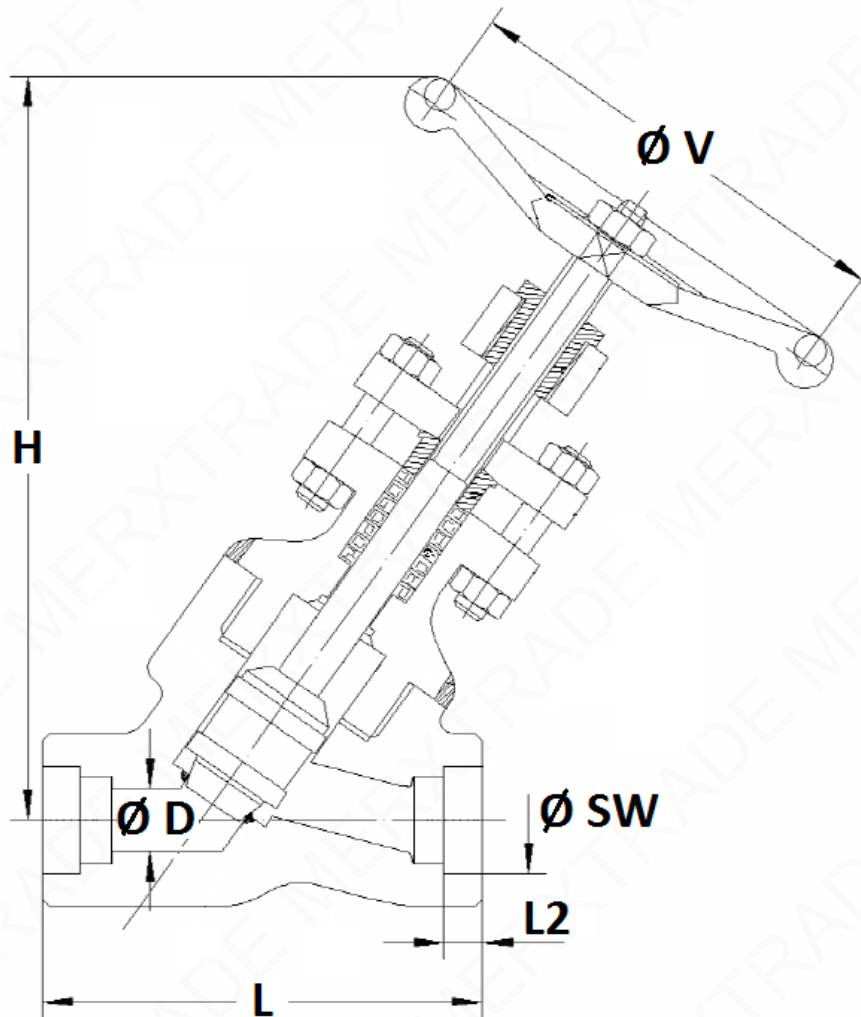
MATERIALS :



Item	Designation	Materials
1	Handwheel nut	Carbon steel
2	ID plate	Aluminium
3	Handwheel	Carbon steel
4	Yoke nut	ASTM A473 type 416
5	Gland nut	ASTM A194 2H
6	Gland flange	ASTM A105
7	Gland stud	UNS S41000
8	Gland	UNS S41000
9	Packing	Graphite
12	Stem	ASTM A276 type 410
13	Bonnet	ASTM A105N
16	Seat	Stellite GR.6
18	Body	ASTM A105N
19	Disc	ASTM A276 type 410 stellite

FORGED Y PATTERN GLOBE VALVE CARBON STEEL A105N CLASS 1500 TRIM 5 SW

SIZE (in mm) :



DN (mm)	15	20	25	40	50
NPS (")	1/2"	3/4"	1"	1 1/2"	2"
Ø D	11	15	19.5	31.5	39
L	110	142	142	170	180
H (opened)	195	240	250	380	420
Ø V	110	130	130	180	180
L2	12.7	14.5	16	19	22
Ø SW	21.8	27.2	33.9	48.8	61.2
Weight (in Kg)	2.3	5.1	5	10.1	12.7
Ref.	405015	405020	405025	405040	405050

FORGED Y PATTERN GLOBE VALVE CARBON STEEL A105N CLASS 1500 TRIM 5 SW

STANDARDS :

- Manufacturer certified **ISO 9001 : 2015**
- **DIRECTIVE 2014/68/EU : CE N° 0036**
Risk category III module H
- Certificate 3.1 on request
- Designing according to **ISO 15761** and **API 602** 8th
- Pressure Tests according to **API 598, table 6**
- Valves approved by the main oil industries (certificates on request)
- **ATEX Group II Category 2 G/2D T3 Zone 1 & 21 Zone 2 & 22** (optional marking) according to directive 2014/34/EU
- S.W. ends according to **ASME B16.11** and **ISO 15761**

ADVICE : Our opinion and our advice are not guaranteed and MERXTRADE shall not be liable for the consequences of damages. The customer must check the right choice of the products with the real service conditions.