

FORGED CARBON STEEL A105N GLOBE VALVE CLASS 800 TRIM 5 WELDED BONNET SW

Forged carbon steel gate valve TRIM5 SW Class 800 standard bore for petroleum industry, steam, oil and gas and high pressure.

Rising and rotating stem (OS&Y) with welded bonnet.

Graphite packing.

Compatible with explosive atmosphere, ATEX Zone 1&21 and Zone 2&22.



Size : DN15 to DN50 (NPS 1/2" to 2")

Connection : SW

Min Temperature : -29°C

Max Temperature : +425°C

Max Pressure : 136 Bars (Class 800)

Specifications : Rising and rotating stem (OS&Y)
Welded bonnet
Standard bore

Materials : Forged carbon steel ASTM A105N

FORGED CARBON STEEL A105N GLOBE VALVE CLASS 800 TRIM 5 WELDED BONNET SW

SPECIFICATIONS :

- Respect the flow direction (indicated by the arrow)
- Standard bore
- Rising rotating stem (OS&Y)
- Welded bonnet
- Bolted gland pack
- Forged carbon steel A105N
- Full stellite (Trim 5)
- Class 800

USE :

- Petroleum industry, steam, high pressure
- Min and max Temperature Ts : - 29°C to + 425°C
- Max Pressure Ps : 136 bars (see graph)

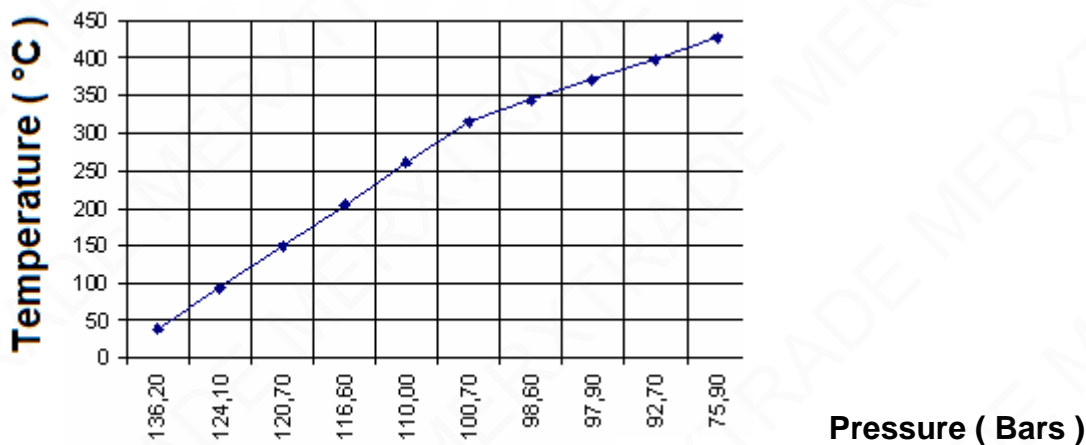
FLOW COEFFICIENT Kvs (M3 / h) :

DN (mm)	15	20	25	32	40	50
NPS (")	1/2"	3/4"	1"	1"1/4	1"1/2	2"
Kvs (m3/h)	1.3	3.3	5.9	9.5	12.4	21.6

PRESSURE / TEMPERATURE RELATION :

Pressure (bar)	136,2	136,2	136,2	124,1	120,7	116,6	110	100,7	98,6	97,9	92,7	75,9
Temperature (°C)	-29	0	38	93,5	149	204,5	260	315,5	343,5	371	399	425

PRESSURE / TEMPERATURE GRAPH :

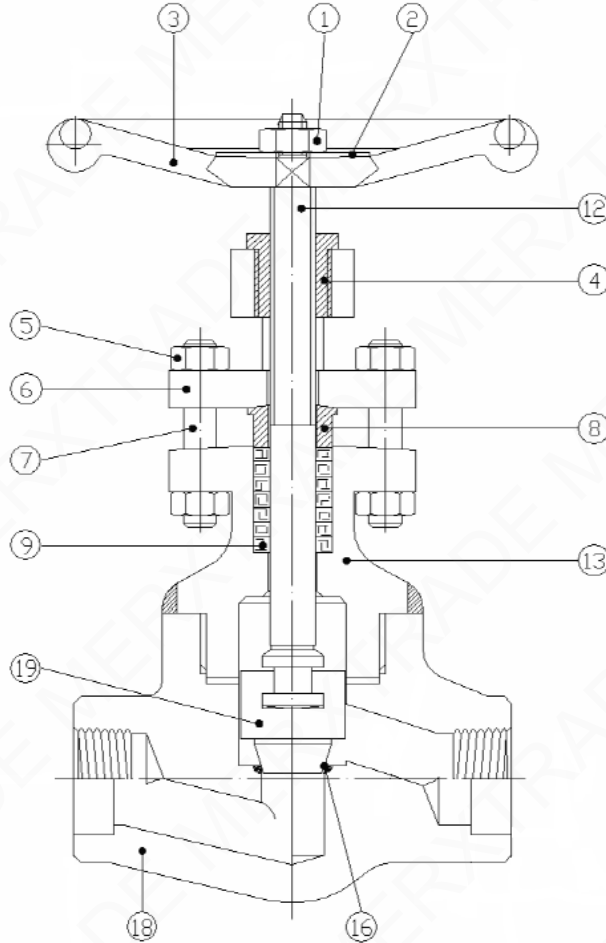


FORGED CARBON STEEL A105N GLOBE VALVE CLASS 800 TRIM 5 WELDED BONNET SW

RANGE :

- Forged globe valve A105N with Socket Welding ends **Ref.417** from DN 15 to 50 (NPS 1/2" to 2")

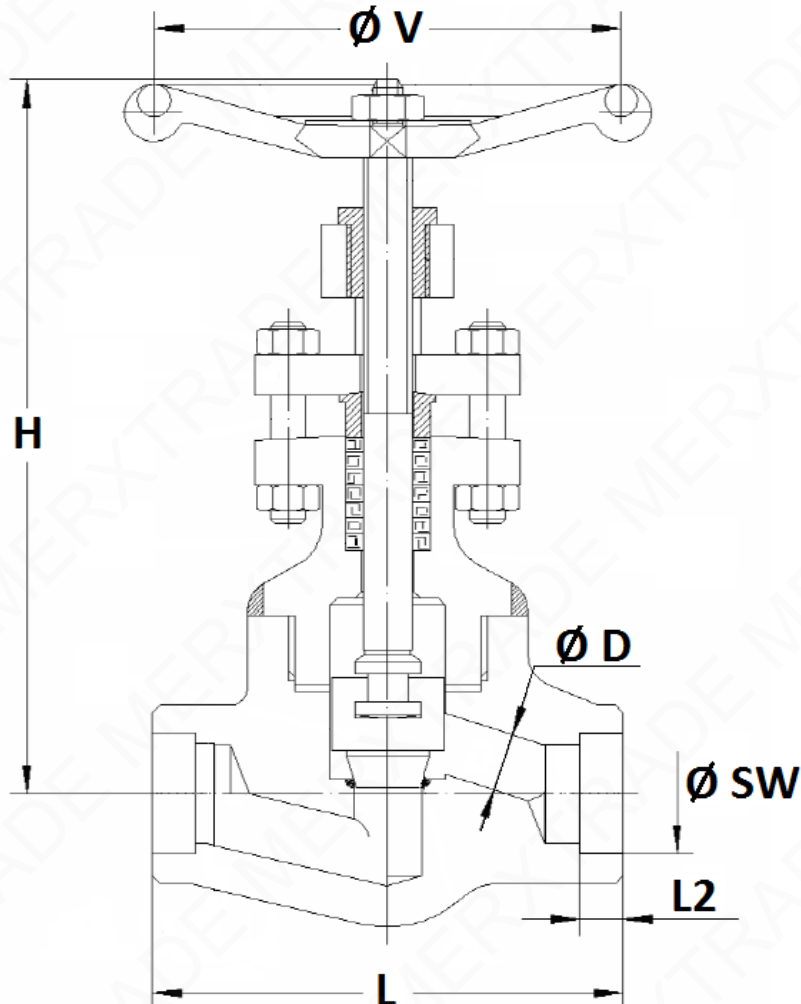
MATERIALS :



Item	Designation	Materials
1	Handwheel nut	Carbon steel
2	ID plate	Aluminium
3	Handwheel	Carbon steel
4	Yoke nut	ASTM A473 type 416
5	Gland nut	ASTM A194 2H
6	Gland flange	ASTM A105
7	Gland stud	UNS S41000
8	Gland	UNS S41000
9	Packing	Graphite
12	Stem	ASTM A276 type 410
13	Bonnet	ASTM A105N
16	Seat	Stellite GR.6
18	Body	ASTM A105N
19	Disc	ASTM A182 F6a stellite

FORGED CARBON STEEL A105N GLOBE VALVE CLASS 800 TRIM 5 WELDED BONNET SW

SIZE (in mm) :



DN (mm)	15	20	25	40	50
NPS (")	1/2"	3/4"	1"	1 1/2"	2"
$\varnothing D$	9	13	17.5	29.5	35
L	80	90	110	155	170
H (ouvert)	148	165	180	248	257
$\varnothing V$	80	80	110	130	180
L2 (SW)	12.7	14.5	16	19	22
$\varnothing SW$	21.8	27.2	33.9	48.8	61.2
Poids (en Kg)	1.5	1.8	3	6.5	9.7
Ref.	417015	417020	417025	417040	417050

FORGED CARBON STEEL A105N GLOBE VALVE CLASS 800 TRIM 5 WELDED BONNET SW

STANDARDS :

- Manufacturer certified **ISO 9001 : 2015**
- DIRECTIVE 2014/68/EU : **CE N° 0036**
Risk category III module H
- Certificate 3.1 on request
- Designing according to **ISO 15761** and **API 602** 8th
- Pressure Tests according to **API 598, table 6**
- Valves approved by the main oil industries (certificates on request)
- ATEX Group II Category 2 G/2D T3 Zone 1 & 21 Zone 2 & 22 (optional marking) according to directive 2014/34/EU
- Socket Welding ends according to **ISO 15761**

ADVICE : Our opinion and our advice are not guaranteed and MERXTRADE shall not be liable for the consequences of damages. The customer must check the right choice of the products with the real service conditions.