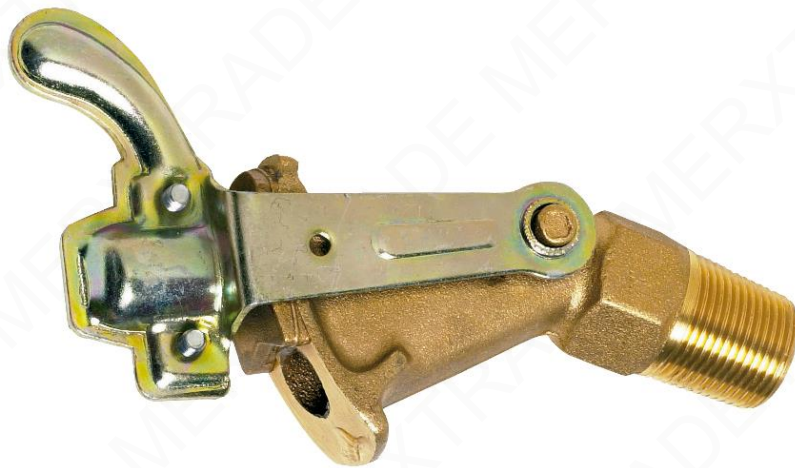


PERFECTION GLOBE VALVE THREADED MALE BSP

Perfection globe valve male bsp threaded for quick closing/opening networks of common fluids of 2nd group.
Metal/metal tightness.
For decanting.



Size : DN3/4" to DN4"
Connection : Male BSP
Min Temperature : -10°C
Max Temperature : +100°C
Max Pressure : 10 Bars
Specifications : For decanting
Quick opening/closing

Materials : Brass CB754S body up to DN2" (cast iron over)

PERFECTION GLOBE VALVE THREADED MALE BSP

SPECIFICATIONS :

- Male conical threaded BSP
- For decanting

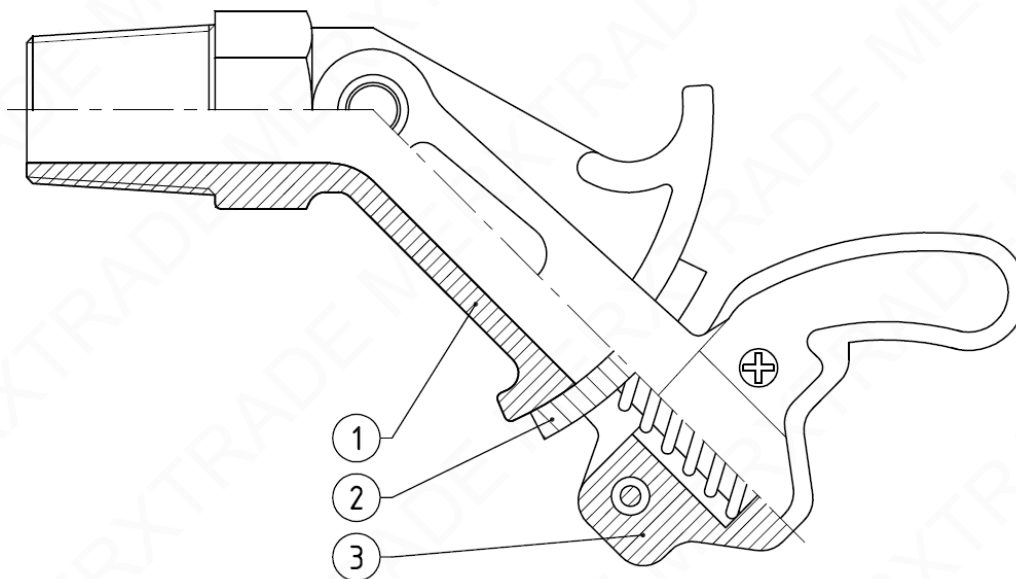
USE :

- For common fluids of 2nd group
- Min and max Temperature Ts : - 10°C to + 100°C
- Max Pressure Ps : 10 bars

RANGE :

- Brass body up to DN 2" and cast iron over, male conical threaded BSP from DN 3/4" to DN 4" **Ref. 430**

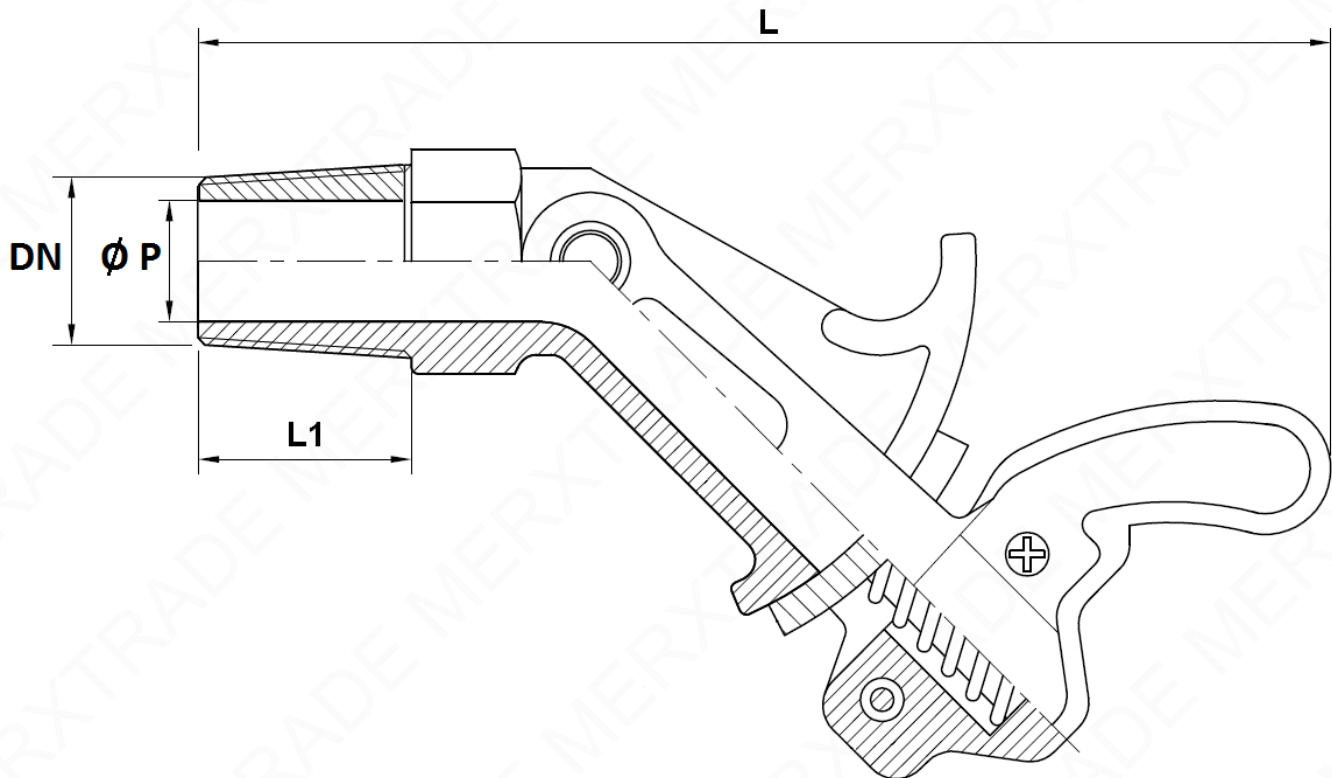
MATERIALS :



Item	Designation	Materials
1	Body DN 3/4" – 2"	Brass CB754S according to EN 1982
1	Body DN 2"1/2 – 4"	Cast iron EN GJL-200
2	Obturating	Brass CW617N according to EN 12165
3	Lever DN 3/4" – 2"	Galvanized steel
3	Lever DN 2"1/2 – 3"	Brass CB754S according to EN 1982
3	Lever DN 4"	Cast iron EN GJL-200

PERFECTION GLOBE VALVE THREADED MALE BSP

SIZE (in mm) :



DN	3/4"	1"1/2	2"	2"1/2	3"	4"
L	170	200	220	260	300	350
L1	30	40	40	53	53	60
Ø P	16	33	43	55	65	90
Weight (in Kg)	0.47	1.24	1.72	4.17	5.75	11.25
Ref.	430005	430008	430009	430010	430011	430012

PERFECTION GLOBE VALVE THREADED MALE BSP

STANDARDS :

- Manufacturer certified ISO 9001 : 2015 and ISO 14001 : 2015
- DIRECTIVE 2014/68/EU : Product excluded from directive (Article 4, § 3)
- Male conical threaded BSP according to ISO 7/1 R

ADVICE : Our opinion and our advice are not guaranteed and MERXTRADE shall not be liable for the consequences of damages. The customer must check the right choice of the products with the real service conditions.