

STAINLESS STEEL GLOBE VALVE WITH BELLOW ICP PN16/40 CE 1935-2004

Stainless steel globe valve with bellow flanged PN16/40 for closing or setting network of corrosives fluids, steam, hydrocarbons and thermic fluid.

Stainless steel bellow and PTFE gasket.

Anti-turn device to avoid the risk of torsion of bellows

Parabolic disc with elastic PTFE gasket for a perfect tightness.

Bolted bonnet and packing for an easy maintenance.

Globe valve in accordance with the regulation (EC) N° 1935/2004 on request.

Compatible with explosive atmosphere, ATEX Zone 1&21 and Zone 2&22.

Certificate

3.1



CE 1935/2004



Size : DN15 to DN100

Connection : Flanges R.F. PN16/40

Min Temperature : -50°C

Max Temperature : +200°C

Max Pressure : 40 Bars up to DN50, 16 Bars over

Specifications : Non rising stem
Stainless steel bellow
Bolted bonnet
Bolted packing

Materials : Stainless steel EN 1.4408

STAINLESS STEEL GLOBE VALVE WITH BELLOW ICP PN16/40 CE 1935-2004

SPECIFICATIONS :

- Respect the flow direction indicated by the arrow
- Non rising stem
- Bolted bonnet and gland pack
- Stainless steel bellow
- Parabolic disc with elastic PTFE gasket for a perfect tightness.
- Anti-turn device to avoid the risk of torsion of bellows
- Flanges R.F. PN16/40

USE:

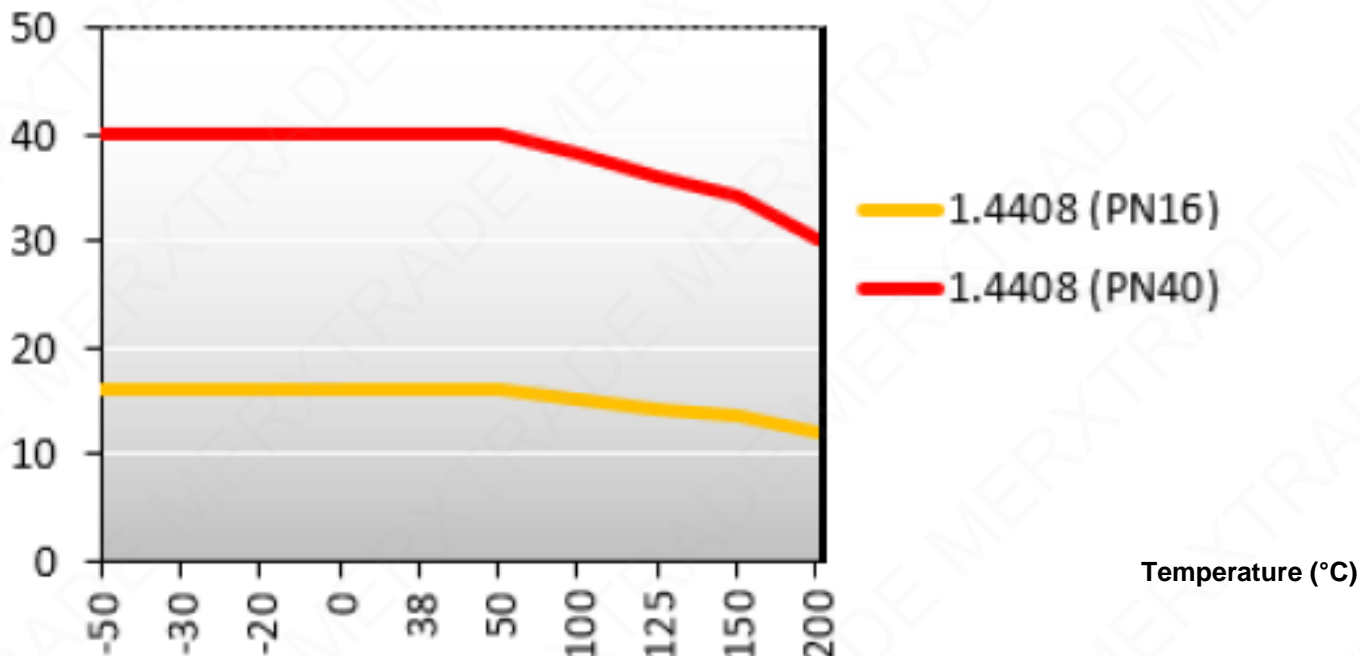
- Corrosive fluids, steam, hydrocarbons, thermic fluid
- Min and max Temperature Ts : - 50°C to + 200°C
- Max Pressure Ps : 40 bars up to DN50, 16 bars over (see graph under)
- Keep greased the stem

FLOW COEFFICIENT Kvs (M3 / h) :

DN	15	20	25	32	40	50	65	80	100
Kvs (m3/h)	3.8	7	10	19	35	43	60	110	146

PRESSURE / TEMPERATURE GRAPH :

Pressure (Bar)

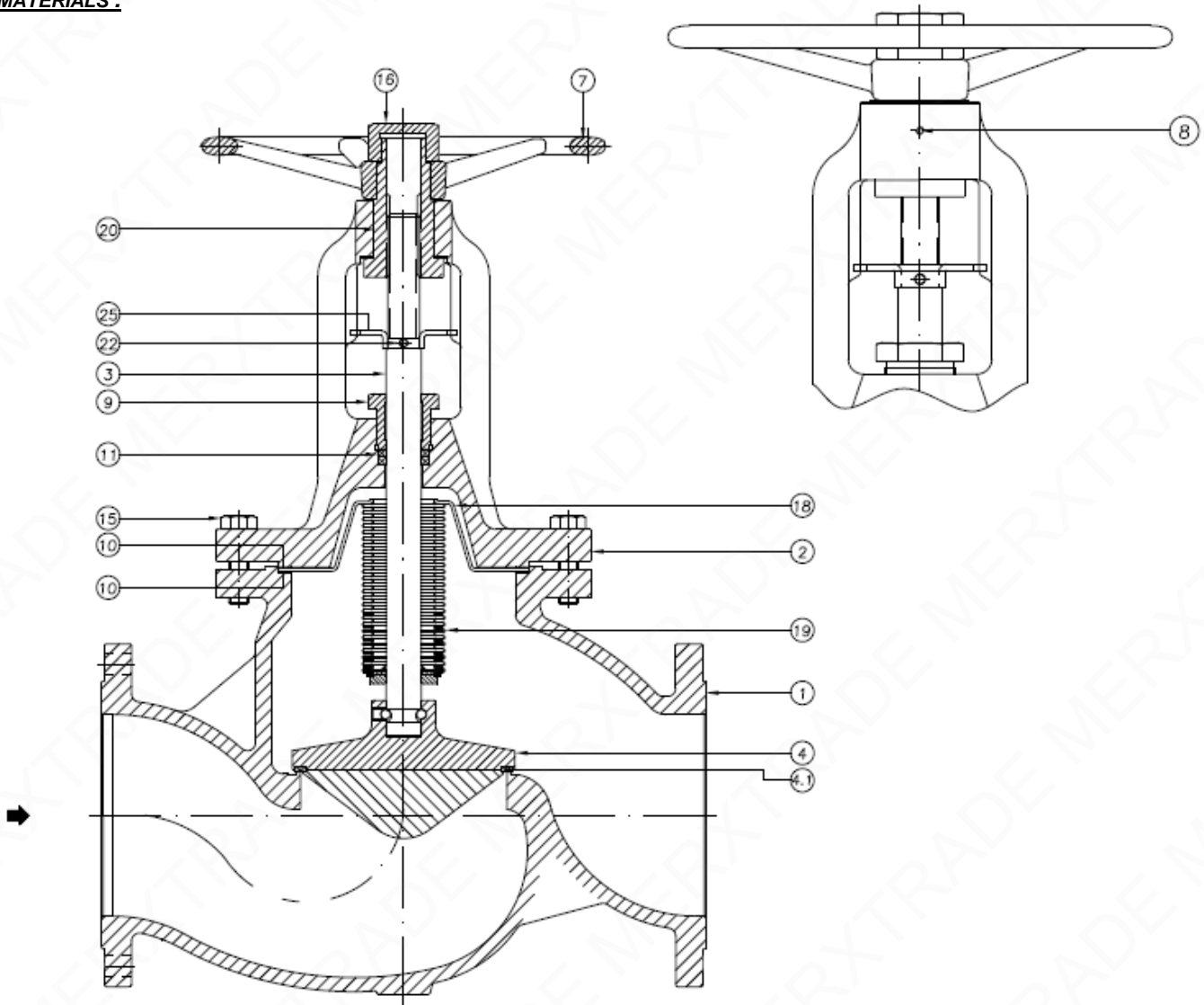


RANGE :

- Stainless steel globe valve with stainless steel bellow flanged R.F. PN16/40 from DN 15 to DN 50
- Stainless steel globe valve with stainless steel bellow flanged R.F. PN10/16 from DN 65 to DN 100

STAINLESS STEEL GLOBE VALVE WITH BELLOW ICP PN16/40 CE 1935-2004

MATERIALS :

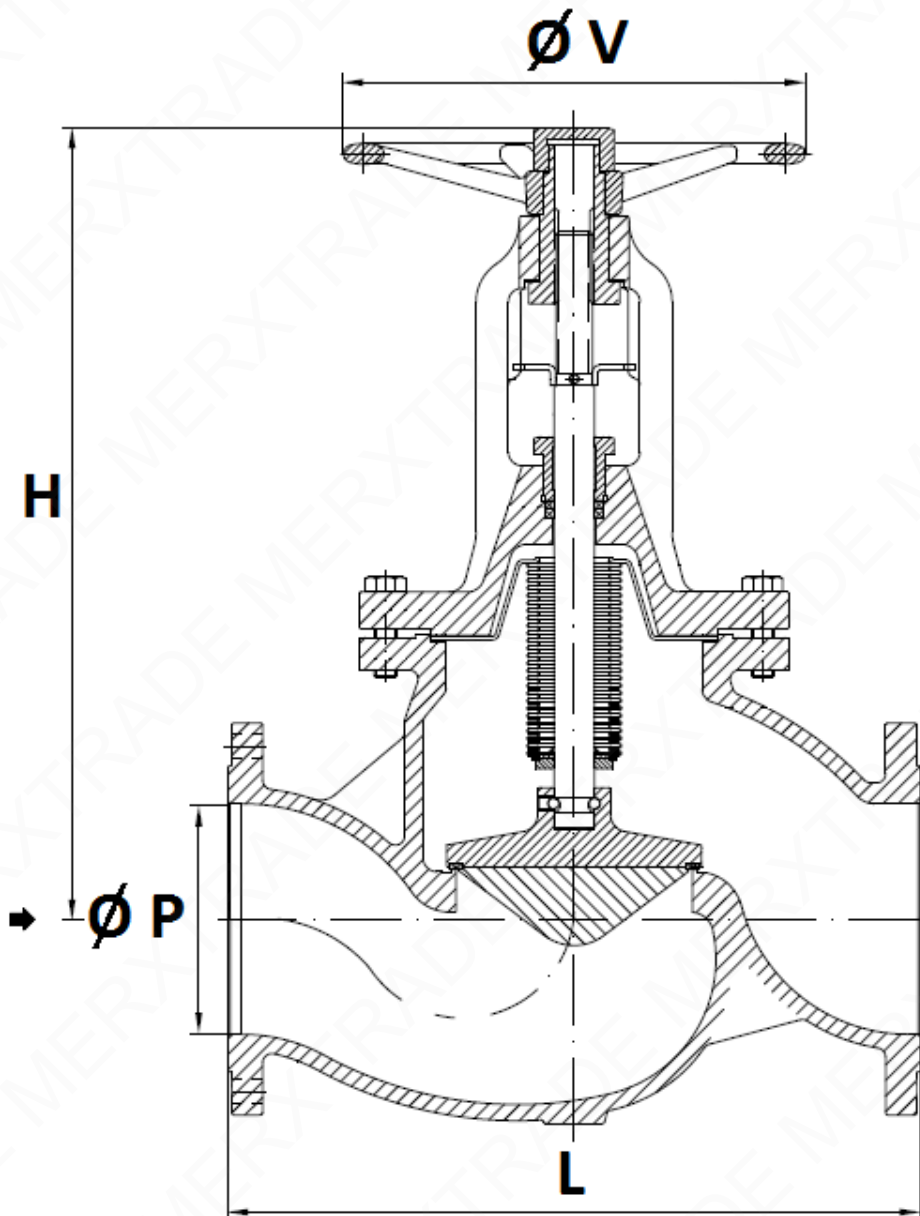


Item	Designation	Materials
1	Body	EN 1.4408
2	Bonnet	
3	Stem	EN 1.4401
4	Disc	
4.1	Disc seat	PTFE
7	Handwheel	ASTM A216 WCB
8	Grease nipp.	Steel
9	Gland nut	EN 1.4401
10	Gasket	PTFE
11	Packing	

Item	Designation	Materials
15	Screw	A4-70
16	Handwheel nut	EN 1.4401
18	Hood	
19	Bellow	
20	Threaded bushing	X20 Cr13 + HT65
22	Pin	Steel
25	Anti turn device	EN 1.4401

STAINLESS STEEL GLOBE VALVE WITH BELLOW ICP PN16/40 CE 1935-2004

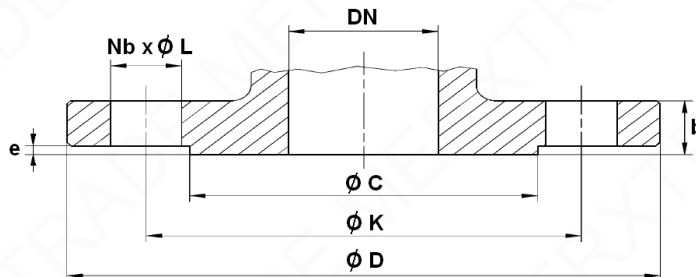
SIZE (in mm) :



DN	15	20	25	32	40	50	65	80	100
L	130	150	160	180	200	230	290	310	350
Ø P	15	20	25	32	40	50	65	80	100
H	190	195	220	219	256	265	328	341	376
Ø V	120	120	140	140	180	180	200	200	250
Weight (Kg)	3.7	4.8	6.8	7.8	13	15.5	21	26.4	40
Ref.	472T015	472T020	472T025	472T032	472T040	472T050	472T065	472T080	472T100

STAINLESS STEEL GLOBE VALVE WITH BELLOW ICP PN16/40 CE 1935-2004

FLANGES SIZE (in mm) :



DN	15	20	25	32	40	50	65	80	100
Ø C	45	58	68	78	88	102	122	138	158
Ø D	95	105	115	140	150	165	185	200	220
Ø K	65	75	85	100	110	125	145	160	180
Nb x Ø L	4 x 14	4 x 14	4 x 14	4 x 18	4 x 18	4 x 18	4 x 18	8 x 18	8 x 18
b	16	18	18	18	18	18	18	20	20
e	2	2	2	2	3	3	3	3	3

STANDARDS :

- Manufacturer certified ISO 9001 :2015
- DIRECTIVE 2014/68/EU : CE N° 0035
Risk Category III module H
- Certificate 3.1 on request
- Designing according to DIN 3840
- Marking according to EN 19
- Pressure Tests according to EN 12266-1, Rate A
- Length according to EN 558 series 1 (DIN 3202-1 F1)
- Flanges R.F. according to EN 1092-1 PN16/40
- Valve in accordance with the regulation **(EC) N° 1935-2004 on request**
- ATEX Group II Category 2 G/2Dc Zone 1 & 21 Zone 2 & 22 (optional marking) according to directive 2014/34/EU

ADVICE : Our opinion and our advice are not guaranteed and MERXTRADE shall not be liable for the consequences of damages. The customer must check the right choice of the products with the real service conditions.