

DUCTILE IRON GLOBE VALVE WITH BELLOW PN16/25 ICP DIN 3202-1 F1

Ductile iron globe valve flanged PN16/25 for common fluids of 2nd group, steam, thermic fluid.
Stainless steel bellow and graphite gasket.
Anti-turn device to avoid the risk of torsion of bellows.
Pressure equalizing plug in DN200
Bolted bonnet and packing for an easy maintenance.
Compatible with explosive atmosphere, ATEX Zone 1&21 and Zone 2&22 (optional marking).



Size : DN15 to DN200
Connection : Flanged PN16/25 RF
Min Temperature : -10°C
Max Temperature : +350°C
Max Pressure : 25 bars up to DN50 (16 bars over)
Specifications : Non rising stem
Stainless steel bellow
Bolted bonnet and packing

Materials : Ductile iron EN GJS-400-18

DUCTILE IRON GLOBE VALVE WITH BELLOW PN16/25 ICP DIN 3202-1 F1

SPECIFICATIONS :

- Respect the flow direction indicated by the arrow
- Non rising stem
- Bolted bonnet and gland pack
- Stainless steel bellow
- Pressure equalizing plug in DN200
- Pressed seat in the body
- Anti-turn device to avoid the risk of torsion of bellows
- Flanges R.F. PN25 up to DN50, PN16 over
- RAL 9006 grey painting, 40µm thickness

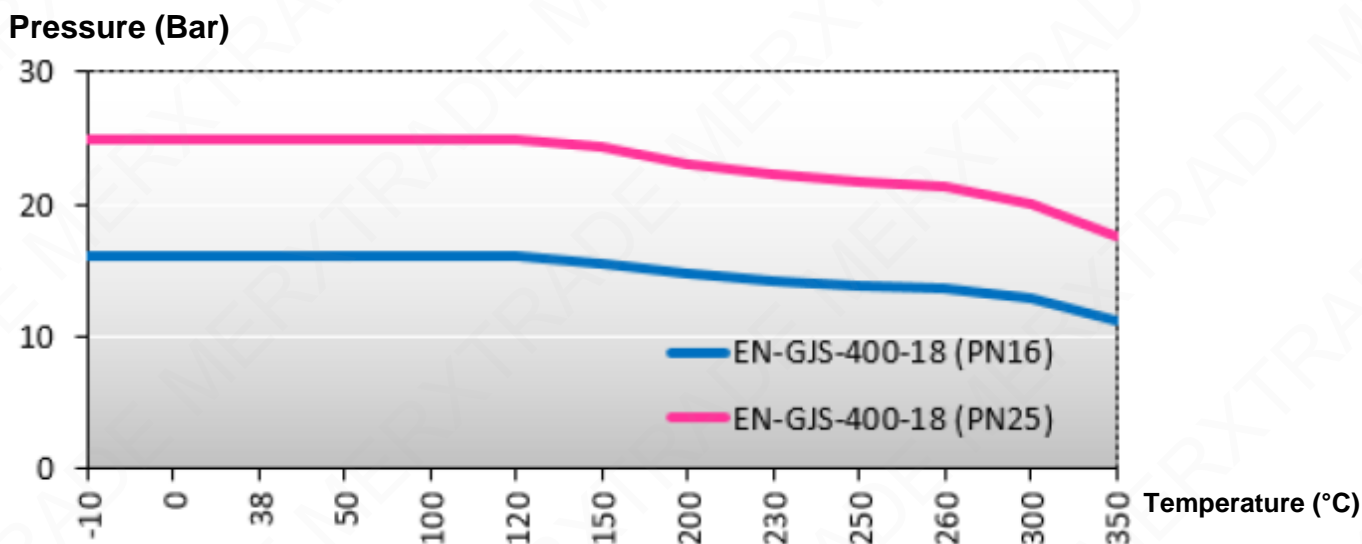
USE :

- Common fluids of 2nd group , steam , thermic fluid
- Min and Max Temperature Ts : - 10°C to + 350°C
- Max Pressure Ps : 25 bars up to DN50, 16 over (see graph)
- Δp 16 bars max for DN125, 15 bars max for DN150, 16 bars max for DN200
- Steam : 22 bars max up to DN50, 14 bars over
- Keep greased the stem

FLOW COEFFICIENT Kvs (M3 / h) :

| DN | 15 | 20 | 25 | 32 | 40 | 50 | 65 | 80 | 100 | 125 | 150 | 200 |
|--------------|-----|----|----|----|----|----|----|-----|-----|-----|-----|-----|
| Kvs (m3/h) | 3.8 | 7 | 10 | 19 | 35 | 43 | 60 | 110 | 146 | 210 | 300 | 670 |

PRESSURE / TEMPERATURE GRAPH :

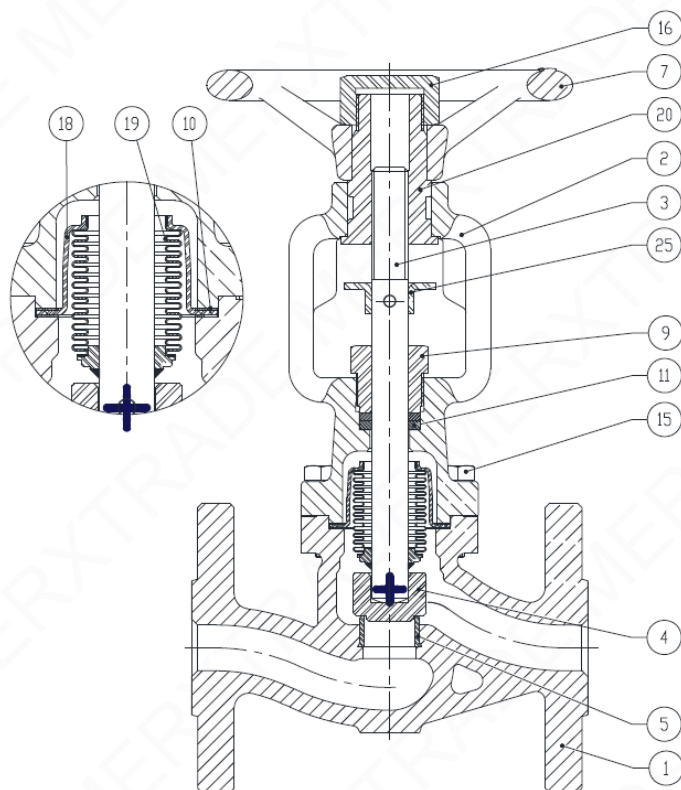


RANGE :

- Ductile iron globe valve with stainless steel bellow flanged R.F. PN25 up to DN50, PN16 over **Ref. 476** DN 15 to DN 200

DUCTILE IRON GLOBE VALVE WITH BELLOW PN16/25 ICP DIN 3202-1 F1

MATERIALS :



| Item | Designation | Materials DN15-50 | Materials DN65-200 |
|------|------------------|----------------------------|----------------------------|
| 1 | Body | Ductile iron EN GJS-400-18 | Ductile iron EN GJS-400-18 |
| 2 | Bonnet | EN 1.0619 | |
| 3 | Stem | AISI 303 (1.4305) | |
| 4 | Disc | AISI 420 (1.4021) | |
| 5 | Seat | X 22 CrNi 17 (1.4059) | |
| 7 | Handwheel | EN GJS-400 | |
| 9 | Gland | Steel EN 10087 | |
| 10 | Gasket | Graphite | |
| 11 | Packing | Graphite | |
| 15 | Screw | Steel C35E | |
| 16 | Handwheel nut | Steel EN 10087 | |
| 18 | Hood | AISI 303 (1.4305) | |
| 19 | Bellow | AISI 316 Ti (1.4571) | |
| 20 | Threaded bushing | Steel EN 10087 | |
| 25 | Anti turn device | Steel EN 10025 | |
| | Lubricator | Brass | |

DUCTILE IRON GLOBE VALVE WITH BELLOW PN16/25 ICP DIN 3202-1 F1

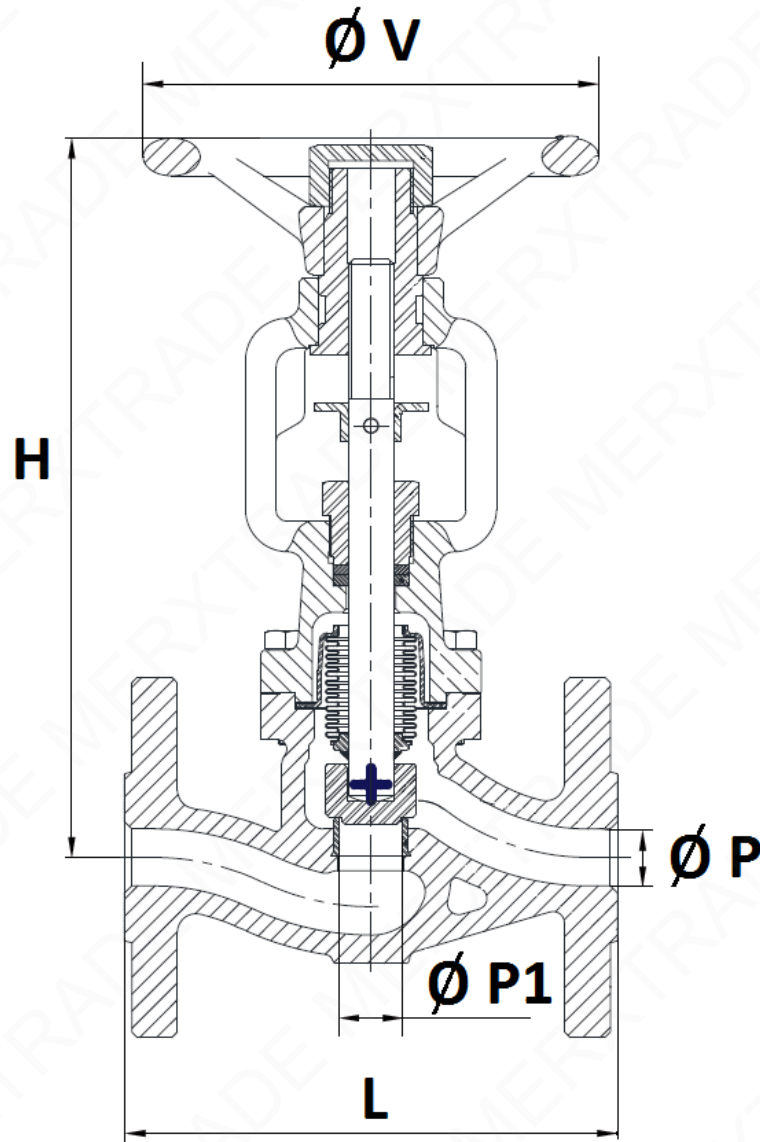
DISC OPTIONS :

| DN 15-65 | DN 80-150 | DN 200 |
|--|-----------|--------|
| STANDARD DISC | | |
| | | |
| OPTION A : THROTTLING PLUG* | | |
| | | |
| OPTION B : DISC WITH SOFT SEAT* | | |
| | | |
| OPTION C : THROTTLING PLUG + SOFT SEAT* | | |
| | | |

* :ON REQUEST

DUCTILE IRON GLOBE VALVE WITH BELLOW PN16/25 ICP DIN 3202-1 F1

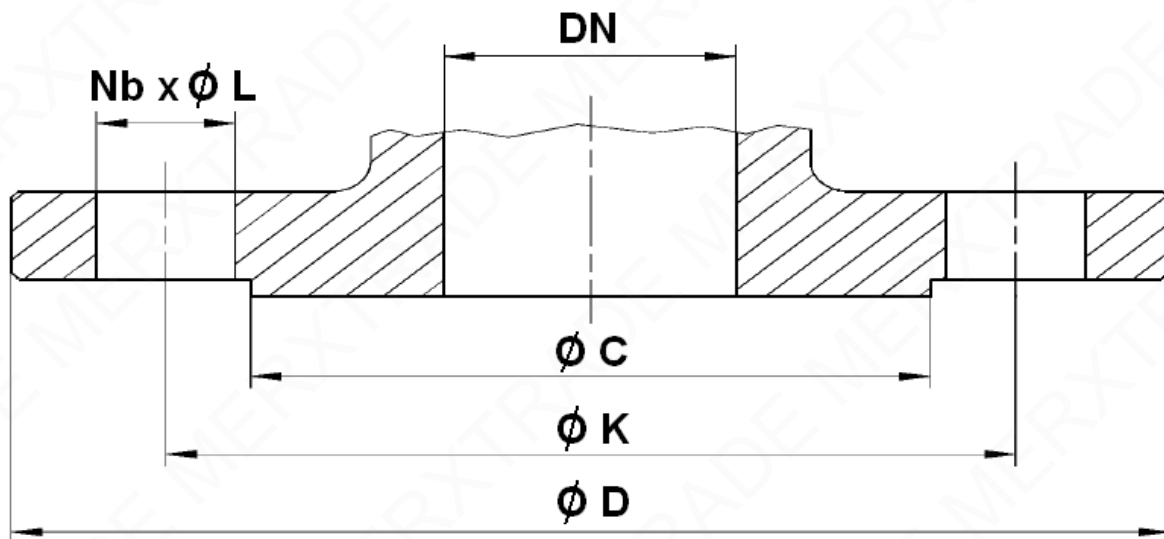
SIZE (in mm) :



| DN | 15 | 20 | 25 | 32 | 40 | 50 | 65 | 80 | 100 | 125 | 150 | 200 |
|-------------|--------|--------|--------|--------|--------|--------|--------|--------|--------|--------|--------|--------|
| L | 130 | 150 | 160 | 180 | 200 | 230 | 290 | 310 | 350 | 400 | 480 | 600 |
| Ø P | 15 | 20 | 25 | 32 | 40 | 50 | 65 | 80 | 100 | 125 | 150 | 200 |
| Ø P1 | 16.5 | 20.5 | 25.2 | 30 | 40.8 | 50.5 | 66 | 81 | 104.5 | 126 | 150.5 | 205 |
| H | 190 | 195 | 220 | 219 | 256 | 265 | 328 | 341 | 376 | 488 | 531 | 685 |
| Ø V | 120 | 120 | 140 | 140 | 180 | 180 | 200 | 200 | 250 | 275 | 275 | 400 |
| Weight (Kg) | 3.2 | 4.4 | 4.8 | 6.3 | 11 | 13 | 21.3 | 26.4 | 40 | 53.5 | 84 | 157 |
| Ref. | 476015 | 476020 | 476025 | 476032 | 476040 | 476050 | 476065 | 476080 | 476100 | 476125 | 476150 | 476200 |

DUCTILE IRON GLOBE VALVE WITH BELLOW PN16/25 ICP DIN 3202-1 F1

FLANGES SIZE (in mm) :



| DN | 15 | 20 | 25 | 32 | 40 | 50 | 65 | 80 | 100 | 125 | 150 | 200 |
|----------|--------|--------|--------|--------|--------|--------|--------|--------|--------|--------|--------|---------|
| Ø C | 46 | 56 | 65 | 76 | 84 | 99 | 118 | 132 | 156 | 184 | 211 | 266 |
| Ø D | 95 | 105 | 115 | 140 | 150 | 165 | 185 | 200 | 220 | 250 | 285 | 340 |
| Ø K | 65 | 75 | 85 | 100 | 110 | 125 | 145 | 160 | 180 | 210 | 240 | 295 |
| Nb x Ø L | 4 x 14 | 4 x 14 | 4 x 14 | 4 x 19 | 4 x 19 | 4 x 19 | 4 x 19 | 8 x 19 | 8 x 19 | 8 x 19 | 8 x 23 | 12 x 23 |

DUCTILE IRON GLOBE VALVE WITH BELLOW PN16/25 ICP DIN 3202-1 F1

STANDARDS :

- Manufacturer certified ISO 9001 : 2015
- DIRECTIVE 2014/68/EU : CE N° 0035
Risk category III Module H
- Certificate 3.1 on request
- Designing according to DIN 3840
- Marking according to EN 19
- Pressure Tests according to EN 12266-1, Rate A
- Length according to EN 558 series 1 (DIN 3202-1 F1)
- Flanges R.F. according to EN 1092-2 PN16-PN25
- ATEX Group II Category 2 G/2Dc Zone 1 & 21 Zone 2 & 22 (optional marking) according to directive 2014/34/EU

ADVICE : Our opinion and our advice are not guaranteed and MERXTRADE shall not be liable for the consequences of damages. The customer must check the right choice of the products with the real service conditions.