

## RESILIENT SEAT GATE VALVE PN10/16 SHORT PATTERN DIN 3202-F4 CTC NBR

Resilient seat gate valve full and total bore for water distribution.  
Sliding pad to facilitating the wedge movement up to DN200.  
3 NBR O ring on stem and NBR bonnet gasket.  
Possibility to change stem gasket under pressure from DN80 to DN300

**Certificate**

**3.1**



**Size :** DN40 to DN300  
**Connection :** Flanges PN10/16  
**Min Temperature :** -10°C  
**Max Temperature :** +70°C  
**Max Pressure :** 16 Bars  
**Specifications :** Non rising stem  
Clockwise to close (CTC)  
Full and total bore

**Materials :** Ductile iron body EN GJS-500-7

**RESILIENT SEAT GATE VALVE PN10/16 SHORT PATTERN DIN 3202-F4 CTC NBR**

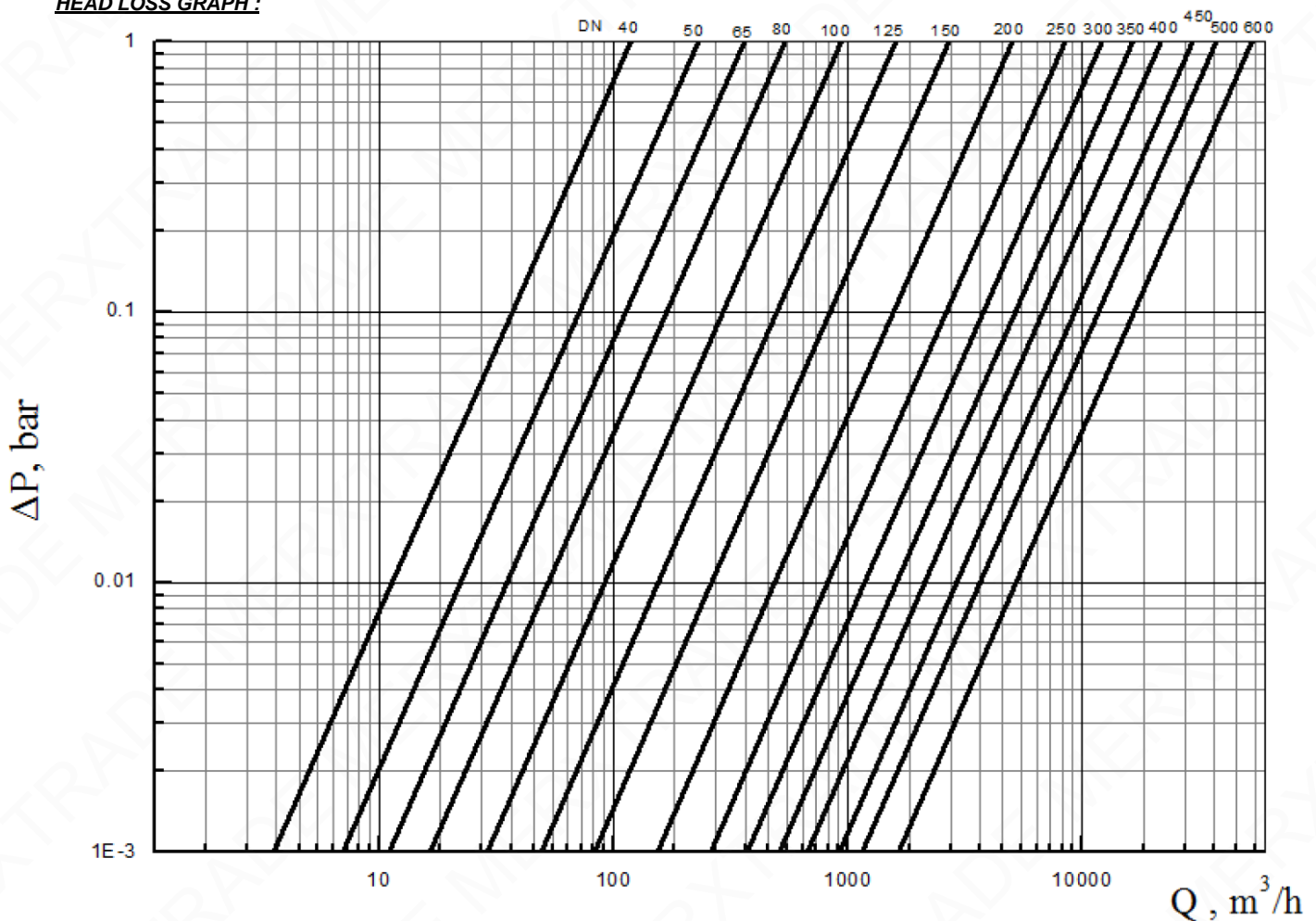
**SPECIFICATIONS :**

- Full and total bore
- Stainless steel non rising stem
- Clockwise to close (CTC)
- Sliding pad ( to facilitating the wedge movement ) up to DN200
- Ductile iron wedge NBR
- No retention area
- Heel positioning
- NBR bonnet gasket
- Screws bonnet protected
- 3 NBR O ring on stem
- Possibility to change stem gasket under pressure from DN80 to DN300
- Epoxy painting RAL 5005 color 250 µm thickness
- Dust-coat on stem
- PN10/16 flanges R.F.

**USE :**

- For water distribution
- Min and max Temperature Ts : - 10°C to + 70°C
- Max pressure Ps : 16 bars

**HEAD LOSS GRAPH :**



**RESILIENT SEAT GATE VALVE PN10/16 SHORT PATTERN DIN 3202-F4 CTC NBR**

**FLOW COEFFICIENT Kvs ( M3 / h ) :**

DN	40	50	65	80	100	125	150	200	250	300
Kvs ( m3/h )	118	229	360	537	933	1595	2685	5004	8393	12072

**HEAD LOSS CALCULATION FOR WATER :**

$\Delta p = ( Q / Kvs )^2$

Q : flow in m<sup>3</sup>/h

$\Delta p$  : Head loss in bar

**TORQUE VALUE ( in Nm without safety coefficient ) :**

DN	40	50	65	80	100	125	150	200	250	300
Torque ( Nm )	15	20	20	30	40	40	75	125	175	200

**NUMBER OF CYCLES TO CLOSE OR OPEN THE VALVE :**

DN	40	50	65	80	100	125	150	200	250	300
Number of cycles	13	14.5	18.75	21.5	21.5	24.5	30	34	45.25	49.75

## RESILIENT SEAT GATE VALVE PN10/16 SHORT PATTERN DIN 3202-F4 CTC NBR

### RANGE :

- Ductile iron body with PN10/16 flanges R.F and handwheel with NBR wedge **Ref. 182** from DN 40 to DN 300

### ACCESSORIES :



- Possible with square drive nut ( option ) **Ref. 9801831-9801838**



- Stem extension 1 meter long **Ref. 9802020** from DN50 to DN300 and **Ref. 9802029** from DN350 to DN400

- Stem extension 1,25 meter long **Ref. 9802031** from DN50 to DN300 and **Ref. 9802040** from DN350 to DN400



- Stem extension 1,5 meter long **Ref. 9802042** from DN50 to DN300 and **Ref. 9802051** from DN350 to DN400

- Stem extension 1,3 to 1,8 meter long **Ref. 9802060** from DN50 to DN200



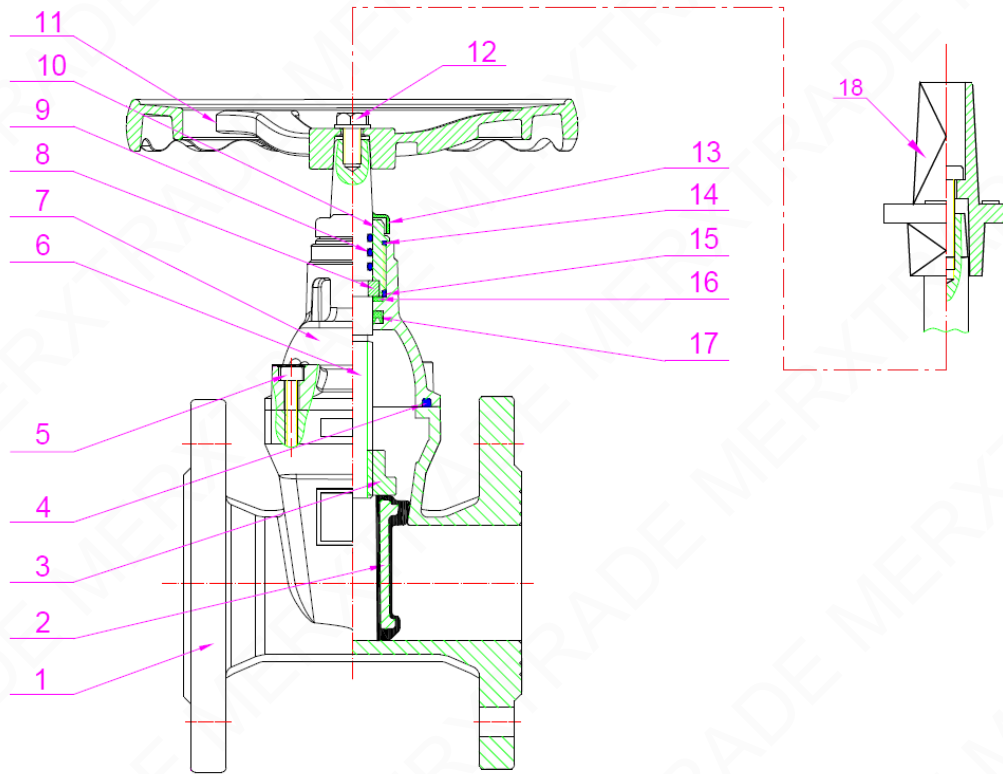
- Stem extension 2 to 2,5 meter long **Ref. 9802070** from DN50 to DN200

- Tee key

- 1 meter long square 35 mm **Ref.9802080** from DN50 to DN300
- 1.8 meter long square 35 mm **Ref.9802081** from DN50 to DN300
- 1 meter long square 35 mm **Ref.9802082** from DN350 to DN400

**RESILIENT SEAT GATE VALVE PN10/16 SHORT PATTERN DIN 3202-F4 CTC NBR**

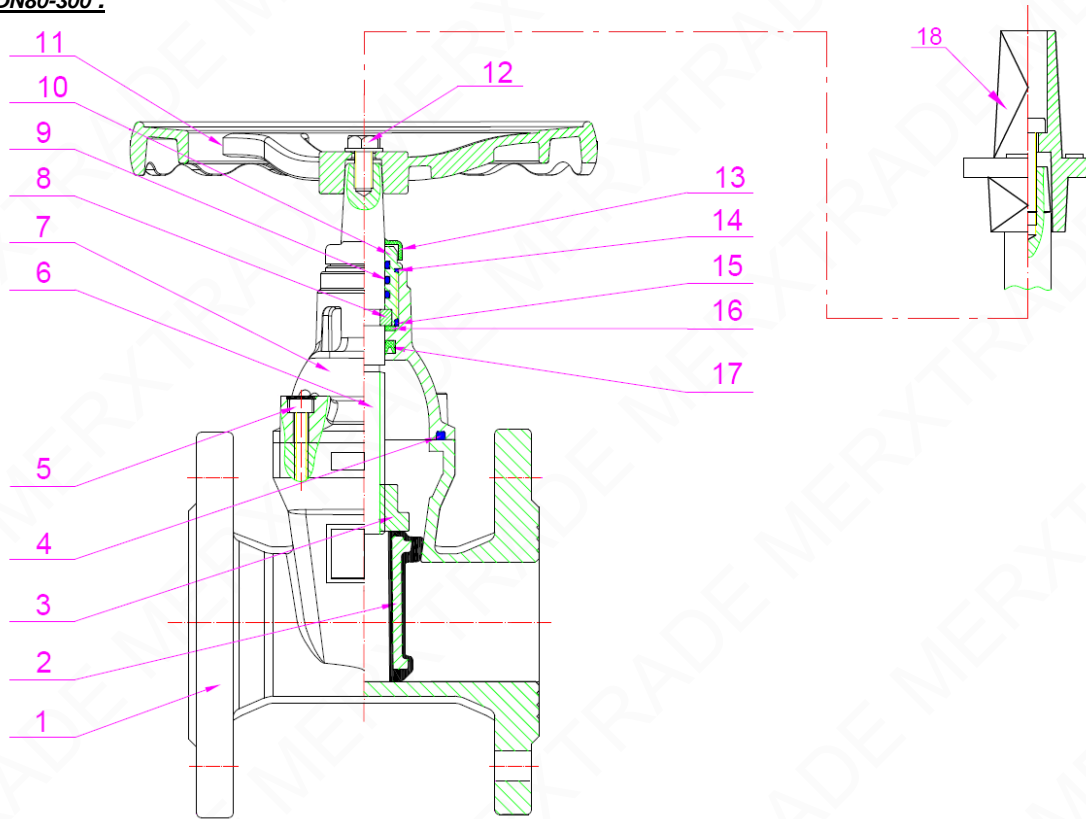
**MATERIALS DN40-65 :**



Item	Designation	Materials DN40-65
1	Body	Ductile iron EN GJS-500-7
2	Wedge	Ductile iron EN GJS-500-7 + NBR
3	Stem nut	Brass CuZn39Pb2
4	Gasket bonnet	NBR
5	Bonnet screw	Steel C35
6	Stem	AISI 420
7	Bonnet	Ductile iron EN GJS-500-7
8	Holding ring	Brass CuZn39Pb2
9	O ring	NBR
10	Pusher nut	Brass CuZn39Pb2
11	Handwheel	Ductile iron EN GJS-500-7
12	Handwheel screw	AISI 304
13	Dust-coat	NBR
14	O ring	NBR
15	O ring	NBR
16	Ring	Nylon 66
17	Auto sealing ring	NBR
18	Square drive nut	Ductile iron EN GJS-500-7

**RESILIENT SEAT GATE VALVE PN10/16 SHORT PATTERN DIN 3202-F4 CTC NBR**

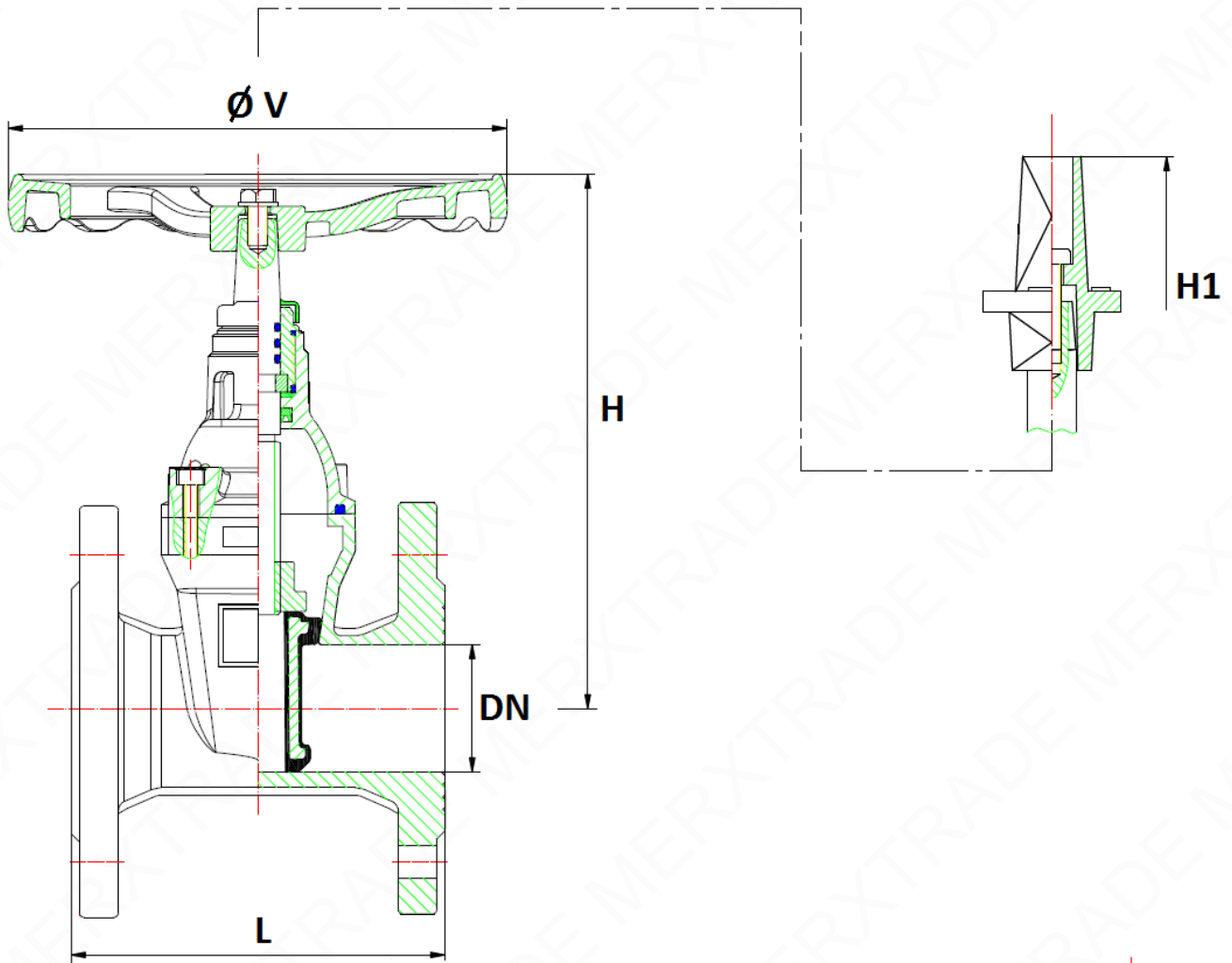
**MATERIALS DN80-300 :**



Item	Designation	Materials DN80-300
1	Body	Ductile iron EN GJS-500-7
2	Wedge	Ductile iron EN GJS-500-7 + NBR
3	Stem nut	Brass CuZn39Pb2
4	Gasket bonnet	NBR
5	Bonnet screw	Steel C35
6	Stem	AISI 420
7	Bonnet	Ductile iron EN GJS-500-7
8	Holding ring	Brass CuZn39Pb2
9	O ring	NBR
10	Pusher nut	Brass CuZn39Pb2
11	Handwheel	Ductile iron EN GJS-500-7
12	Handwheel screw	AISI 304
13	Dust-coat	NBR
14	O ring	NBR
15	O ring	NBR
16	Ring	Nylon 66
17	Auto sealing ring	NBR
18	Square drive nut	Ductile iron EN GJS-500-7

**RESILIENT SEAT GATE VALVE PN10/16 SHORT PATTERN DIN 3202-F4 CTC NBR**

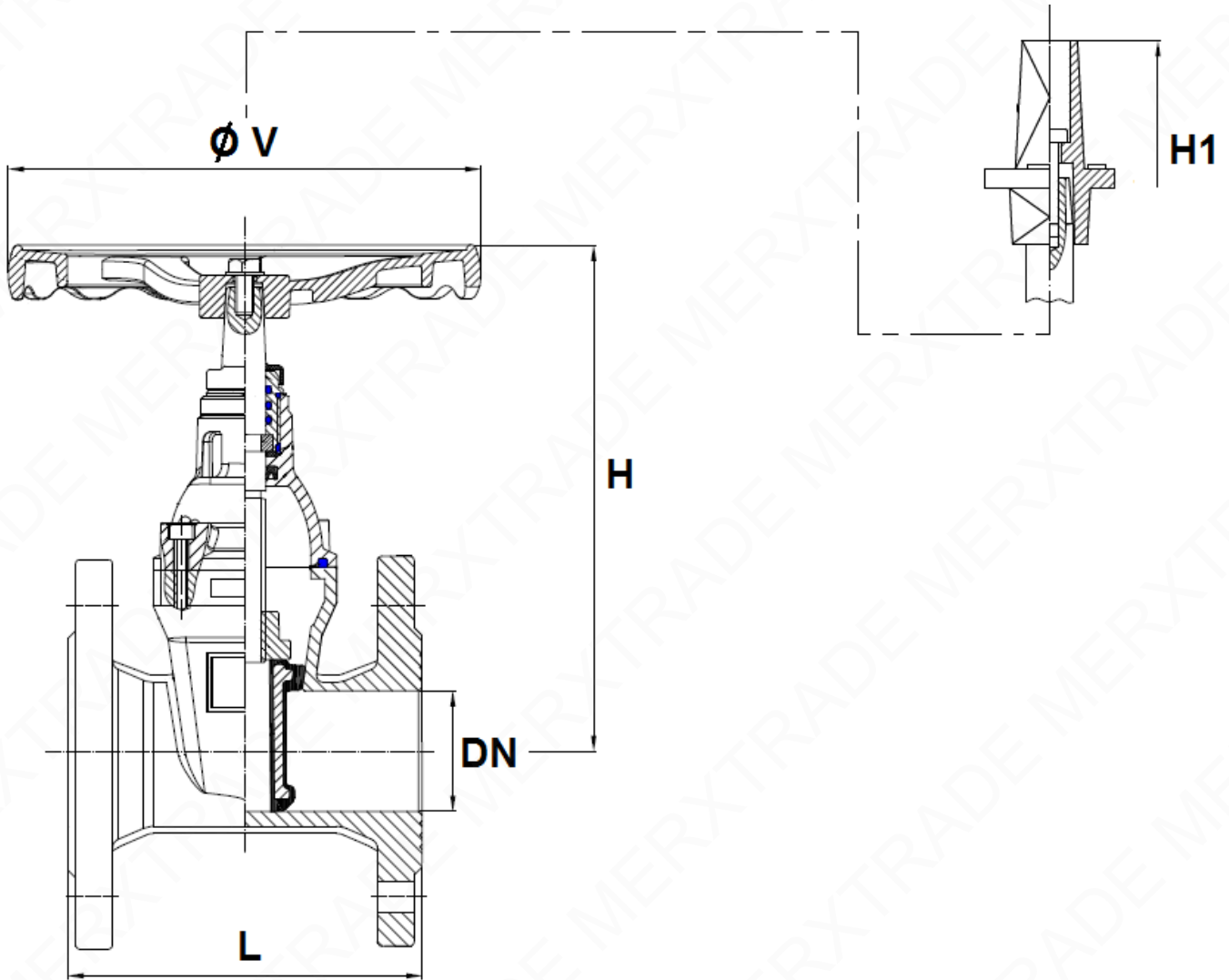
**HANDWHEEL VALVE SIZE DN 40 - 65 ( in mm ) :**



DN	40	50	65
L	140	150	170
H	190	215	235
H1	260	285	300
Ø V	200	200	200
Weight (in Kg)	7.37	8.56	11.3
Ref.	182040	182050	182065

**RESILIENT SEAT GATE VALVE PN10/16 SHORT PATTERN DIN 3202-F4 CTC NBR**

**HANDWHEEL VALVE SIZE DN 80 - 300 ( in mm ) :**

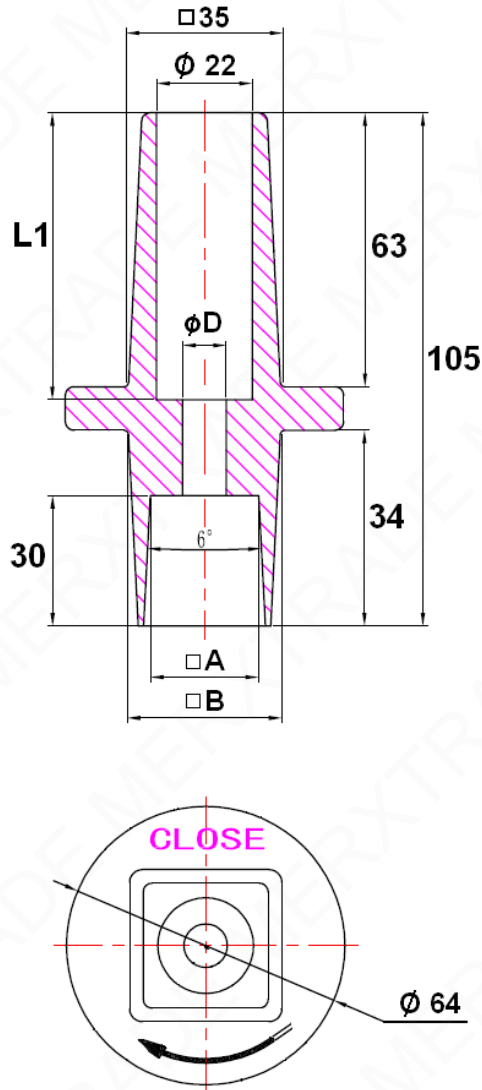


DN	80	100	125	150	200	250	300
L	180	190	200	210	230	250	270
H	265	315	350	385	485	600	680
H1	320	390	430	470	560	680	770
Ø V	254	254	315	315	315	406	406
Weight (Kg)	14	19.90	24.20	31.80	49.40	84.70	106
Ref.	182080	182100	182125	182150	182200	182250	182300



**RESILIENT SEAT GATE VALVE PN10/16 SHORT PATTERN DIN 3202-F4 CTC NBR**

**SQUARE DRIVE NUT SIZE ( in mm ) :**

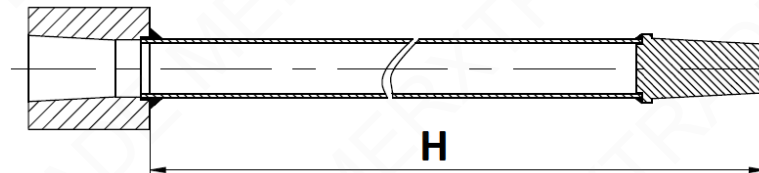


DN	40	50	65	80	100	125	150	200	250	300
A	14	14	14	17	17	19	19	19	24	24
B	34	34	34	34	34	36	36	36	42.5	42.5
L1	66	66	66	63	63	63	63	63	63	63
Ø D	10	10	10	10	10	10	10	10	12	12
Weight ( Kg )	0.7	0.7	0.7	0.6	0.6	0.6	0.6	0.6	0.7	0.7
Ref.	9801831	9801831	9801831	9801832	9801832	9801833	9801833	9801833	9801834	9801834

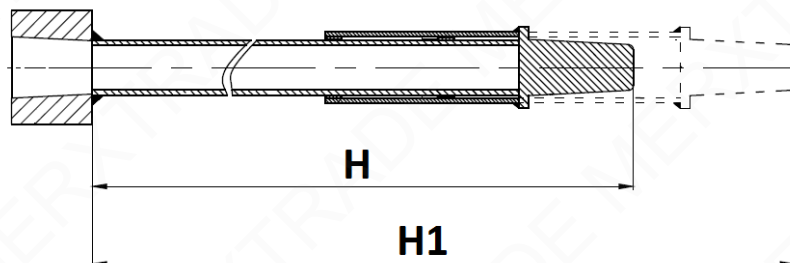
**RESILIENT SEAT GATE VALVE PN10/16 SHORT PATTERN DIN 3202-F4 CTC NBR**

**STEM EXTENSION SIZE DN50-400 ( in mm ) :**

**FIXED TYPE**



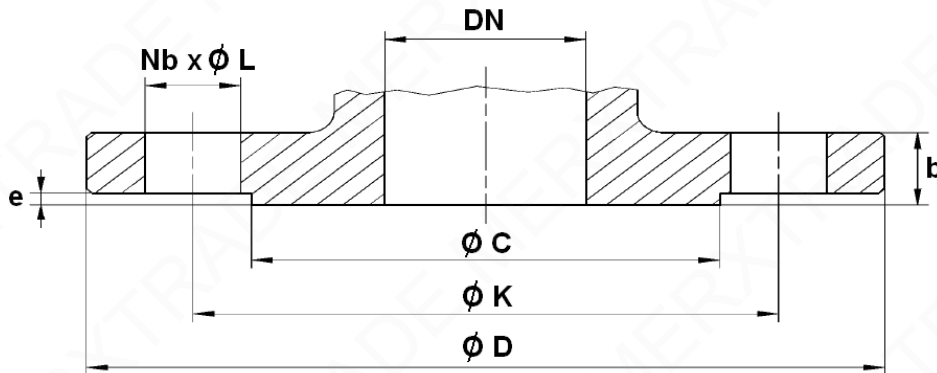
**TELESCOPIC TYPE**



Ref.	DN	H	H1	Weight (Kg)
9802020	50-300	1000	-	3.7
9802031	50-300	1250	-	4.2
9802042	50-300	1500	-	4.5
9802060	50-200	1300	1800	9.6
9802070	50-200	2000	2500	11.8
9802029	350-400	1000	-	5.7
9802040	350-400	1250	-	6.5
9802051	350-400	1500	-	7.4

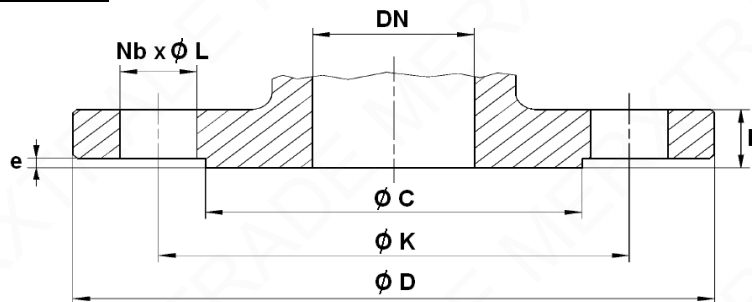
**RESILIENT SEAT GATE VALVE PN10/16 SHORT PATTERN DIN 3202-F4 CTC NBR**

**FLANGES PN10 SIZE ( in mm ) :**



PN	PN10/16							PN10		
DN	40	50	65	80	100	125	150	200	250	300
Ø C	84	99	118	132	156	184	211	266	319	370
Ø D	150	165	185	200	220	250	285	340	405	460
Ø K	110	125	145	160	180	210	240	295	350	400
Nb x Ø L	4 x 19	4 x 19	4 x 19	8 x 19	8 x 19	8 x 19	8 x 23	8 x 23	12 x 23	12 x 23
b	19	19	19	19	19	19	19	20	22	24.5
e	3	3	3	3	3	3	3	3	3	4
Ref.	182040	182050	182065	182080	182100	182125	182150	182200	182250	182300

**FLANGES PN16 SIZE ( in mm ) :**



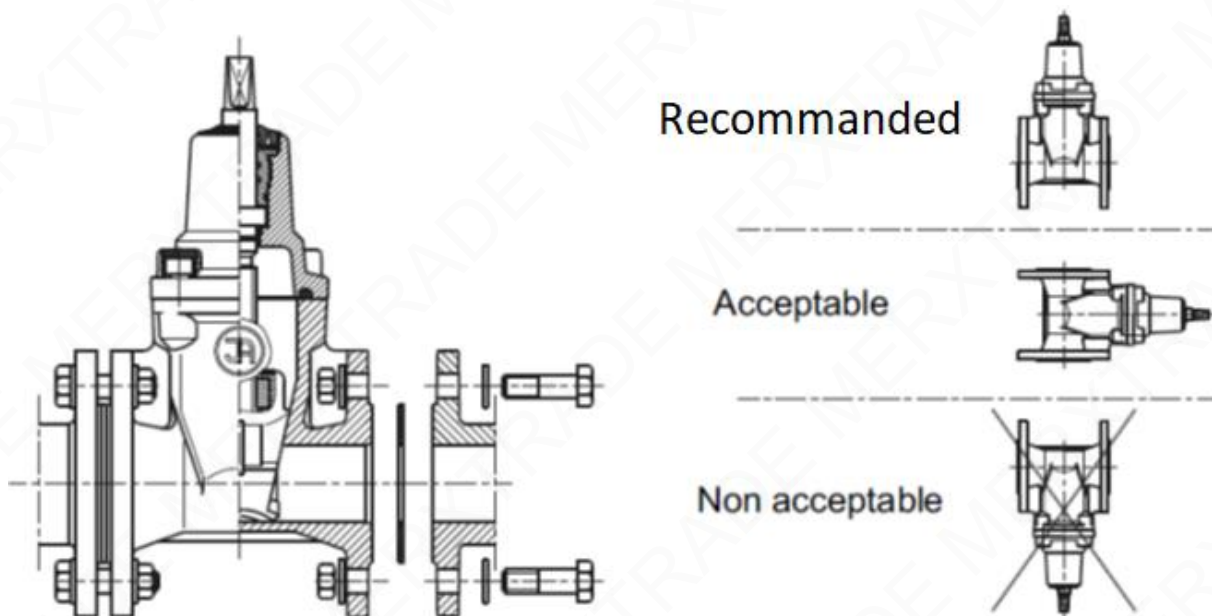
DN	200	250	300
Ø C	266	319	370
Ø D	340	405	460
Ø K	295	355	410
Nb x Ø L	12 x 23	12 x 28	12 x 28
b	20	22	24.5
e	3	3	4
Ref. 182	182201	182251	182301

## RESILIENT SEAT GATE VALVE PN10/16 SHORT PATTERN DIN 3202-F4 CTC NBR

### STANDARDS :

- Manufacturer certified ISO 9001 :2015 and ISO 14001 : 2015
- DIRECTIVE 2014/68/EU : Products excluded from directive ( article 1, § 2b )
- Certificate 3.1 on request
- Designing according to DIN EN 1171
- Pressure tests according to EN 12266-1, Rate A
- Length according to EN 558 series 14 ( DIN 3202 F4 )
- Flanges according to EN 1092-2 PN10/16

### INSTALLATION POSITIONS :



**ADVICE :** Our opinion and our advice are not guaranteed and MERXTRADE shall not be liable for the consequences of damages. The customer must check the right choice of the products with the real service conditions.