

**WAFER BUTTERFLY VALVE  
DUCTILE IRON BODY WITH BRONZE-ALU DISC AND NBR ELASTIC RING**



- Size :** DN 40 to 600 mm  
**Ends :** Between flanges PN10/16 and Class 150 (PN20)  
**Min Temperature :** - 10°C  
**Max Temperature :** + 90°C  
**Max Pressure :** 16 Bars up to DN300 (10 bars over)  
**Specifications :** Long neck for isolation  
Bronze-alu C958 disc  
Full crossing stem (up to DN65)  
NBR elastic ring  
With ISO 5211 mounting pad

**Materials :** Ductile iron body EN GJS-400-15

**WAFER BUTTERFLY VALVE  
DUCTILE IRON BODY WITH BRONZE-ALU DISC AND NBR ELASTIC RING**

**SPECIFICATIONS :**

- Long neck for isolation
- ISO 5211 mounting pad
- Wafer type
- Between flanges PN10/16 and Class 150 (PN20)
- Full crossing stem (up to DN65)
- Removable NBR elastic ring
- 9 positions lever up to DN150 and 12 positions lever from DN200 to 300, locking device in opened position
- Bronze-alu C958 disc
- Epoxy RAL 5012 electrostatic painting coated body

**USE :**

- Cold and hot water, sea water
- Min and max Temperature Ts : - 10°C to + 90°C
- Max Pressure Ps : 16 bars up to DN300, 10 bars over

**RANGE :**

- With lever from DN 40 to DN 300
- With gearbox from DN350 to 600
- Possible with gearbox Ref. **40191192** from DN 40 to DN 300

**ENDS :**

- Between flanges PN10-PN16 and Class 150 (PN20)

**TORQUE VALUE ( Nm, without safety coefficient ) at 16 Bars :**

DN	40	50	65	80	100	125	150	200	250	300
Torque ( Nm )	11	15.1	17.2	23.1	39.8	61.9	102	192	323	490

**TORQUE VALUE ( Nm, without safety coefficient ) at 10 Bars :**

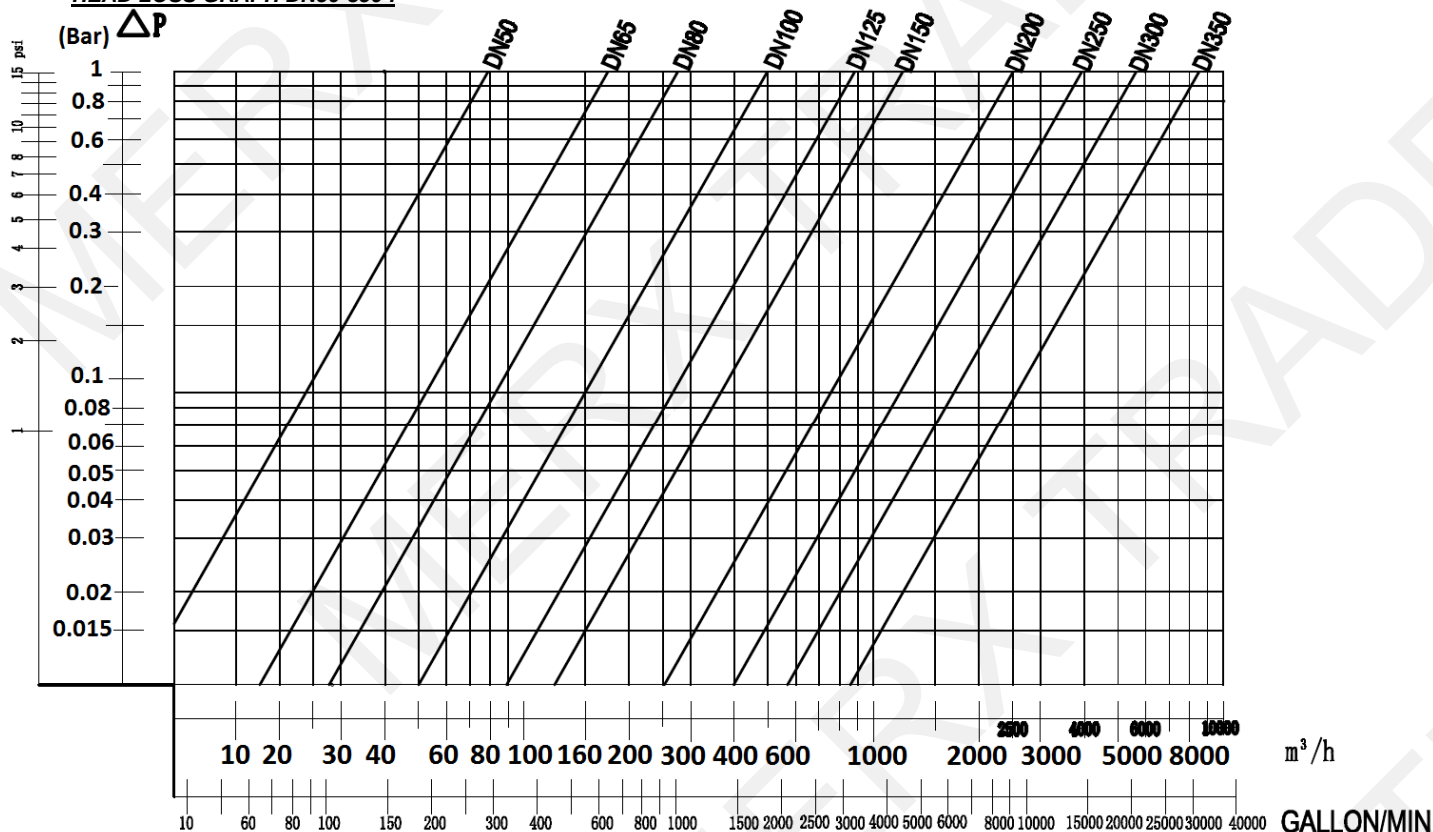
DN	350	400	450	500	600
Torque ( Nm )	550	755	1012	1350	2111

## WAFER BUTTERFLY VALVE DUCTILE IRON BODY WITH BRONZE-ALU DISC AND NBR ELASTIC RING

FLOW COEFFICIENTS Kv ( m<sup>3</sup>/h ) :

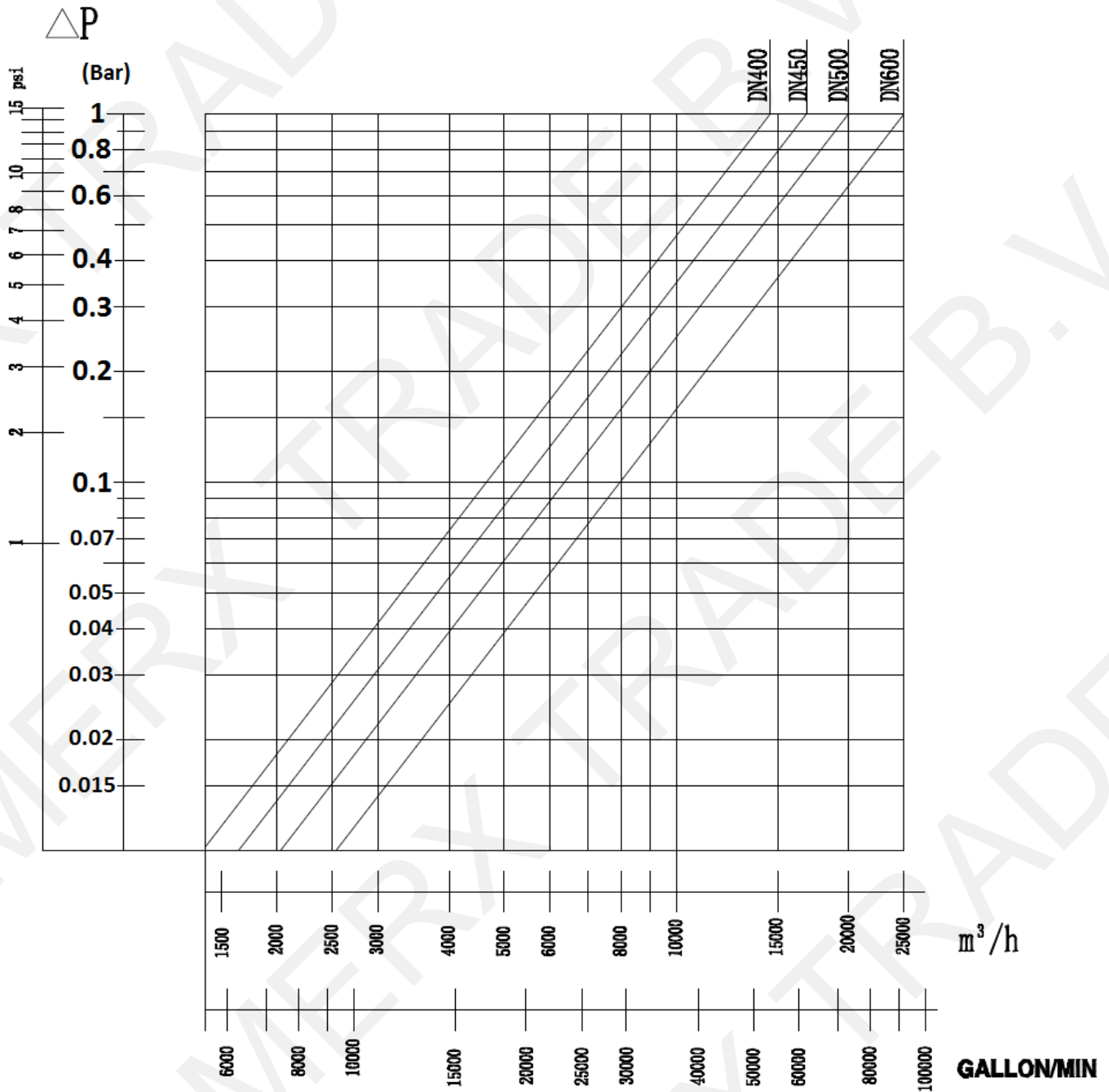
Kv	OPENING ANGLE								
	10°	20°	30°	40°	50°	60°	70°	80°	90°
50	0,05	2,6	6,0	13	23	38	60	90	99
65	0,09	5	10	21	39	64	102	153	168
80	0,17	8	15	33	60	99	157	236	259
100	0,26	15	31	67	119	197	312	468	514
125	0,43	25	52	114	203	336	531	797	876
150	0,69	39	81	176	314	518	821	1231	1353
200	1,7	76	161	350	623	1030	1631	2446	2687
250	2,6	129	274	595	1060	1754	2776	4164	4576
300	3	201	424	919	1638	2710	4289	6433	7069
350	5	290	613	1327	2366	3914	6195	9292	10212
400	7	398	842	1825	3254	5383	8519	12779	14043
450	9	527	1116	2418	4308	7129	11284	16925	18599
500	12	678	1411	3109	5540	9167	14508	21762	23914
600	19	1047	2217	4803	8560	14163	22414	33621	36946

HEAD LOSS GRAPH DN50-350 :



**WAFER BUTTERFLY VALVE  
DUCTILE IRON BODY WITH BRONZE-ALU DISC AND NBR ELASTIC RING**

HEAD LOSS GRAPH DN400-600 :

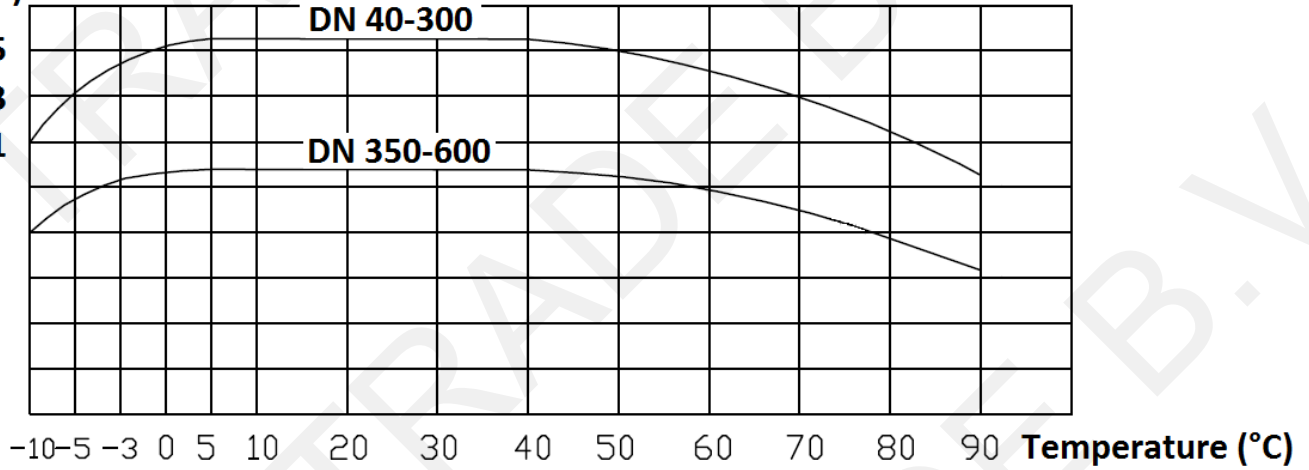


**WAFER BUTTERFLY VALVE  
DUCTILE IRON BODY WITH BRONZE-ALU DISC AND NBR ELASTIC RING**

PRESSURE / TEMPERATURE GRAPH (STEAM EXCLUDED) :

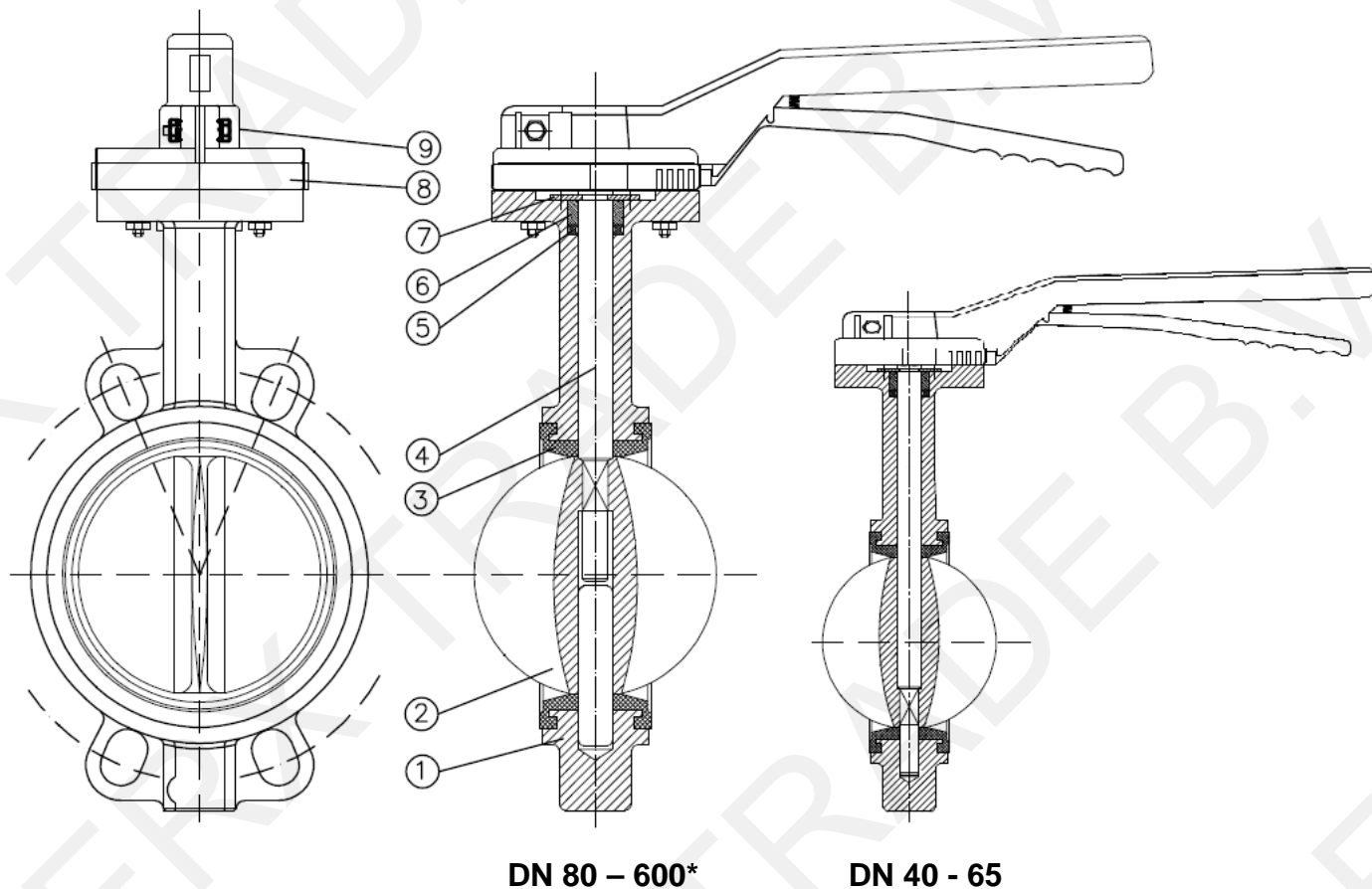
Pressure

(Bar)



**WAFLER BUTTERFLY VALVE  
DUCTILE IRON BODY WITH BRONZE-ALU DISC AND NBR ELASTIC RING**

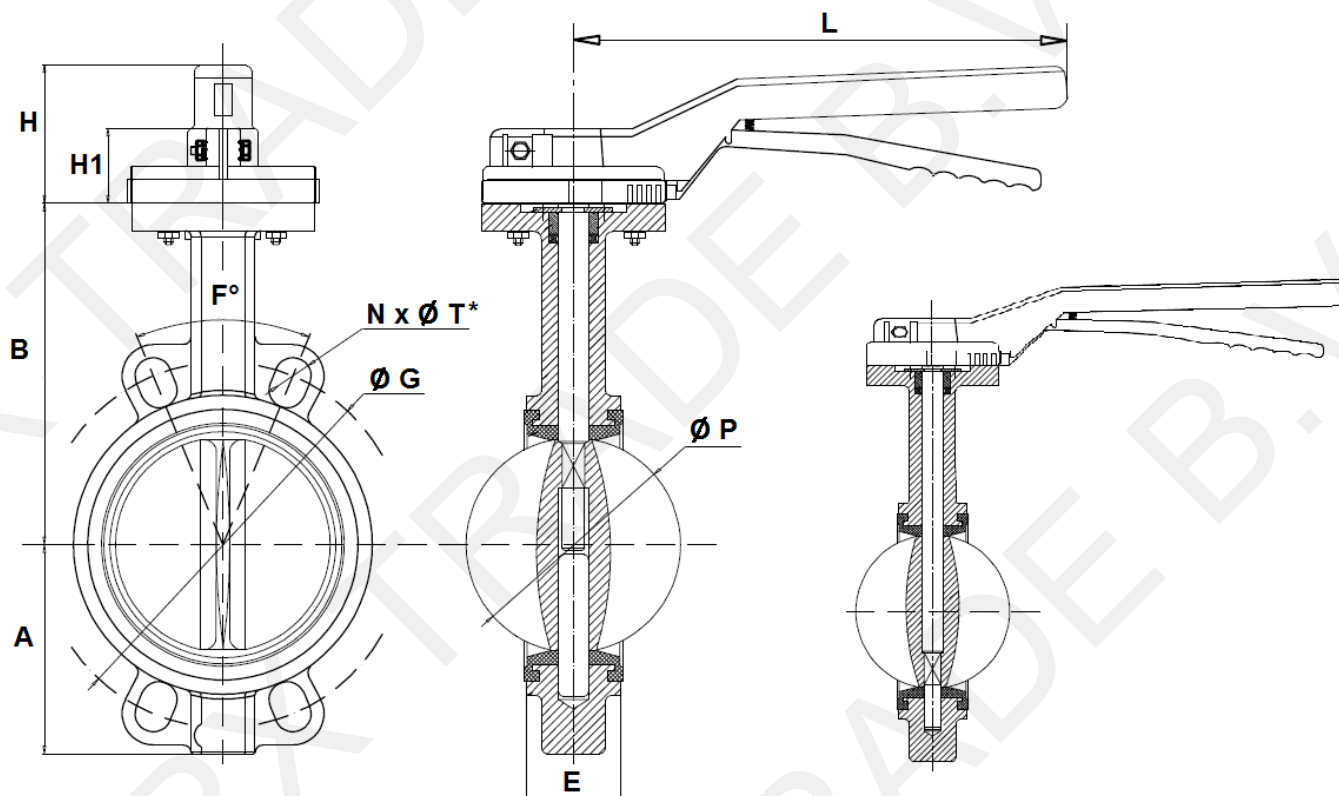
**MATERIALS :**



Item	Designation	Materials
1	Body	Ductile iron EN GJS-400-15
2	Disc	Bronze-alu C958
3	Elastic ring	NBR
4	Stem	SS 416
5	Gasket	NBR
6	Bushing	PTFE
7	Circlips	Steel
8	Plate	Aluminium
9 (* up to DN300)	Lever	Aluminium

## WAFFER BUTTERFLY VALVE DUCTILE IRON BODY WITH BRONZE-ALU DISC AND NBR ELASTIC RING

VALVE SIZE PN16 ( in mm ) DN40-300 :



(\* : body with 8 flanges holes for DN80)

**DN 80 – 300**

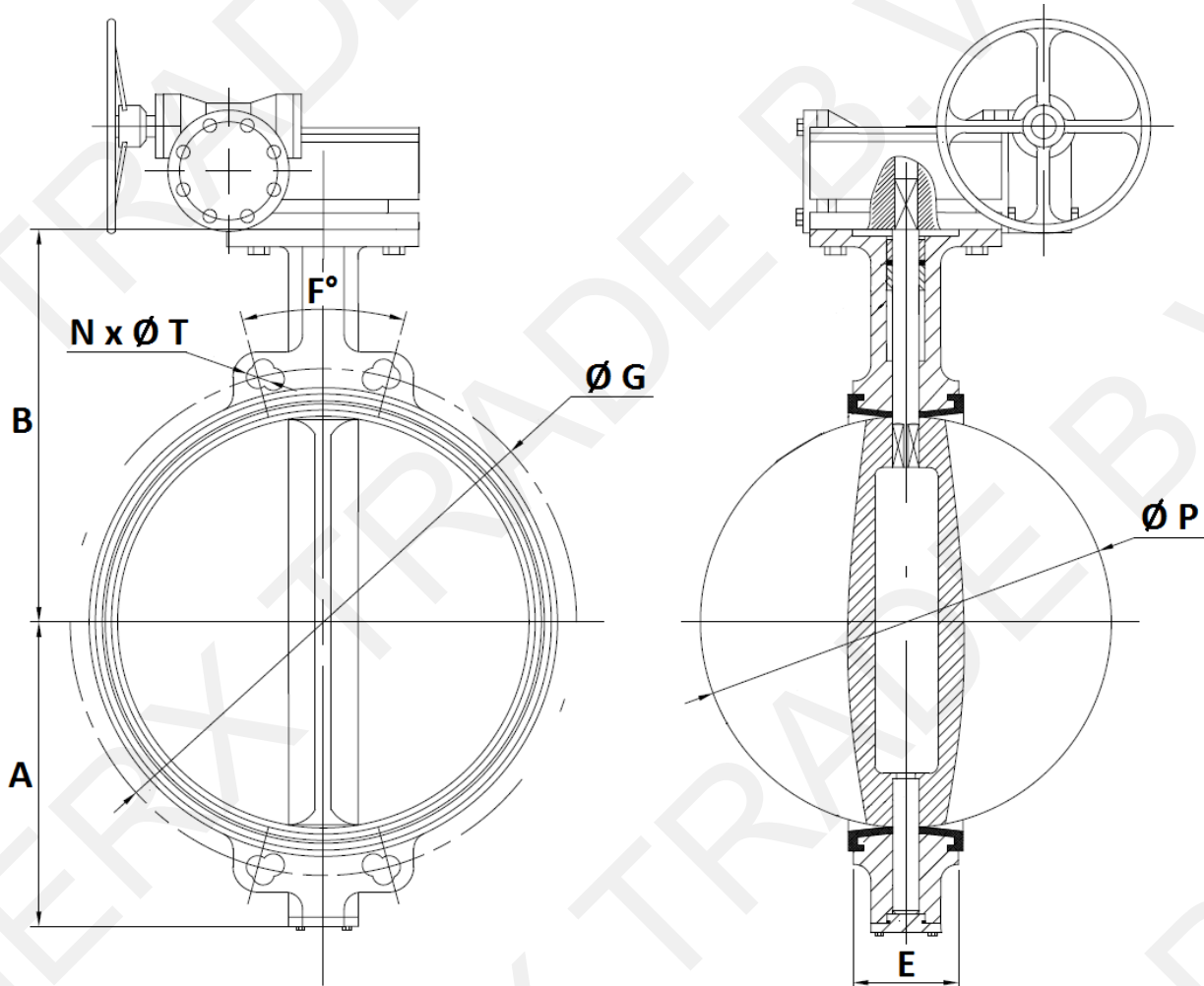
**DN 40 - 65**

Ref.	DN	40	50	65	80	100	125	150	200	250	300	
1174	Ø P	41.8	52.9	64.5	78.8	104	123.3	155.1	202.5	250.5	301.5	
	L	200	200	200	200	200	325	325	400	400	400	
	E	33	43	46	46	52	56	56	60	68	78	
	H1	43	43	43	43	43	43	43	46	46	46	
	H	74	74	74	74	74	75	75	75	75	75	
	B	120	140	150	158	176	190	211	235	265	305	
	A	57	65	75	93	108	125	135	170	205	238	
	F°	90°	90°	90°	45°	45°	45°	45°	30°	30°	30°	
	N x Ø T*	4 x 18	4 x 18	4 x 18	8 x 18	4 x 18	4 x 18	4 x 18	4 x 22	4 x 22	4 x 26	4 x 26
	Ø G	110	125	145	160	180	210	240	295	355	410	
	Weight (Kg)	2.3	2.7	3.4	4.2	5.4	7.3	8.7	14.6	21.3	28.6	



**WAFER BUTTERFLY VALVE  
DUCTILE IRON BODY WITH BRONZE-ALU DISC AND NBR ELASTIC RING**

VALVE SIZE PN10 ( in mm ) DN350-600 :

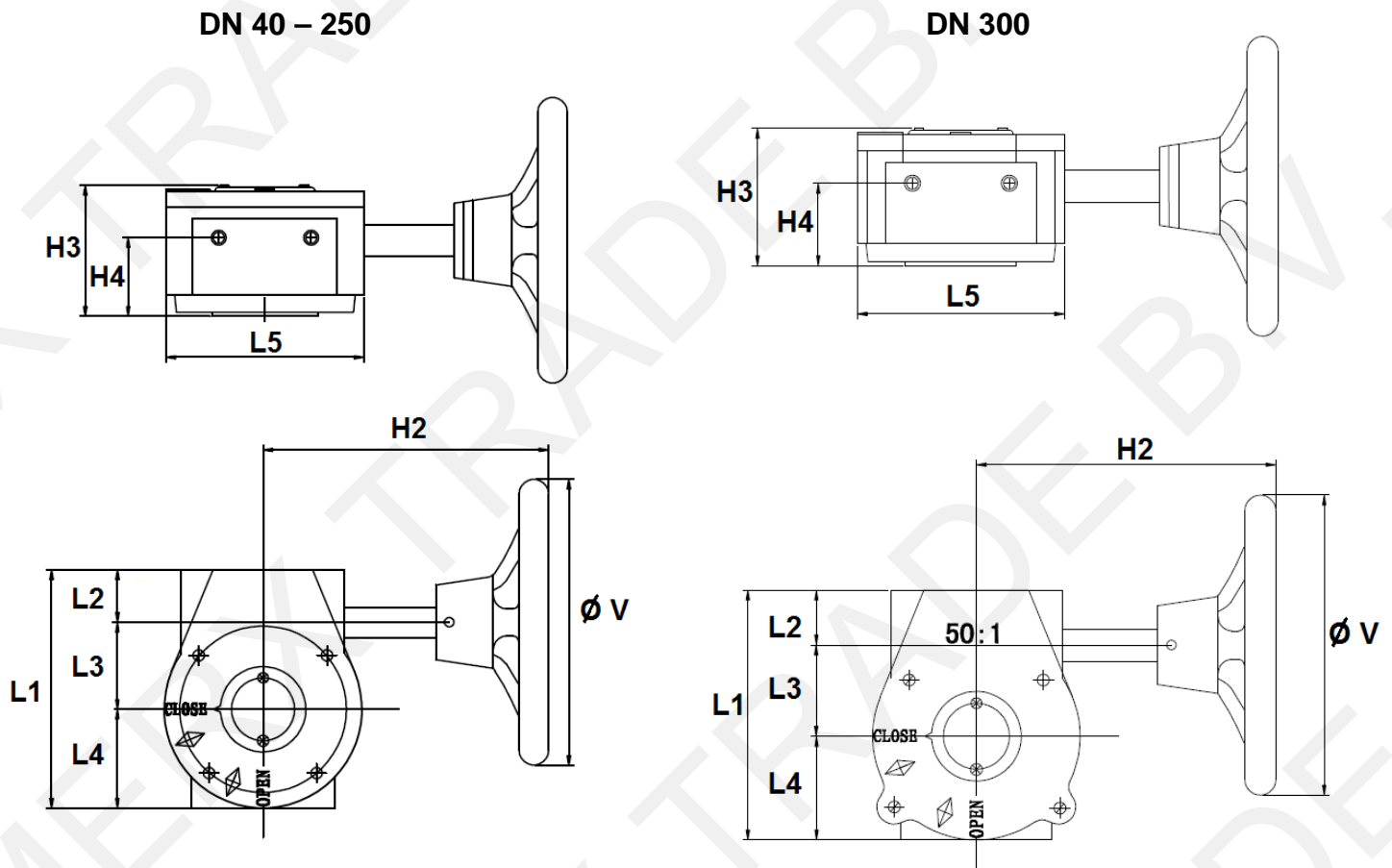


Ref.	DN	350	400	450	500	600
1174	$\varnothing P$	333.3	389.6	440.5	491.6	592.5
	E	78	102	114	127	154
	B	368	400	422	480	480
	A	309	309	328	361	459
	$F^\circ$	22	22	18	18	18
	$N \times \varnothing T^*$	4 x 22	4 x 26	4 x 26	4 x 26	4 x 30
	$\varnothing G$	460	515	565	620	725
	Weight (Kg)	52	89	107	156	236



**WAFER BUTTERFLY VALVE**  
**DUCTILE IRON BODY WITH BRONZE-ALU DISC AND NBR ELASTIC RING**

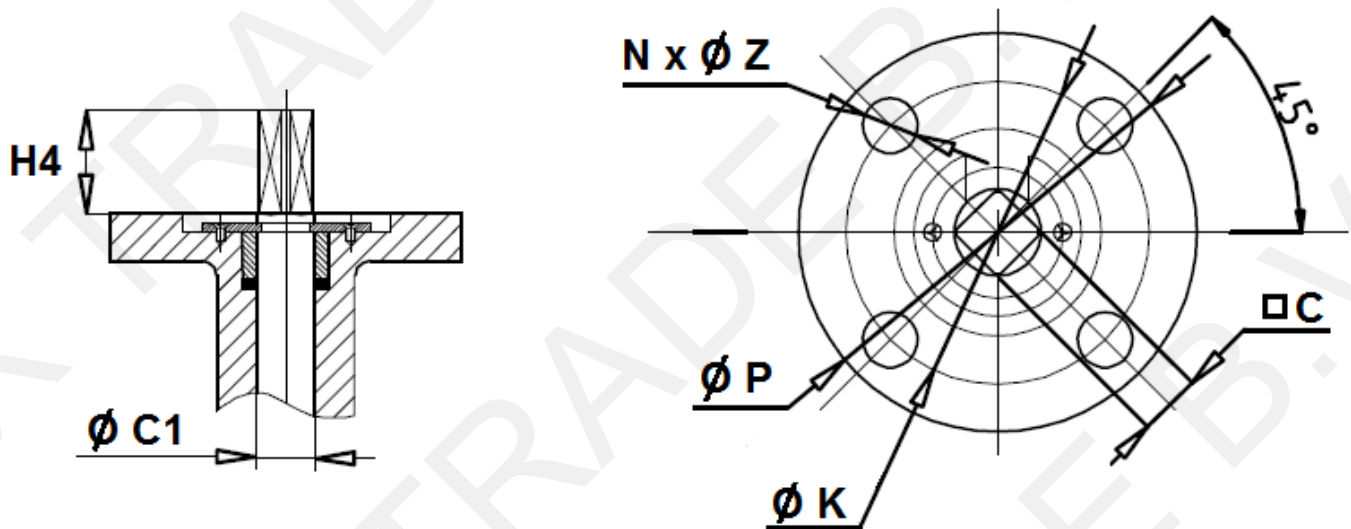
GEARBOX SIZE REF.40191192 ( in mm ) :



Ref.	DN	40 – 80	100	125 – 150	200	250	300	
1192	Ø V	150	150	150	300	300	300	
	H2	156	156	156	220	220	225	
	H3	72	72	72	85	85	82	
	H4	43	43	43	45	45	45	
	L1	125	125	125	170	170	185	
	L2	30	30	30	33	33	32.5	
	L3	45	45	45	66	66	77.5	
	L4	50	50	50	71	71	75	
	L5	104	104	104	146	146	155	
	Weight (Kg)		3.8	3.8	3.8	8.1	8.1	9.8
	Ref.		1192001	1192002	1192003	1192004	1192005	1192006

**WAFER BUTTERFLY VALVE  
DUCTILE IRON BODY WITH BRONZE-ALU DISC AND NBR ELASTIC RING**

ISO MOUNTING PAD SIZE ( in mm ) :



DN	40	50	65	80	100	125	150	200	250	300
H4	43	43	43	43	43	43	43	46	46	46
Ø C1	12.6	12.6	12.6	12.6	15.77	18.92	18.92	22.1	28.45	31.6
C	9	9	9	9	11	14	14	17	22	22
Ø P	90	90	90	90	90	90	90	125	125	125
Ø K	70	70	70	70	70	70	70	102	102	102
ISO	F07	F07	F07	F07	F07	F07	F07	F10	F10	F10
N x Ø Z	4 x 10	4 x 10	4 x 10	4 x 10	4 x 10	4 x 10	4 x 10	4 x 12	4 x 12	4 x 12

DN	350	400	450	500	600
H4	45	52	52	65	70
Ø C1	31.6	37.95	42.86	45.72	53.98
C	22	27	27	36	36
Ø P	125	175	175	175	210
Ø K	102	140	140	140	165
ISO	F10	F14	F14	F14	F16
N x Ø Z	4 x 12	4 x 18	4 x 18	4 x 18	4 x 23

**WAFER BUTTERFLY VALVE  
DUCTILE IRON BODY WITH BRONZE-ALU DISC AND NBR ELASTIC RING**

**GEARBOX SPECIFICATIONS REF.40191192:**

DN	40 – 80	100	125 – 150	200	250	300
Ref.	40191192001	40191192002	40191192003	40191192004	40191192005	40191192006
Ratio factor	24 :1	24 :1	24 :1	32 :1	32 :1	50 :1
Number of turns for closing/opening	6	6	6	8	8	12.5
Output torque ( Nm )	170	170	170	500	500	1200

**STANDARDS :**

- Fabrication according to ISO 9001:2008
- Designing according to BS 5155
- DIRECTIVE 97/23/CE : CE N° 0035  
Risk category III module H
- Pressure tests according to EN 12266-1, range A
- Between flanges according to EN 1092-1 PN16
- ISO 5211 mounting pad
- Length according to ISO 5752 short series 20, EN 558 series 20 ( NF 29305 ),BS 5155 Wafer short/medium, DIN 3202 part 3, series K1

**ADVICE :** Our opinion and our advice are not guaranteed and MXT shall not be liable for the consequences of damages.  
The customer must check the right choice of the products with the real service conditions.

## WAFER BUTTERFLY VALVE DUCTILE IRON BODY WITH BRONZE-ALU DISC AND NBR ELASTIC RING

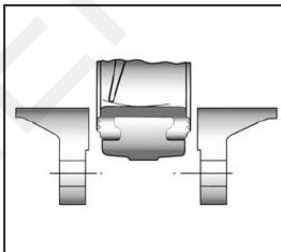
### INSTALLATION INSTRUCTIONS

#### GENERAL GUIDELINES :

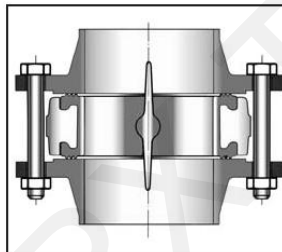
- Ensure that the valves to be used are appropriate for the conditions of the installation (type of fluid, pressure and temperature).
- Be sure to have enough valves to be able to isolate the sections of piping as well as the appropriate equipment for maintenance and repair.
- Ensure that the valves to be installed are of correct strength to be able to support the capacity of their usage.
- **Installation of all circuits should ensure that their function can be automatically tested on a regular basis (at least two times a year).**

#### INSTALLATION INSTRUCTIONS :

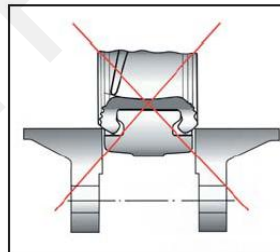
- **Before installing the valves, clean and remove any objects from the pipes** (in particular bits of sealing and metal) which could obstruct and block the valves.
- **Ensure that both connecting pipes either side of the valve (upstream and downstream) are aligned (if they're not, the valves may not work correctly).**
- **Make sure that the two sections of the pipe (upstream and downstream) match, the valve unit will not absorb any gaps. Any distortions in the pipes may affect the tightness of the connection, the working of the valve and can even cause a rupture. To be sure, place the kit in position to ensure the assembling will work.**
- **If sections of piping do not have their final support in place, they should be temporarily fixed. This is to avoid unnecessary strain on the valve.**
- The valve must be inserted between flanges with disc half opened but the disc must not overpass the valve thickness. Position the bolts to keep centered the valve. Then open fully the valve and tighten the bolts. **See graph under.**



Half open valve introduction



Complete opened disc valves  
when screw tightening



- Tighten the bolts in cross.
- The disc must move easily inside the pipe.
- Valves must be opened during cleaning operation.
- Tests must be done with a cleaned pipe.
- Tests must be done with opened valve. Test pressure must not be higher than the valve specification according to EN 12266-1.
- Then open slowly the valve.
- **Do not mount butterfly valves with stainless steel pressed collars and turning flanges without strias.**
- **And not on flat face flanges without strias ( example : painted cast iron fittings )**

**WAFER BUTTERFLY VALVE  
DUCTILE IRON BODY WITH BRONZE-ALU DISC AND NBR ELASTIC RING**

**MAINTENANCE :**

- We recommend to operate fully the valve 1 to 2 times per year.
- During maintenance operation, ensure that the pipe isn't under pressure, that there's no fluid in the pipe and that the valve is isolated. If there's a fluid in the pipe , evacuate it. Ensure that there are no risks due to the temperature or the fluid ( like acids ). If the fluid is corrosive , inert the installation before maintenance operation.