

Butterfly valve Mono Long

BONDED LINER

DN50~350



TECHNICAL FEATURES

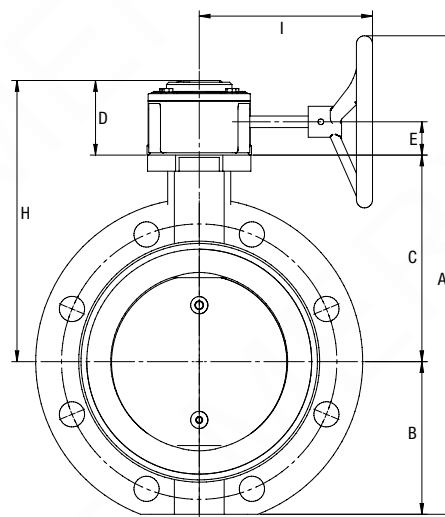
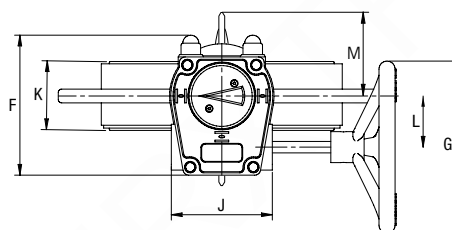
Standard	EN 593
Face to Face	EN 558-1 (ISO 5752)
Flange connection	DIN PN16 DN40~DN150 DIN PN10 DN200~DN1000
Top flange	ISO 5211
Operation	Gearbox

PRESSURE & TEMPERATURE RANGES

Max. working press.	16 Bar DN40~DN150 10 Bar DN200~DN1000
Temperature	-23°C ~ +120°C

MATERIAL SPECIFICATION

1 Body	GGG40.3	Nodular Cast Iron
2 Seat	EPDM	Rubber
3 Disc	BS1400-AB2	Aluminium/Bronze
4 Shaft	1.1422	Stainless Steel



DIMENSIONS

DN (mm)	Gearbox Type	A (mm)	B (mm)	C (mm)	D (mm)	E (mm)	F (mm)	ØG (mm)	H (mm)	I (mm)	J (mm)	K (mm)	L (mm)	M (mm)	Weight (kg)
50	AB150N	287	67	118	55	27	124	150	173	155	80	43	43	4.7	6
65	AB150N	302	74	126	55	27	124	150	181	155	80	46	43	11	7
80	AB150N	317	82	133	55	27	124	150	188	155	80	64	43	18	7.2
100	AB150N	349	100	147	55	27	124	150	202	155	80	64	43	26	9.1
125	AB150N	374	112	160	55	27	124	150	215	155	80	70	43	35	12.3
150	AB150N	416	134	180	55	27	124	150	235	155	80	76	43	47	14.3
200	AB210N	495	159	204	63	32	128	200	267	225	102	89	52	70	19
250	AB215N	597	195	245	63	32	128	250	308	225	102	114	52	91	31.8
300	AB215N	647	220	270	63	32	128	250	333	225	102	114	52	113	39.6
350	AB550N	791	282	315	88	44	174	300	403	296	138	127	71	129	66