

Globe Valve Self-Closing Type

Bronze Globe valve self-closing type with lever
PN16
Threaded ends UNI ISO 228-1

Ptfe seat



Application

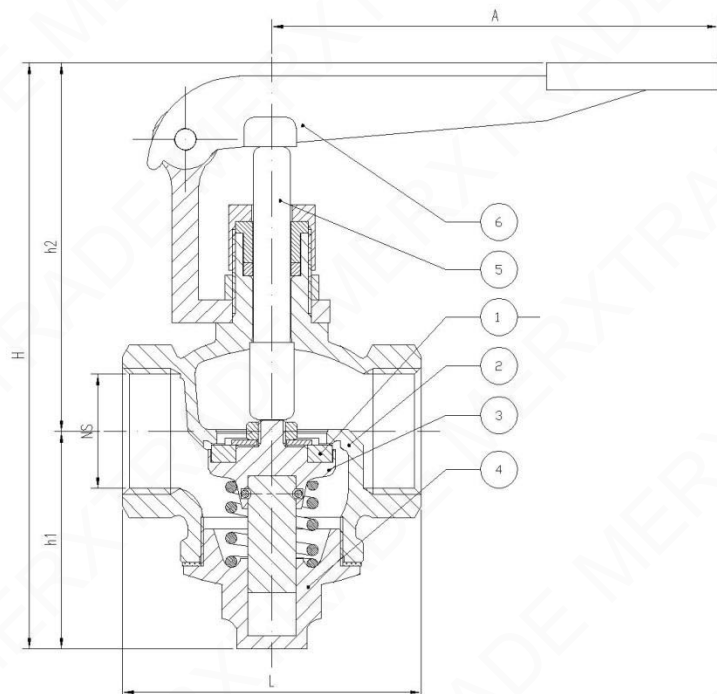
Suitable for non-toxic and non- inflammable fluids, gasses and vapors. The laws, regulations and standards are to observe for the range of application.

Working temperatures and pressure

Up to max. 16.0 bar: -10°C to +180°C

Standard marking acc.to Pressure Equipment Directive 2014/68/EU (PED).

Pressure test acc.to EN 12266:2004.



| Description | Materials | |
|-------------|-----------|--------|
| 1 Seal | | Ptfe |
| 2 Body | Bronze | CC491K |
| 3 Disc | Brass | CW614N |
| 4 Bonnet | Brass | CW614N |
| 5 Stem | Brass | CW614N |
| 6 Lever | Brass | CW614N |

| Description | Nominal size | NS | Dimensions [mm] | | | | | |
|---------------------------|--------------|----|-----------------|------|-----|-------|-------|-----|
| | | | 1/2" | 3/4" | 1" | 1"1/4 | 1"1/2 | 2" |
| Sleeve-to-face dimension | | h1 | 48 | 51 | 58 | 64 | 72 | 67 |
| Sleeve-to-lever dimension | | h2 | 85 | 96 | 104 | 135 | 140 | 150 |
| Height (approx) | | H | 133 | 147 | 162 | 199 | 212 | 217 |
| Center-to-lever dimension | | A | 130 | 130 | 130 | 160 | 160 | 160 |
| Face-to-face dimension | | L | 60 | 70 | 80 | 96 | 104 | 130 |