

## 2 PIECES F316L BALL VALVE WITH WELDING ENDS CLASS 800

2 pieces ball valve 800lbs forged stainless steel with welding ends full bore for Chemical and Pharmaceutical industries, petrochemical industries, hydraulic installation, heating and compressed air.

Ball valve with fire safe certificate BS 67755-2 to reduce risks in case of fire.

PTFE filled with 25% Carbon seat, packing and body gasket.

Compatible with explosive atmosphere, ATEX Zone 1&21 and Zone 2&22 thanks to the double antistatic device.

Handling possible with locking device, stainless steel handle or oval hand wheel.



**Size :** DN8 to DN50

**Connection :** Butt Welding, Socket welding or straight welding

**Min Temperature :** -30°C

**Max Temperature :** +180°C

**Max Pressure :** 132 Bars (Class 800)

**Specifications :** Anti blow-out stem, ATEX

Fire safe BS 6755-2

Antistatic device

Full bore

**Materials :** Forged Stainless Steel ASTM A276 316L

**2 PIECES F316L BALL VALVE WITH WELDING ENDS CLASS 800**

**SPECIFICATIONS :**

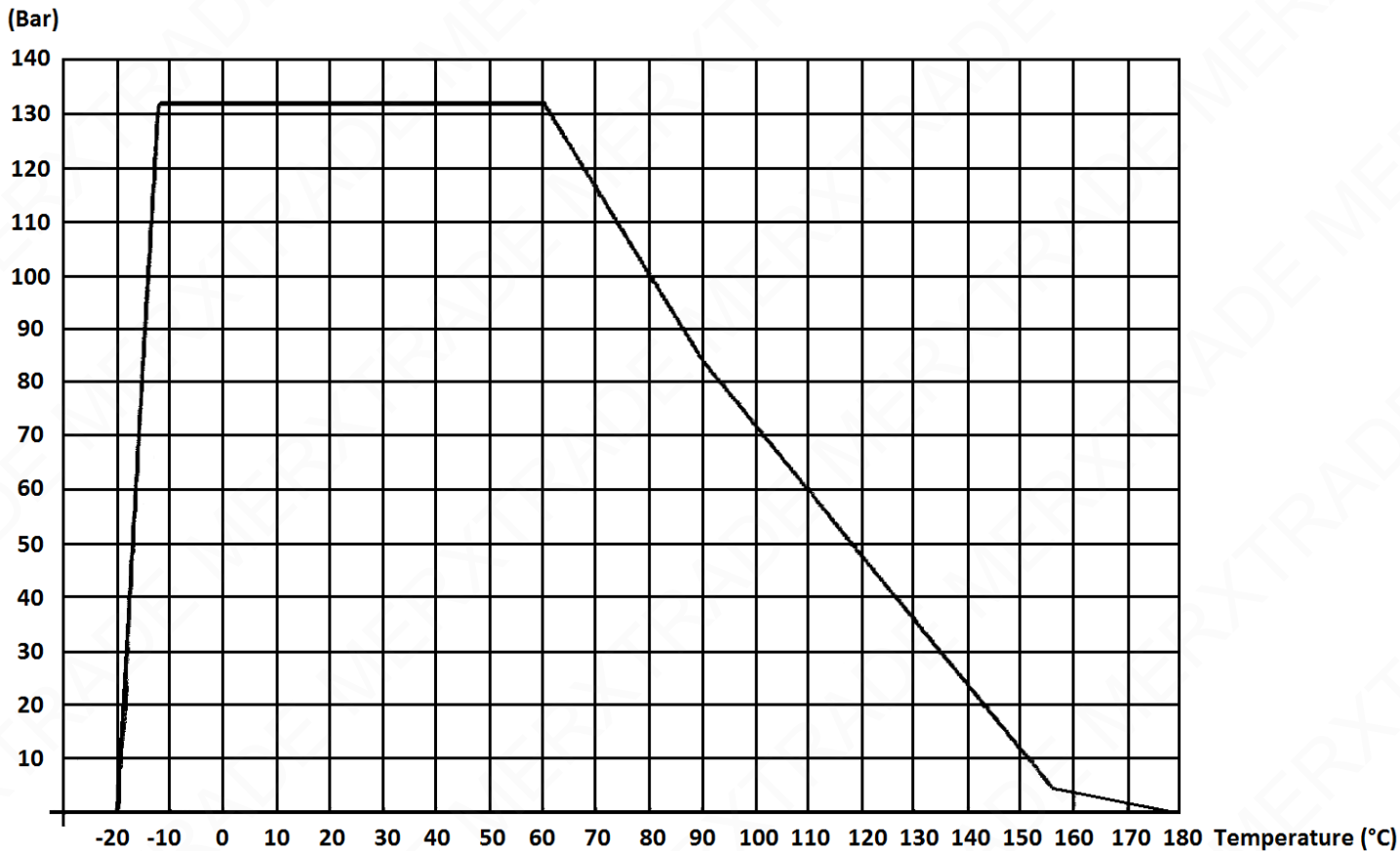
- Full bore
- Anti blow-out stem
- Ends 100 mm But Welding schedule 80 , or socket welding or straight welding
- Class 800
- Fire safe according to BS 6755 part.2
- Atex
- Antistatic device
- 2 pieces type
- NACE MR01-75
- Roughness Ra 0.4 for the ball, Ra 1.6 for the ends

**USE :**

- Chemical and pharmaceutical industries, petrochemical industries, hydraulic installation, compressed air
- Min and max Temperature Ts : - 30°C to + 180°C
- Max Pressure Ps : 132 bars
- Steam : 5 bars maximum

**PRESSURE / TEMPERATURE GRAPH :**

**PRESSURE**



## 2 PIECES F316L BALL VALVE WITH WELDING ENDS CLASS 800

**TORQUES VALUES (in Nm without safety coefficient) :**

| DN (mm)     | 8    | 10   | 15   | 20   | 25 | 32     | 40     | 50  |
|-------------|------|------|------|------|----|--------|--------|-----|
| NPS (")     | 1/4" | 3/8" | 1/2" | 3/4" | 1" | 1"1/4" | 1"1/2" | 2"  |
| Torque (Nm) | 12   | 12   | 12   | 12   | 25 | 64     | 78     | 103 |

**RANGE :**



- Ball valve class 800 forged F316L body and welding ends **Ref. 719 / 7191 / 7192** from DN 8 to DN 50



- Stainless steel 304 with red cover handle

| DN   | 8-10    | 15      | 20-25   | 32-40   | 50      |
|------|---------|---------|---------|---------|---------|
| Ref. | 9830320 | 9830316 | 9830317 | 9830318 | 9830321 |



- Locking device (with padlock)

| DN   | 8-10    | 15      | 20-25   | 32-40   | 50      |
|------|---------|---------|---------|---------|---------|
| Ref. | 9830301 | 9830313 | 9830314 | 9830315 | 9830496 |



- Galvanized steel handwheel

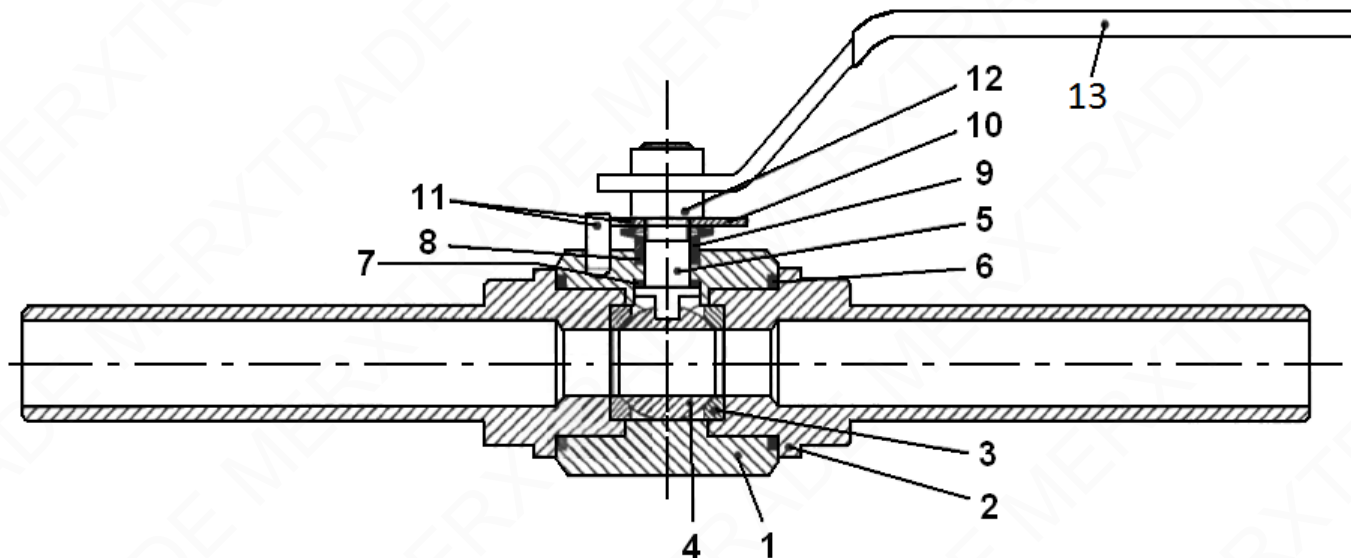
| DN   | 8-10    | 15      | 20-25   | 32-40   | 50 |
|------|---------|---------|---------|---------|----|
| Ref. | 9830571 | 9830572 | 9830573 | 9830574 |    |

**ENDS :**

- Butt Welding ends schedule 80 **Ref. 719**
- Straight welding ends **Ref. 7191** (on request)
- Socket Welding ends **Ref. 7192** (on request)

**2 PIECES F316L BALL VALVE WITH WELDING ENDS CLASS 800**

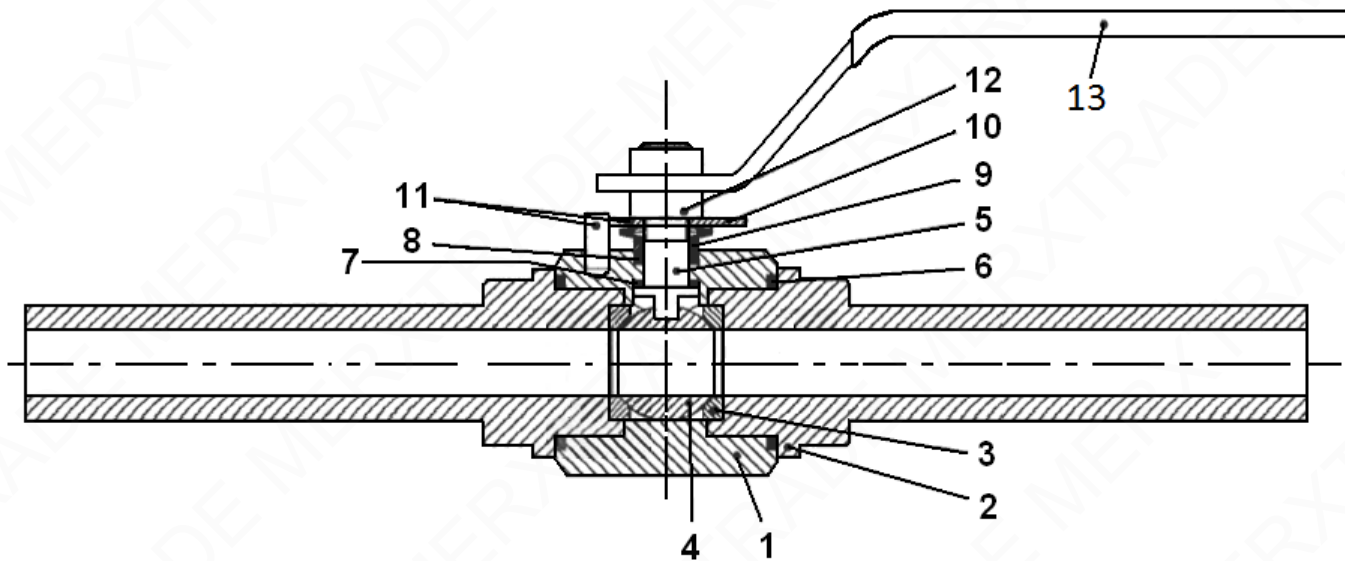
MATERIALS BUTT WELDING ENDS TYPES 719 :



| Item | Designation   | Materials                   |
|------|---------------|-----------------------------|
| 1    | Body          | ASTM A182 F316L             |
| 2    | Ends          |                             |
| 3    | Seat          | PTFE filled with 25% carbon |
| 4    | Ball          | ASTM A182 F316L             |
| 5    | Stem          |                             |
| 6    | Body gasket   | PTFE filled with 25% carbon |
| 7    | Thrust washer |                             |
| 8    | Packing       |                             |
| 9    | Packing gland | AISI 304                    |
| 10   | Disc springs  | Galvanized steel            |
| 11   | Stop          |                             |
| 12   | Nut           |                             |
| 13   | Handle        |                             |

**2 PIECES F316L BALL VALVE WITH WELDING ENDS CLASS 800**

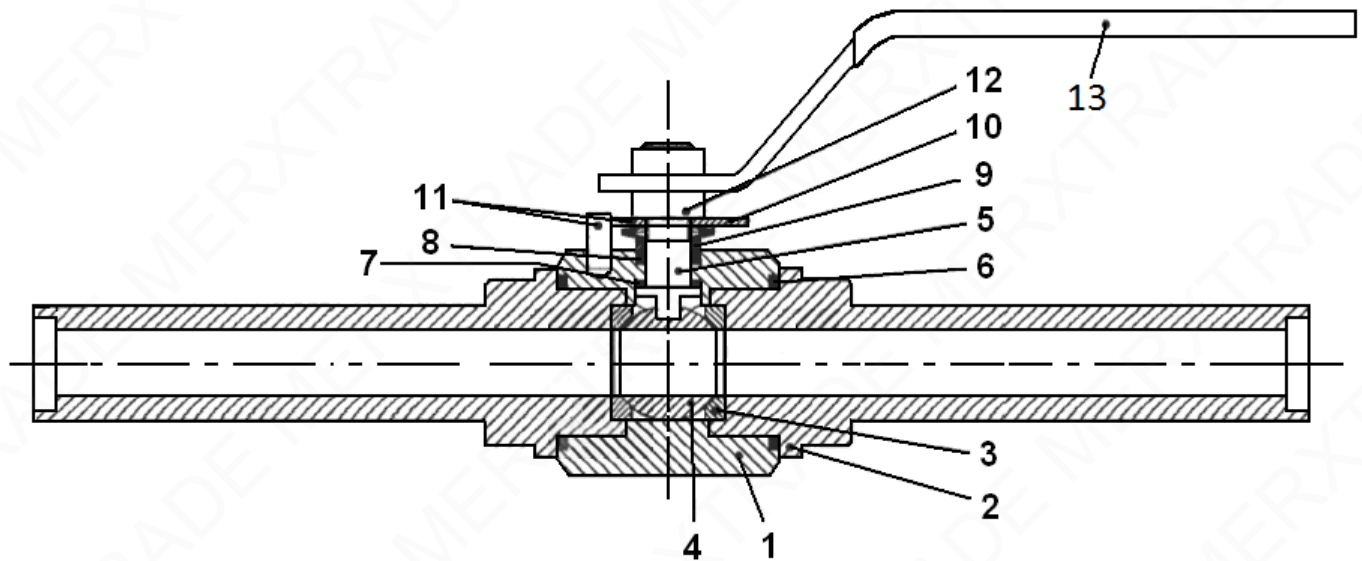
MATERIALS STRAIGHT WELDING ENDS TYPES 7191 :



| Item | Designation   | Materials                   |
|------|---------------|-----------------------------|
| 1    | Body          | ASTM A182 F316L             |
| 2    | Ends          |                             |
| 3    | Seat          | PTFE filled with 25% carbon |
| 4    | Ball          | ASTM A182 F316L             |
| 5    | Stem          |                             |
| 6    | Body gasket   | PTFE filled with 25% carbon |
| 7    | Thrust washer |                             |
| 8    | Packing       |                             |
| 9    | Packing gland | AISI 304                    |
| 10   | Disc springs  | Galvanized steel            |
| 11   | Stop          |                             |
| 12   | Nut           |                             |
| 13   | Handle        |                             |

**2 PIECES F316L BALL VALVE WITH WELDING ENDS CLASS 800**

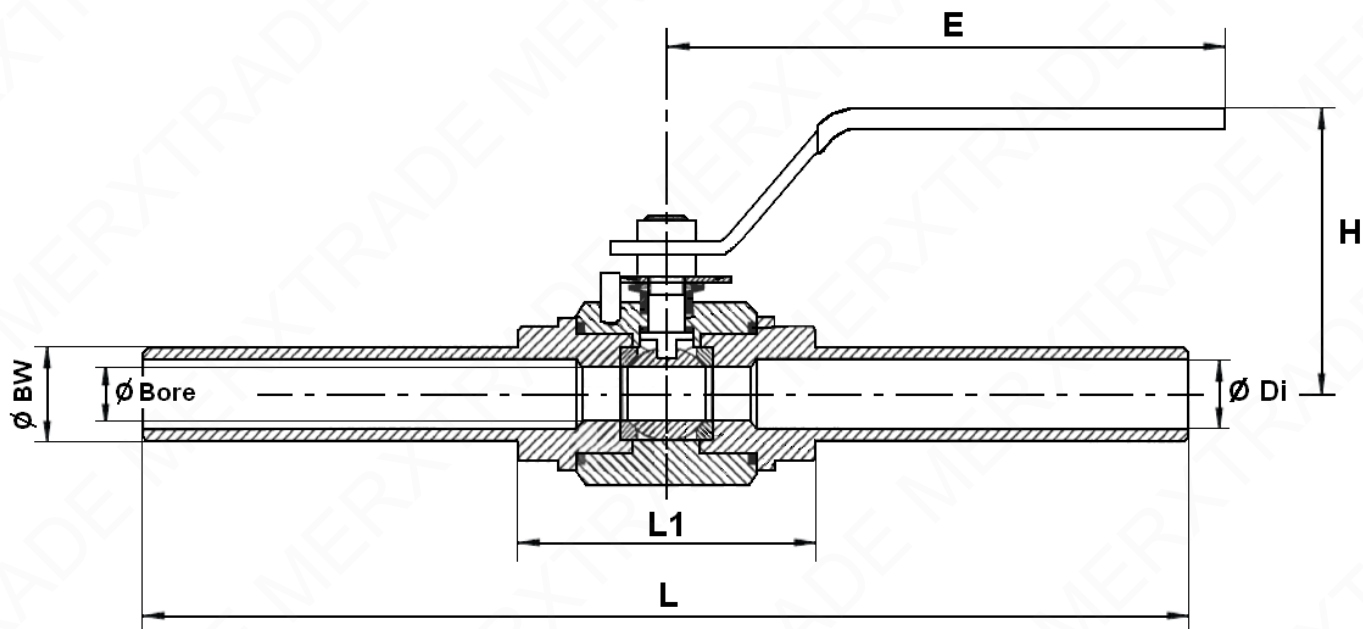
MATERIALS SOCKET WELDING ENDS TYPES. 7192 :



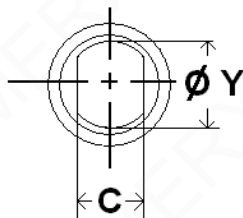
| Item | Designation   | Materials                   |
|------|---------------|-----------------------------|
| 1    | Body          | ASTM A182 F316L             |
| 2    | Ends          |                             |
| 3    | Seat          | PTFE filled with 25% carbon |
| 4    | Ball          | ASTM A182 F316L             |
| 5    | Stem          |                             |
| 6    | Body gasket   | PTFE filled with 25% carbon |
| 7    | Thrust washer |                             |
| 8    | Packing       |                             |
| 9    | Packing gland | AISI 304                    |
| 10   | Disc springs  | Galvanized steel            |
| 11   | Stop          |                             |
| 12   | Nut           |                             |
| 13   | Handle        |                             |

**2 PIECES F316L BALL VALVE WITH WELDING ENDS CLASS 800**

**SIZE BUTT WELDING ENDS TYPES 719 ( in mm ) :**



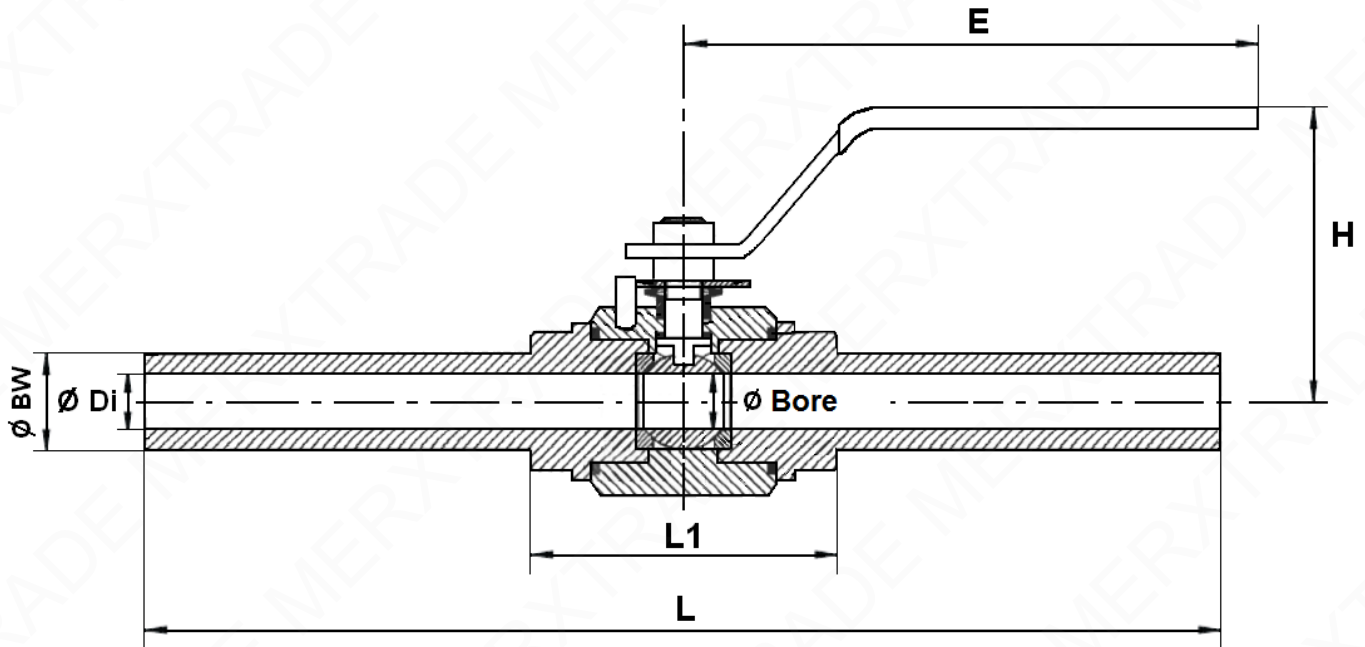
**Stem size :**



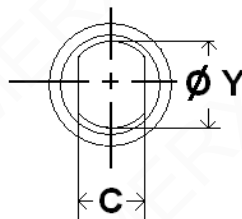
| DN             | 8      | 10     | 15     | 20     | 25     | 32     | 40     | 50     |
|----------------|--------|--------|--------|--------|--------|--------|--------|--------|
| Ø Bore         | 10     | 10     | 15     | 20     | 25     | 30     | 38     | 48     |
| L              | 267    | 267    | 275    | 290    | 310    | 320    | 335    | 355    |
| L1             | 67     | 67     | 75     | 90     | 105    | 120    | 135    | 155    |
| E              | 148    | 148    | 148    | 180    | 180    | 240    | 240    | 280    |
| H              | 72     | 72     | 75     | 85     | 95     | 100    | 105    | 115    |
| Ø BW           | 13.5   | 17.2   | 21.3   | 26.7   | 33.4   | 42.2   | 48.3   | 60.3   |
| Ø Di           | 7.7    | 10.8   | 13.9   | 18.8   | 24.3   | 32.5   | 38.1   | 49.2   |
| C              | 5      | 5      | 5.5    | 7.5    | 7.5    | 9      | 9      | 9      |
| Ø Y            | 8      | 8      | 10     | 12     | 12     | 14     | 14     | 14     |
| Weight (in Kg) | 0.6    | 0.6    | 1      | 2      | 4      | 5.5    | 7      | 9      |
| Ref.           | 719008 | 719010 | 719015 | 719020 | 719025 | 719032 | 719040 | 719050 |

## 2 PIECES F316L BALL VALVE WITH WELDING ENDS CLASS 800

**SIZE STRAIGHT WELDING ENDS TYPES 7191 ( in mm ) :**



**Stem size :**

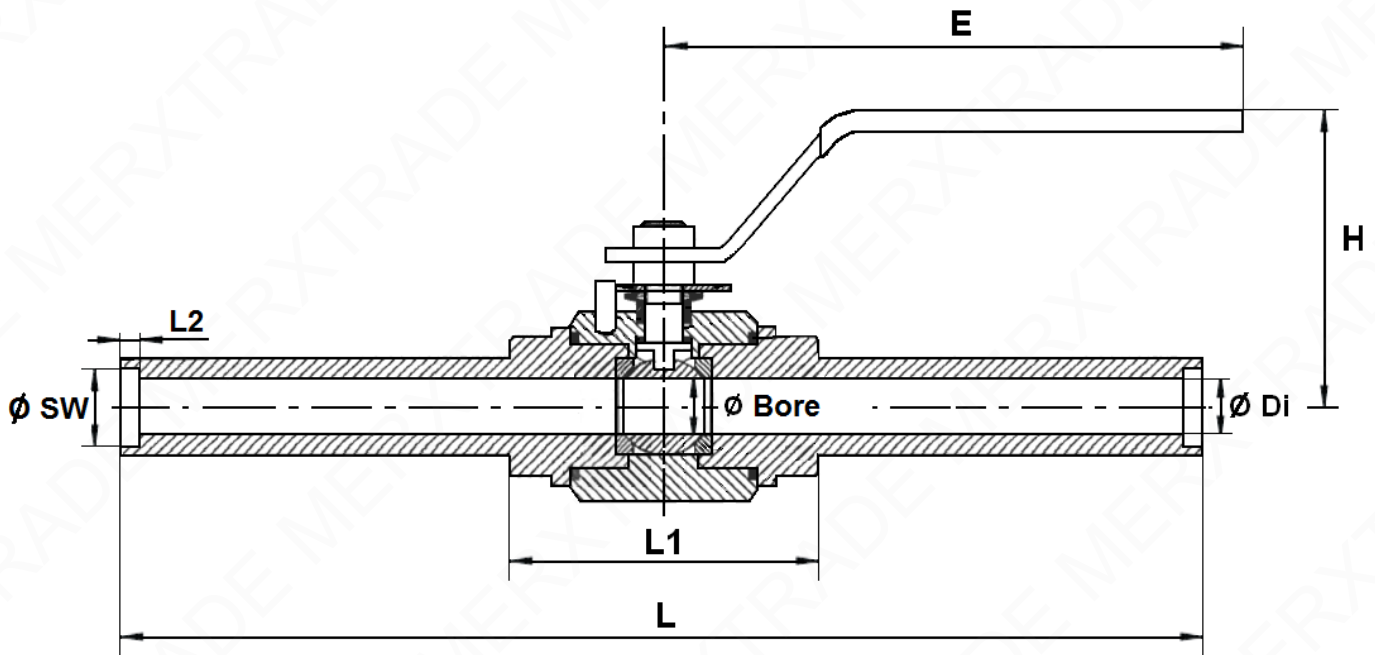


| DN             | 8      | 10     | 15     | 20     | 25     | 32     | 40     | 50     |
|----------------|--------|--------|--------|--------|--------|--------|--------|--------|
| Ø Bore         | 10     | 10     | 15     | 20     | 25     | 30     | 38     | 48     |
| L              | 267    | 267    | 275    | 290    | 310    | 320    | 335    | 355    |
| L1             | 67     | 67     | 75     | 90     | 105    | 120    | 135    | 155    |
| E              | 148    | 148    | 148    | 180    | 180    | 240    | 240    | 280    |
| H              | 72     | 72     | 75     | 85     | 95     | 100    | 105    | 115    |
| Ø BW           | 13.5   | 17.2   | 21.3   | 26.7   | 33.4   | 42.2   | 48.3   | 60.3   |
| Ø Di           | 7.7    | 10.8   | 13.9   | 18.8   | 24.3   | 32.5   | 38.1   | 49.2   |
| C              | 5      | 5      | 5.5    | 7.5    | 7.5    | 9      | 9      | 9      |
| Ø Y            | 8      | 8      | 10     | 12     | 12     | 14     | 14     | 14     |
| Weight (in Kg) | 0.6    | 0.6    | 1      | 2      | 4      | 5.5    | 7      | 9      |
| Ref.           | 719108 | 719110 | 719115 | 719120 | 719125 | 719132 | 719140 | 719150 |

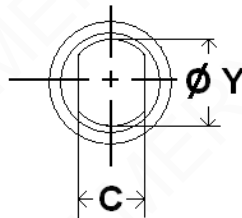


**2 PIECES F316L BALL VALVE WITH WELDING ENDS CLASS 800**

**SIZE SOCKET WELDING ENDS TYPES 7192 ( in mm ) :**



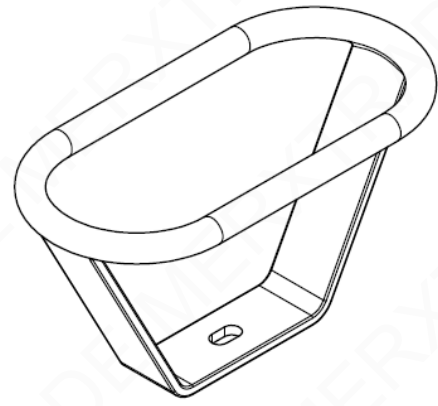
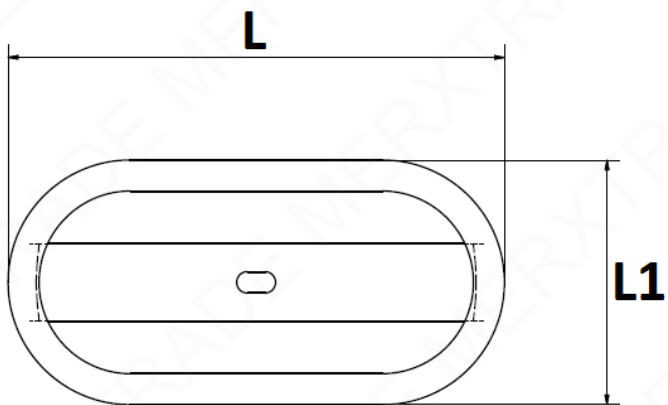
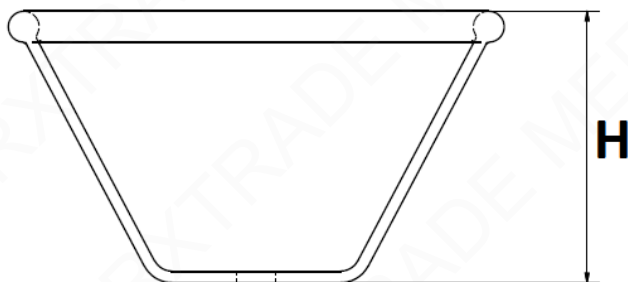
**Stem size :**



| DN             | 8      | 10     | 15     | 20     | 25     | 32     | 40     | 50     |
|----------------|--------|--------|--------|--------|--------|--------|--------|--------|
| Ø Bore         | 10     | 10     | 15     | 20     | 25     | 30     | 38     | 48     |
| L              | 267    | 267    | 275    | 290    | 310    | 320    | 335    | 355    |
| L1             | 67     | 67     | 75     | 90     | 105    | 120    | 135    | 155    |
| E              | 148    | 148    | 148    | 180    | 180    | 240    | 240    | 280    |
| H              | 72     | 72     | 75     | 85     | 95     | 100    | 105    | 115    |
| Ø SW           | 14.3   | 17.8   | 21.8   | 27.3   | 34     | 42.6   | 48.7   | 61.3   |
| L2             | 9.5    | 9.5    | 9.5    | 11.5   | 13     | 14     | 16     | 17     |
| Ø Di           | 7.7    | 10.8   | 13.9   | 18.8   | 24.3   | 32.5   | 38.1   | 49.2   |
| C              | 5      | 5      | 5.5    | 7.5    | 7.5    | 9      | 9      | 9      |
| Ø Y            | 8      | 8      | 10     | 12     | 12     | 14     | 14     | 14     |
| Weight (in Kg) | 0.6    | 0.6    | 1      | 2      | 4      | 5.5    | 7      | 9      |
| Ref.           | 719208 | 719210 | 719215 | 719220 | 719225 | 719232 | 719240 | 719250 |

**2 PIECES F316L BALL VALVE WITH WELDING ENDS CLASS 800**

**HANDWHEEL SIZE ( in mm ) :**



| DN             | 1/4"    | 3/8"    | 1/2"    | 3/4"    | 1"      | 1"1/4   | 1"1/2   | 2"      |
|----------------|---------|---------|---------|---------|---------|---------|---------|---------|
| H              | 77      | 70      | 70      | 69      | 64      | 77      | 80      | 80      |
| L              | 130     | 128     | 133     | 133     | 130     | 210     | 205     | 205     |
| L1             | 68      | 63      | 68      | 77      | 82      | 87      | 105     | 105     |
| Ref.           | 9830571 | 9830571 | 9830572 | 9830573 | 9830573 | 9830574 | 9830574 | 9830574 |
| Weight (in Kg) | 0.300   | 0.300   | 0.380   | 0.420   | 0.420   | 0.460   | 0.460   | 0.460   |

## 2 PIECES F316L BALL VALVE WITH WELDING ENDS CLASS 800

### STANDARDS :

- Manufacturer certified ISO 9001 : 2015
- DIRECTIVE 2014/68/EU : CE N° 0948  
Risk category III Module B+C2
- Pressure tests according to API 598, table 6
- Butt Welding ends according to ANSI B16.25
- Fire safe according to B.S. 6755 part.2
- Materials according to NACE MR 01-75
- ATEX Group II Category 2 G/2D Zone 1 & 21 Zone 2 & 22 ( optional marking )

**ADVICE :** Our opinion and our advice are not guaranteed and MERXTRADE shall not be liable for the consequences of damages. The customer must check the right choice of the products with the real service conditions.