

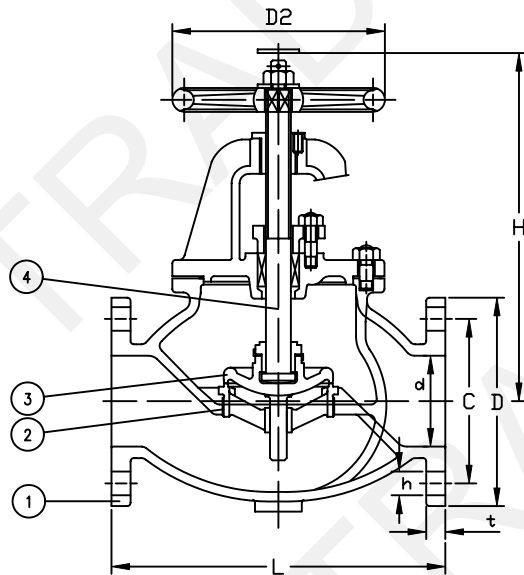
**MXT-F7305 - JIS 5K**  
**Cast Iron Globe Valve**

**MXT-F7353 - JIS 5K**  
**Cast Iron Globe Valve (SDNR)**

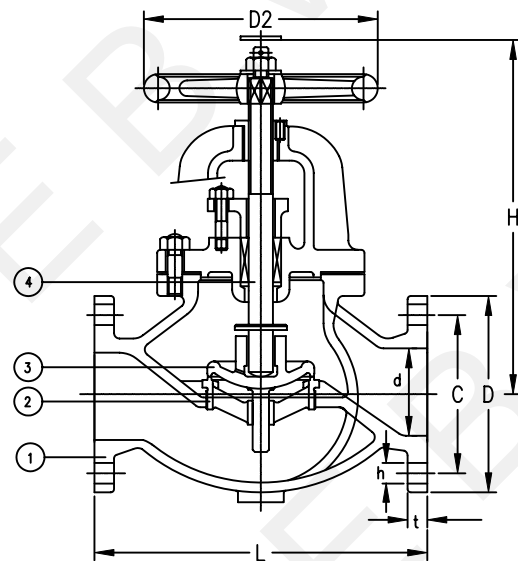
Accordance to JIS F7400

Flanges as per JIS B2220 -5K

**MXT-F7305**



**MXT-F7353 -SDNR**



Part Nr.	Material
1 - Body	Cast Iron
2 - Seat	Stainless.steel
3 - Disc	Stainless.steel
4 - Stem	Stainless.steel

Size	L	D	C	No.	h	t	H	D2	Kg
050	210	130	105	4	15	16	270	160	14.7
065	250	155	130	4	15	18	300	180	21.3
080	280	180	145	4	19	18	310	180	27.7
100	340	200	165	8	19	20	360	224	40.8
125	410	235	200	8	19	20	390	250	57.6
150	480	265	230	8	19	22	445	280	80.3
200	570	320	280	8	23	24	530	315	139
250	740	385	345	12	23	26	650	355	216
300	840	430	390	12	23	28	740	400	346
350	940	480	435	12	25	30	840	500	418
400	1050	540	495	16	25	30	940	630	600

Information provided as an indication and subject to possible modification