

MXT-F7307 - JIS 10K

Cast Iron Globe Valve

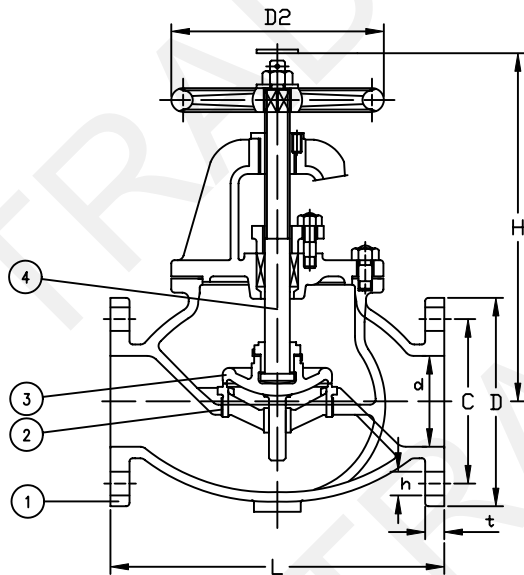
MXT-F7375 - JIS 10K

Cast Iron Globe Valve (SDNR)

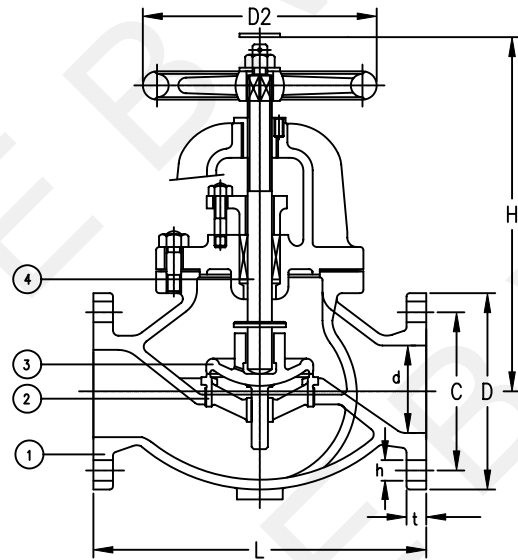
Accordance to JIS F7400

Flanges as per JIS B2220 - 10K

MXT-F7307



MXT-F7375 - SDNR



Part Nr.	Material
1 - Body	Cast Iron
2 - Seat	Stainless steel
3 - Disc	Stainless steel
4 - Stem	Stainless steel

Size	L	D	C	No.	h	t	H	D2	Kg
050	220	155	120	4	19	20	285	160	19.9
065	270	175	140	4	19	22	310	200	28.7
080	300	185	150	8	19	22	320	200	32.4
100	350	210	175	8	19	24	370	250	48.7
125	420	250	210	8	23	24	420	280	73.1
150	490	280	240	8	23	26	470	315	104
200	570	330	290	12	23	26	555	355	162
250	740	400	355	12	25	30	680	450	304
300	840	445	400	16	25	32	770	500	458