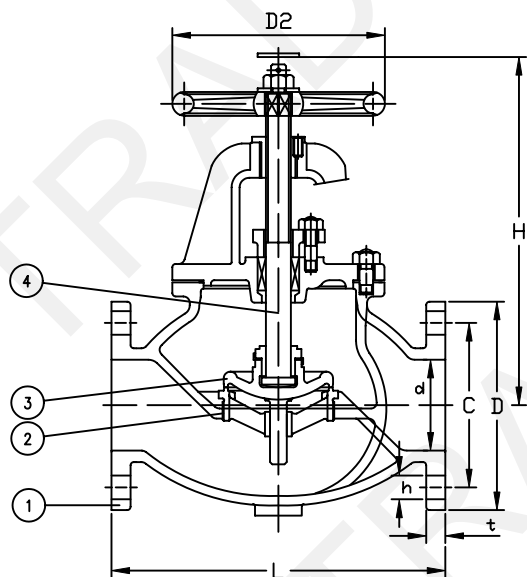


MXT-F7309 - JIS 16K Cast Iron Globe Valve

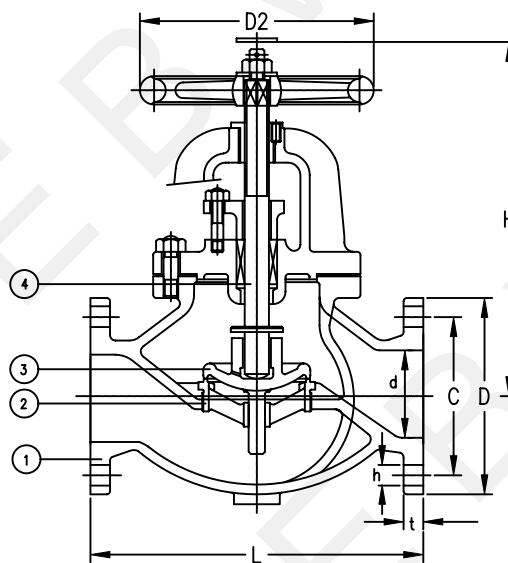
Accordance to JIS F7400

MXT-F7377 - JIS 16K Cast Iron Globe Valve (SDNR)

Flanges as per JIS B2220 - 16K



MXT-F7309



MXT-F7377 - SDNR

| Part Nr. | Material |
|----------|------------------|
| 1 - Body | Cast Iron |
| 2 - Seat | Stainless/bronze |
| 3 - Disc | Stainless/bronze |
| 4 - Stem | Stainless/brass |

| Nominal Diameter | Test Pressure MPa (kgf/cm ²) | |
|---------------------|--|-------------|
| | Body | Seat |
| 50 to 200 | 3.2 [33] | 2.38 [24.2] |

| Size | L | D | C | No. | h | t | H | D2 | Kg |
|------|-----|-----|-----|-----|----|----|-----|-----|------|
| 050 | 220 | 155 | 120 | 8 | 19 | 20 | 285 | 160 | 19.6 |
| 065 | 270 | 175 | 140 | 8 | 19 | 22 | 310 | 200 | 28.3 |
| 080 | 300 | 200 | 160 | 8 | 23 | 24 | 340 | 224 | 40.4 |
| 100 | 350 | 225 | 185 | 8 | 23 | 26 | 385 | 250 | 56.9 |
| 125 | 430 | 270 | 225 | 8 | 25 | 26 | 455 | 315 | 89.5 |
| 150 | 500 | 305 | 260 | 12 | 25 | 28 | 510 | 355 | 123 |
| 200 | 570 | 350 | 305 | 12 | 25 | 30 | 630 | 450 | 188 |

Information provided as an indication and subject to possible modification.
Colours and details can be different then shown in data sheets or pictures.
Merxtrade EV has no liability for any damages by use off any information,
displayed on these pages.