

MXT-F7313 - JIS 20K

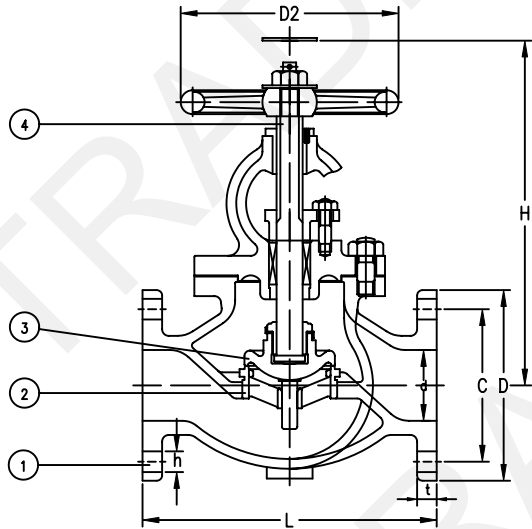
Cast Steel Globe Valve

MXT-F7473 - JIS 20K

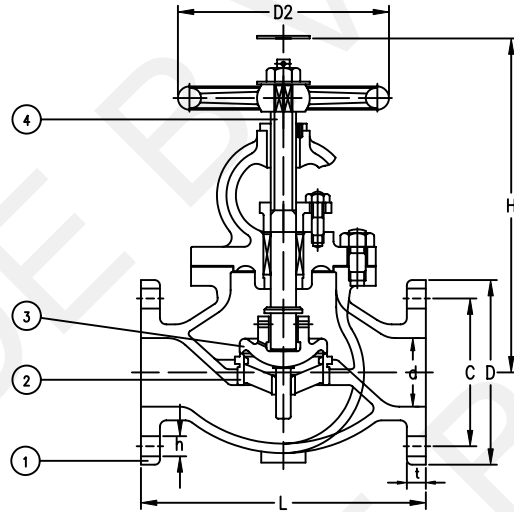
Cast Steel Globe Valve (SDNR)

Accordance to JIS F7400

Flanges as per JIS B2220 - 20K



MXT-F7313



MXT-F7473 - SDNR

Part Nr.	Material
1 - Body	Cast Steel
2 - Seat	Stainless/bronze
3 - Disc	Stainless/bronze
4 - Stem	Stainless/bronze

	Test pressure MPa [kgf/cm ²]
Body	5.00 [51.0]
Seat	3.67 [37.4]

Size	L	D	C	No.	h	t	H	D2	Kg
032	190	135	100	4	19	18	270	160	14.4
040	200	140	105	4	19	18	190	160	16
050	230	155	120	8	19	18	305	200	21.6
065	270	175	140	8	19	20	345	224	30.4
080	300	200	160	8	23	22	385	250	43.5
100	350	225	185	8	23	24	440	280	62.3
125	430	270	225	8	25	26	500	315	94.8
150	500	305	260	12	25	28	550	355	132
200	560	350	305	12	25	30	630	450	204
250	660	430	380	12	27	34	725	560	336

Information provided as an indication and subject to possible modification.
 Colours and details can be different then shown in data sheets or pictures.
 Merxtrade BV has no liability for any damages by use off any information,
 displayed on these pages.