

MXT-F7319 - JIS 10K

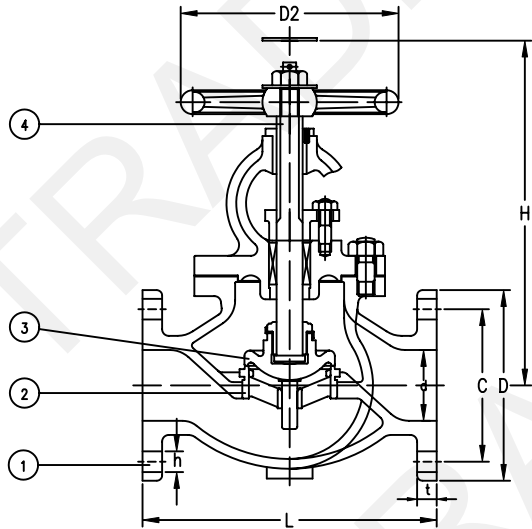
Cast Steel Globe Valve

MXT-F7471 - JIS 10K

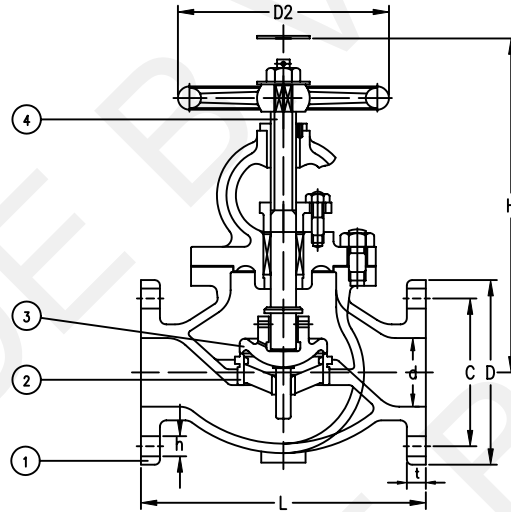
Cast Steel Globe Valve (SDNR)

Manufactured in accordance to JIS F7400

Flanges as per JIS B2220 - 10K



MXT-F7319



MXT-F7471 - SDNR

Part Nr.	Material
1 - Body	Cast Steel
2 - Seat	Stainless Steel
3 - Disc	Stainless Steel
4 - Stem	Stainless Steel

	Test pressure MPa [kgf/cm ²]
Body	2.06 [21.0]
Seat	1.51 [15.4]

Size	L	D	C	No.	h	t	H	D2	Kg
050	220	155	120	4	19	20	285	160	19.9
065	270	175	140	4	19	22	310	200	28.7
080	300	185	150	8	19	22	320	200	32.4
100	350	210	175	8	19	24	370	250	48.7
125	420	250	210	8	23	24	420	280	73.1
150	490	280	240	8	23	26	470	315	104
200	570	330	290	12	23	26	555	355	162
250	740	400	355	12	25	30	680	450	304
300	840	445	400	16	25	32	770	500	458

Information provided as an indication and subject to possible modification.
Colours and details can be different then shown in data sheets or pictures.
Merxtrade BV has no liability for any damages by use off any information,
displayed on these pages.