

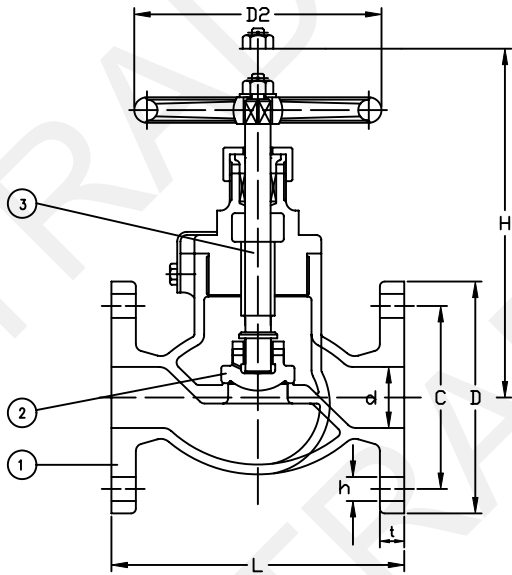
# MXT-F7351 - JIS 5K

# MXT-F7409 - JIS 16K

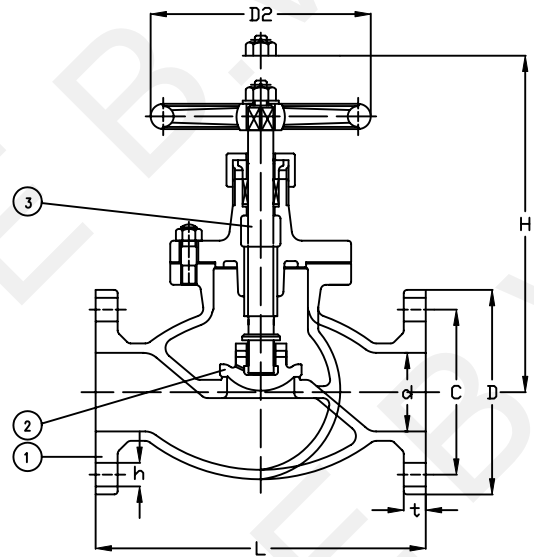
## Bronze Globe Valve (SDNR)

Accordance to JIS F7400

Flanges as per JIS B2220 - 5K or 16K



Screwed Bonnet  
for sizes 15A-40A



Bolted Bonnet for  
sizes 50A-65A

Part Nr.	Material
1 - Body	Bronze
2 - Disc	Bronze
3 - Stem	Brass

Nominal Pressure		5K	16K
Hydraulic	Body	12kg	38kg
	Seat	8kg	23kg

Type	Size	L	D	C	No.	h	t	H	D2
<b>F7351</b> <b>5K</b>	15	100	80	60	4	12	9	130	80
	20	110	85	65	4	12	10	140	100
	25	120	95	75	4	12	10	160	125
	32	140	115	90	4	15	12	170	125
	40	160	120	95	4	15	12	190	140
	50	210	130	105	4	15	14	235	140
<b>F7409</b> <b>16K</b>	65	250	155	130	4	15	14	260	160
	15	110	95	70	4	15	12	130	80
	20	120	100	75	4	15	14	140	100
	25	130	125	90	4	19	14	160	125
	32	160	135	100	4	19	16	170	125
40	180	140	105	4	19	16	190	140	

Information provided as an indication and subject to possible modification.  
Colours and details can be different than shown in data sheets or pictures.  
Merxtrade IV has no liability for any damages by use off any information,  
displayed on these pages.