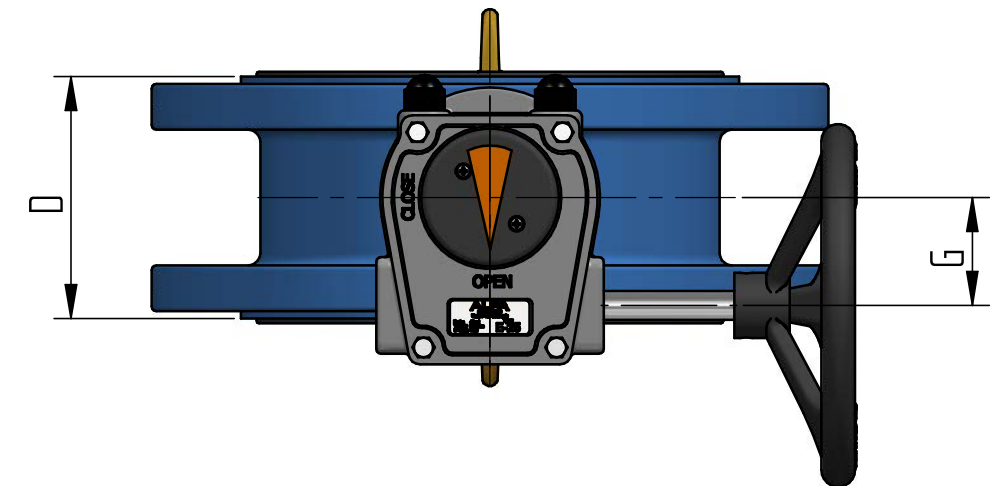
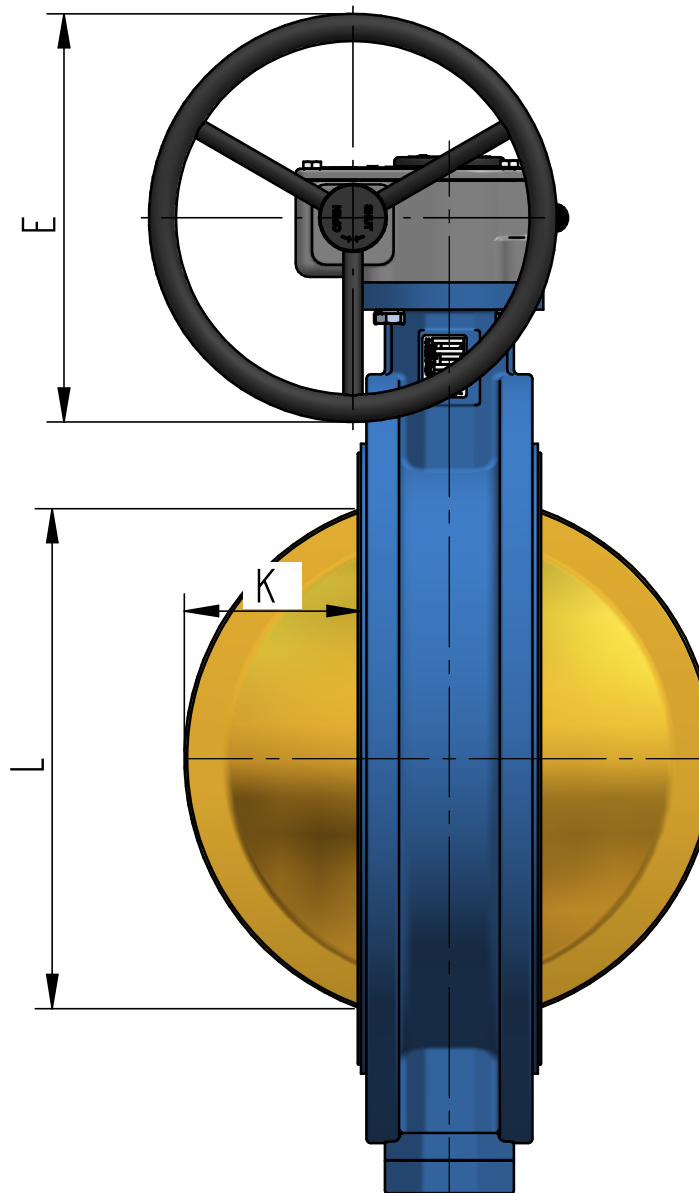
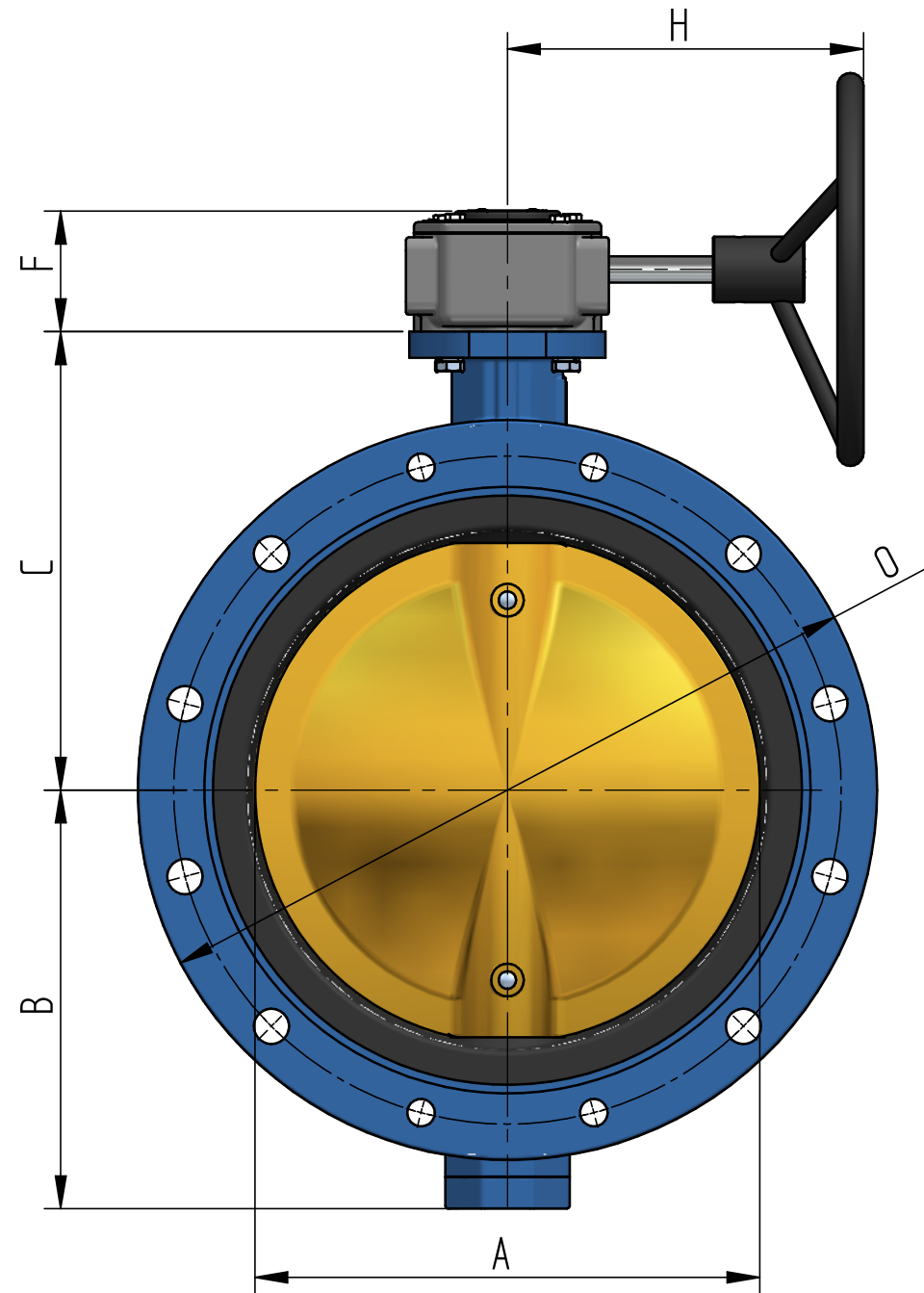


Size DN50 to DN150, Design EN593
 Face to face acc. JIS F-4780
 Flange connections: JIS B 2211 5K, 10K
 Temperature -40/+250°C
 Various pressure ratings up to 16 bar
 Top flange according ISO 5211
 Vacuum to 1*10⁻³ 0.2 Torr absolute

Standard available materials :			
BODY	DISC	SHAFT	SEAT
EN-JS1030	BS 1400 AB2	SS 1.4122	NBR -15°C / +80°C
A216 WCB	EN-JS1030	SS 431	EPDM -30°C / +110°C
SS 1.4408	SS 1.4408	SS 1.4462	Viton -0°C / +200°C
BS 1400 AB2	SD 2507	SD F53	Silicone -20°C / +250°C

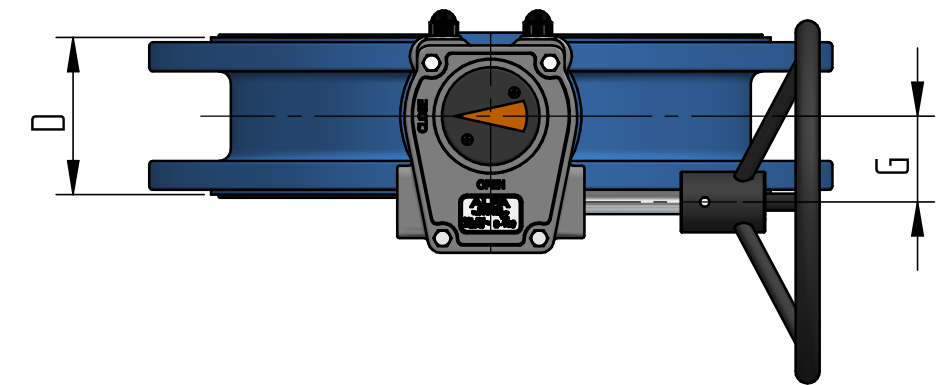


Size	Gearbox	A	B	C	D	E	F	G	H	K	L	O	Weight ± Kg
DN 50	12	52	77.5	118	45	SP-100	50	36.5	114	4	28	155	7.5
DN 65	12	63	87.5	126	45	SP-100	50	36.5	114	10	46	175	8.7
DN 80	12	78	92.5	133	60	SC-150	50	36.5	114	10	51	185	10.0
DN 100	12	103	105.0	147	60	SP-100	50	36.5	114	22	85	210	11.5
DN 125	12	125	125.0	160	100	SP-100	50	36.5	114	12	73	250	17.6
DN 150	12	155	140.0	180	100	SC-150	50	36.5	114	28	120	280	21.4



Size DN200 to DN600, Design EN593
 Face to face acc. JIS F-4780
 Flange connections: JIS B 2211 5K, 10K
 Temperature -40/+250°C
 Various pressure ratings up to 16 bar
 Top flange according ISO 5211
 Vacuum to 1*10⁻³ 0.2 Torr absolute

Standard available materials :			
BODY	DISC	SHAFT	SEAT
EN-JS1030	BS 1400 AB2	SS 1.4122	NBR -15°C / +80°C
A216 WCB	EN-JS1030	SS 431	EPDM -30°C / +110°C
SS 1.4408	SS 1.4408	SS 1.4462	Viton -0°C / +200°C
BS 1400 AB2	SD 2507	SD F53	Silicone -20°C / +250°C



Size	GEARBOX	A	B	C	D	E	F	G	H	K	L	O	Weight ± Kg
DN 200	25	201	165	204	100	SC-150	62	44.6	151	51	176	330	26.3
DN 250	55	249	200	245	110	SW-250	73	55	235	70	226	400	44.1
DN 300	55	302	222.5	270	110	SW-250	73	55	235	94	277	445	51.3
DN 350	100	340	295	315	120	SW-300	95	71	272	107	312	490	79.7
DN 400	100	397	320	350	130	SW-300	95	71	272	130	368	565	102.1
DN 450	200	438	353	375	150	SW-400	102	86	310	145	415	620	138.0
DN 500	200	489	387	415	160	SW-400	102	86	310	164	462	675	160.0
DN 600	350	590	452	562	170	SW-500	106	104.5	336	211	568	795	233.7